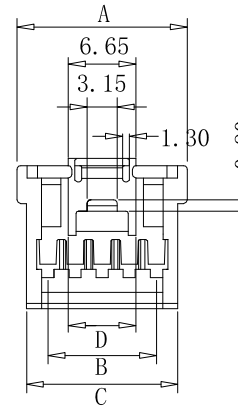
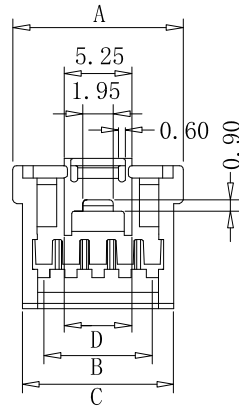
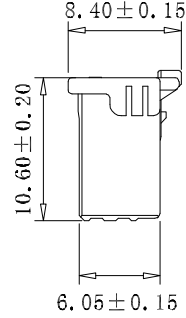
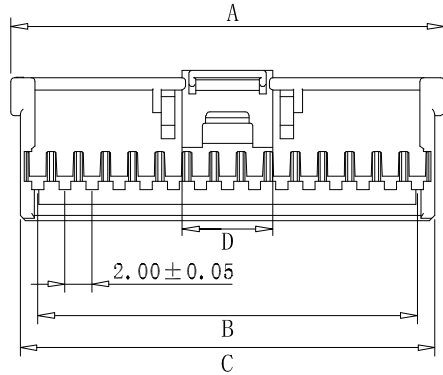


RoHS

- Specifications(规格):  
 Voltage rating(额定电压): 250V AC / DC  
 Current rating(额定电流): 2A AC / DC  
 Withstanding voltage(耐压值): 1000V AC/minute  
 Temperature range(工作温度): -25°C~+85°C  
 Insulation resistance(绝缘电阻): ≥1000MΩ  
 Contact resistance(接触电阻): ≤10mΩ  
 After environmental testing(环境测试后): ≤20mΩ

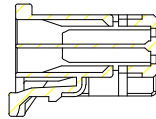
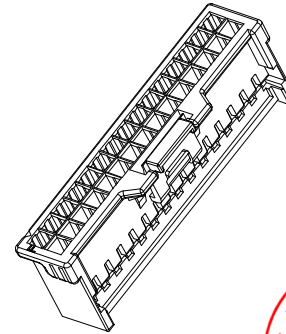
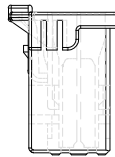
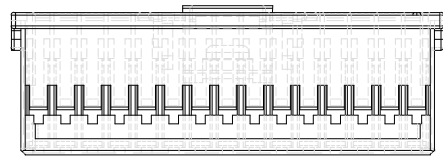
A2000 H X-2xXX X-N0 XX  
 ① ② ③ ④ ⑤ ⑥

- ① 系列
- ② 类别: H-HSG
- ③ 外观形态: 空码-普通  
PIN数或防呆KEY形态: 双排-2xXX
- ④ 塞PIN及特殊码
- ⑤ 材质: NO-PA66 UL94V-0
- ⑥ 颜色:  
⑥ 空码-本色或普通色  
BK-Black

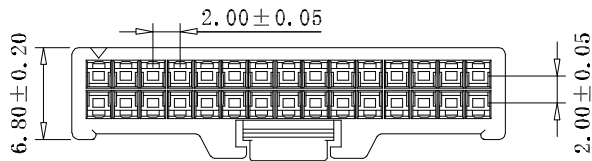


2x5Pin

2x6Pin



截面 B-B



Poles	Dimension(mm)			
	A	B	C	D
10	12.00	8.00	10.60	5.25
12	14.00	10.00	12.60	6.65
14	16.00	12.00	14.60	6.65
16	18.00	14.00	16.60	6.65
18	20.00	16.00	18.60	6.65
20	22.00	18.00	20.60	6.65
22	24.00	20.00	22.60	6.65
24	26.00	22.00	24.60	6.65
26	28.00	24.00	26.60	6.65
28	30.00	26.00	28.60	6.65
30	32.00	28.00	30.60	6.65
32	34.00	30.00	32.60	6.65
34	36.00	32.00	34.60	6.65
36	38.00	34.00	36.60	6.65
38	40.00	36.00	38.60	6.65
40	42.00	38.00	40.60	6.65



A2000H-2xXX-N0	PA66 UL94V-0	A2000T	A2000W	1,000Pcs
PART NO	Material	Suitable GYA Terminal	Mates With GYA Wafer	Q' ty/Bag

GENERAL TOLERANCE	
.X	±0.30
.XX	±0.20
.XXX	±0.10
X.°	±2°
PROJECT	

**GYA**  
Connectors

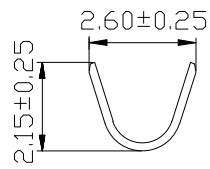
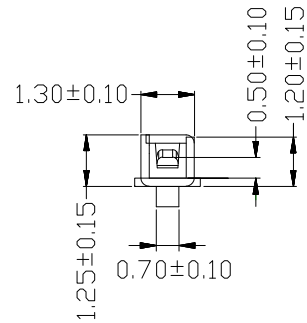
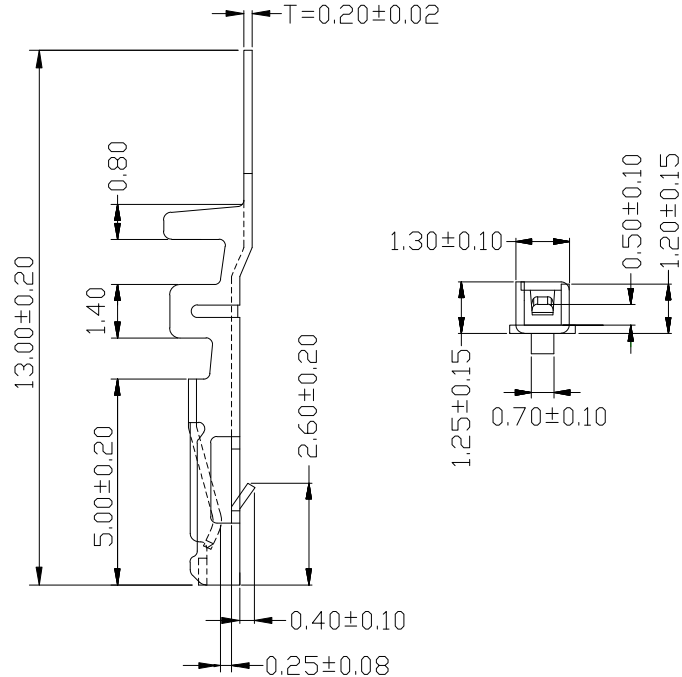
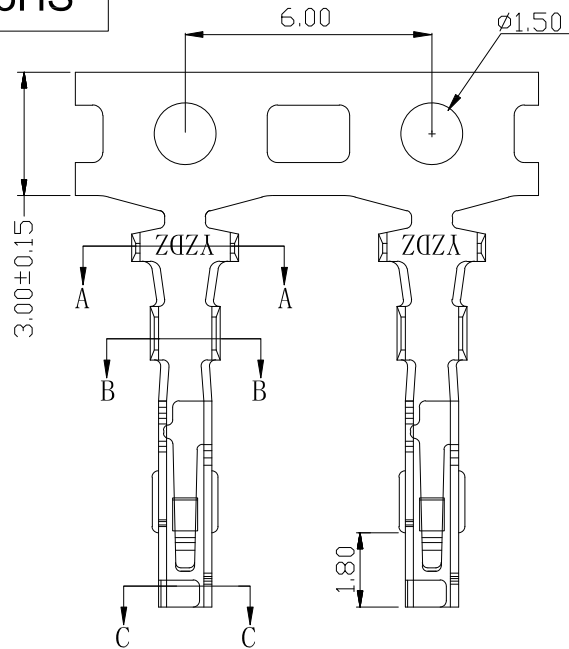
东莞市国亚电子有限公司  
Dong Guan Guo Ya Connectors co., Ltd.

APPROVAL	CHECK	DRAWN	DATE
Yangzhengguo	Yangjinyi	Lvtiansheng	2016/08/26

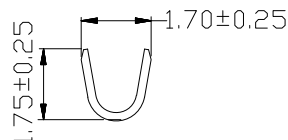
PART NO.				
A2000H-2xXX-N0				
TITLE				
2.00mm Crimp Style Connectors				
UNIT	SCALE	SHEET	REV	NUMBER
mm	1:1	1/3	A0	A-000

DATE	REV	ECN NO.	DESCRIPTION	MODIFY	APPROVAL
1					

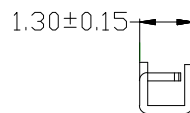
RoHS



Section: A-A



Section: B-B



- Specifications(规格):  
 Voltage rating(额定电压): 250V AC / DC  
 Current rating(额定电流): 2A AC / DC  
 Withstanding voltage(耐压值): 500V AC/minute  
 Temperature range(工作温度): -25°C~+85°C  
 Insulation resistance(绝缘电阻): ≥1000MΩ  
 Contact resistance(接触电阻): ≤20mΩ  
 After environmental testing(环境测试后): ≤20mΩ

A2000 T X-P SN X-X  
 ① ② ③ ④ ⑤ ⑥

- ① 系列
- ② 类别:  
T-端子
- ③ 外观形态:  
空码-普通脚
- ④ 材质:  
P-磷铜
- ⑤ 电镀类别:  
SN-镀亮锡(70-100u")
- ⑥ 电镀方式:  
空码-先冲后镀 B-先镀后冲
- ⑦ 模号/MARK及特殊码



A2000T-PV01	Phosphor Bronze	AWG#22-28	1.40mm(Max)	Stamping Before Pating:10~20u" Ni;Whole Gold :1u".	A2000H	10,000Pcs
A2000T-PSN	Phosphor Bronze	AWG#22-28	1.40mm(Max)	Stamping Before Plating:10u" Ni;60u"Sn		
PART NO	Material	Wire Range	Insulation O.D.	Finish	Used In GYA Housing	Q' ty/Reel

GENERAL TOLERANCE	
.X	±0.30
.XX	±0.20
.XXX	±0.10
X.°	±2°

**GYA** 东莞市国亚电子有限公司  
 Connectors Dong Guan Guo Ya Connectors co., Ltd.

APPROVAL CHECK DRAWN DATE



PROJECT  
 Yangzhengguo Yangjinyi Lvtiansheng 2016/08/26

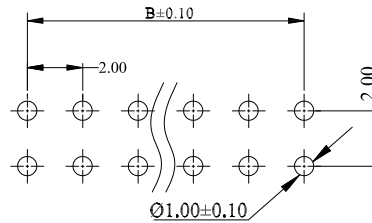
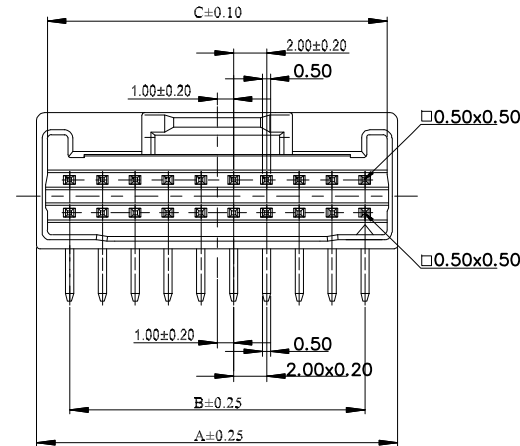
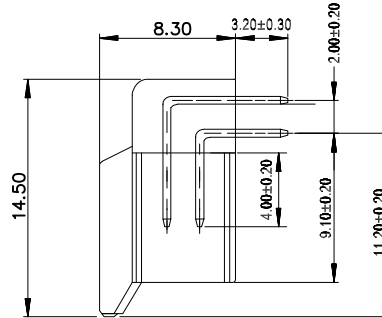
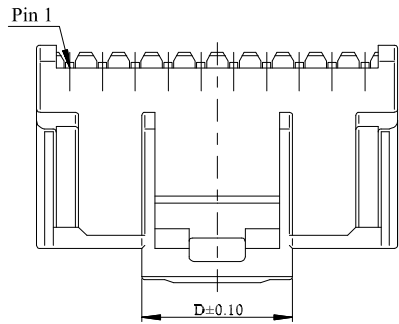
PART NO.  
 A2000T-XXX

TITLE  
 2.00mm Crimp Style Connectors

UNIT	SCALE	SHEET	REV	NUMBER
mm	1:1	1/3	A0	A-000

DATE	REV	ECN NO.	DESCRIPTION	MODIFY	APPROVAL

RoHS



P.C.B LAYOUT



■ Specifications(规格):

- Voltage rating(额定电压): 250V AC / DC
- Current rating(额定电流): 2A AC / DC
- Withstanding voltage(耐压值): 800V AC/minute
- Temperature range(工作温度): -25°C~+105°C
- Insulation resistance(绝缘电阻): ≥1000MΩ
- Contact resistance(接触电阻): ≤10mΩ
- After environmental testing(环境测试后): ≤20mΩ

A2000 W R X-2\*XX D-N0 SN XX



- ①系列
- ②类别: W-WAFER类
- ③外观形态: R-90°
- ④成型方式:  
空码-DIP
- ⑤PIN数:  
双排-2\*XX
- ⑥特殊码: D-中间带大卡点
- ⑦材质: NO-PA66 UL94V-0 46-PA46 UL94V-0
- 电镀类别: G\*\*-镀金 V\*\*-镀金
- ⑧ SN-镀亮锡(70-100U") SW-镀雾锡HS-高温锡
- ⑨颜色: 空码-本色或普通色

Poles	Dimension(mm)			
	A	B	C	D
10	12.00	8.00	10.70	7.30
12	14.00	10.00	12.70	9.20
14	16.00	12.00	14.70	9.20
16	18.00	14.00	16.70	9.20
18	20.00	16.00	18.70	9.20
20	22.00	18.00	20.70	9.20
22	24.00	20.00	22.70	9.20
24	26.00	22.00	24.70	9.20
26	28.00	24.00	26.70	9.20
28	30.00	26.00	28.70	9.20
30	32.00	28.00	30.70	9.20
32	34.00	30.00	32.70	9.20
34	36.00	32.00	34.70	9.20
36	38.00	34.00	36.70	9.20
38	40.00	36.00	38.70	9.20
40	42.00	38.00	40.70	9.20

A2000WR-2*XXD-46SN	PA46 UL 94V-0	Brass	Tin-Plated	A2000H	1,000Pcs
A2000WR-2*XXD-N0SN	PA66 UL 94V-0				
PART NO	Material	Material(Pin)	Finish(Pin)	Mates With GYA Housing	Q' ty/Bag

GENERAL TOLERANCE	
.X	±0.30
.XX	±0.20
.XXX	±0.10
X.°	±2°
PROJECT	



东莞市国亚电子有限公司  
Dong Guan Guo Ya Connectors co., Ltd.

APPROVAL	CHECK	DRAWN	DATE
Yangzhengguo	Yangjinyi	Lviansheng	2016/08/26

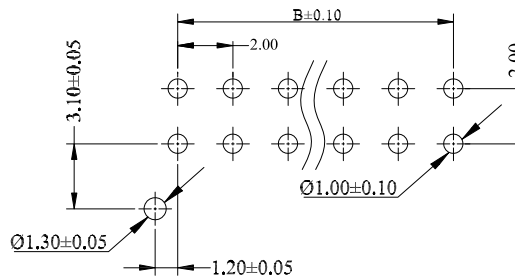
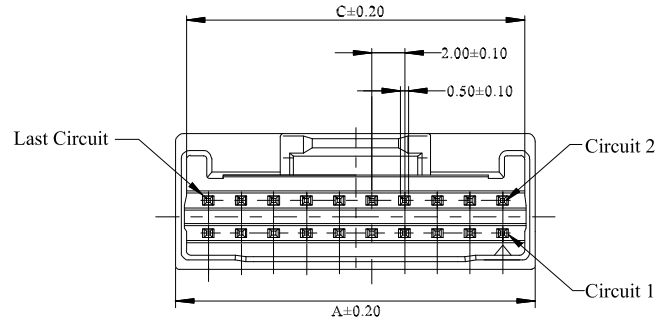
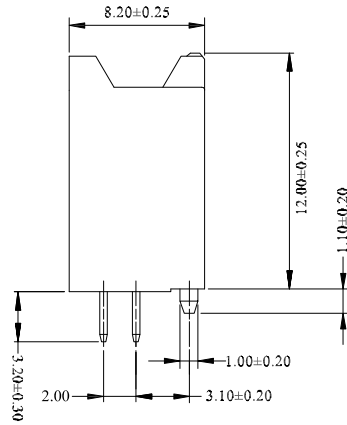
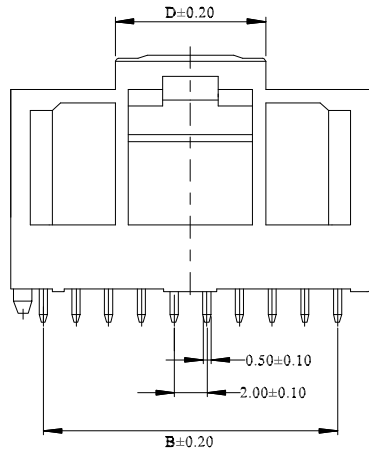
PART NO.  
A2000WR-2\*XX

TITLE  
2.00mm Crtmp Style Connectors

UNIT	SCALE	SHEET	REV	NUMBER
mm	1:1	1/3	A0	A-000

DATE	REV	ECN NO.	DESCRIPTION	MODIFY	APPROVAL
1					
2					
3					
4					
5					

RoHS



P.C.B LAYOUT

Specifications(规格):

- Voltage rating(额定电压): 250V AC / DC
- Current rating(额定电流): 2A AC / DC
- Withstanding voltage(耐压值): 800V AC/minute
- Temperature range(工作温度): -25°C~+85°C
- Insulation resistance(绝缘电阻): ≥1000MΩ
- Contact resistance(接触电阻): ≤10mΩ
- After environmental testing(环境测试后): ≤20mΩ

A2000 W V X-2\*XX D-46 SN XX

- ①系列
- ②类别: W-WAFER类
- ③外观形态: V-180°
- ④成型方式: 空码-DIP
- ⑤PIN数: 双排-2\*XX
- ⑥特殊码: D-中间带大卡点
- ⑦材质: N0-PA86 UL94V-0 46-PA46 UL94V-0
- ⑧电镀类别: SN-镀亮锡(70-100U")
- ⑨颜色: 空码-本色或普通色

Poles	Dimension(mm)			
	A	B	C	D
10	12.00	8.00	10.70	7.30
12	14.00	10.00	12.70	9.20
14	16.00	12.00	14.70	9.20
16	18.00	14.00	16.70	9.20
18	20.00	16.00	18.70	9.20
20	22.00	18.00	20.70	9.20
22	24.00	20.00	22.70	9.20
24	26.00	22.00	24.70	9.20
26	28.00	24.00	26.70	9.20
28	30.00	26.00	28.70	9.20
30	32.00	28.00	30.70	9.20
32	34.00	30.00	32.70	9.20
34	36.00	32.00	34.70	9.20
36	38.00	34.00	36.70	9.20
38	40.00	36.00	38.70	9.20
40	42.00	38.00	40.70	9.20

A2000WV-2*XXD-46SN	PA46 UL 94V-0	Brass	Tin-Plated	A2000H	1,000Pcs
A2000WV-2*XXD-N0SN	PA66 UL 94V-0				
PART NO	Material	Material(Pin)	Finish(Pin)	Mates With GYA Housing	Q' ty/Bag



GENERAL TOLERANCE					APPROVAL				PART NO.				
.X ±0.30					<b>GYA</b> 东莞市国亚电子有限公司 Dong Guan Guo Ya Connectors co., Ltd.				A2000WV-2*XX				
.XX ±0.20									TITLE				
.XXX ±0.10									2.00mm Crimp Style Connectors				
X.° ±2°									UNIT SCALE SHEET REV NUMBER				
DATE	REV	ECN NO.	DESCRIPTION	MODIFY	APPROVAL	CHECK	DRAWN	DATE	mm	1:1	1/3	A0	A-000
					PROJECT	Yangzhengguo	Yangjinyi	Lvtiansheng					