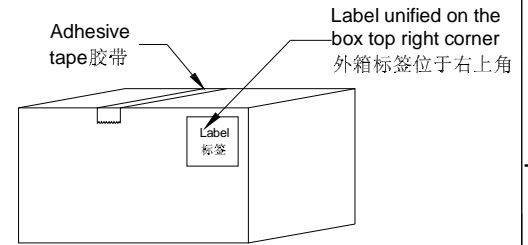
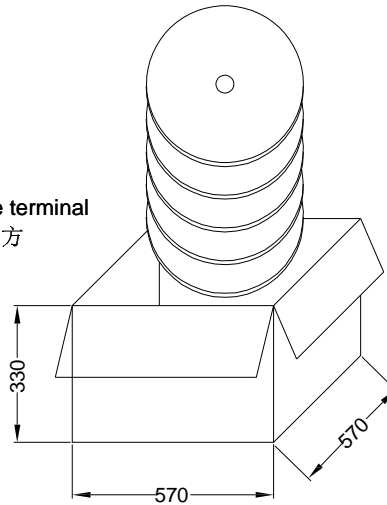
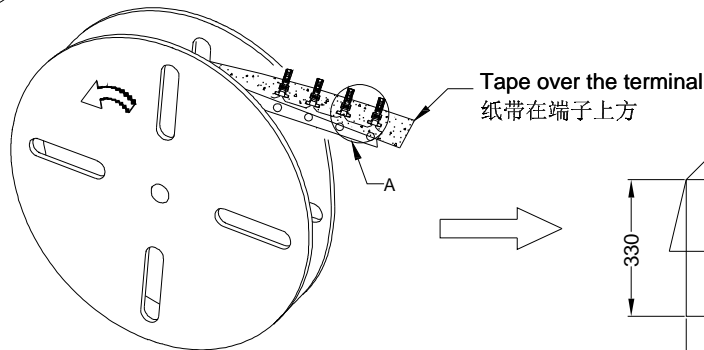
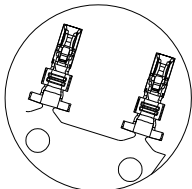
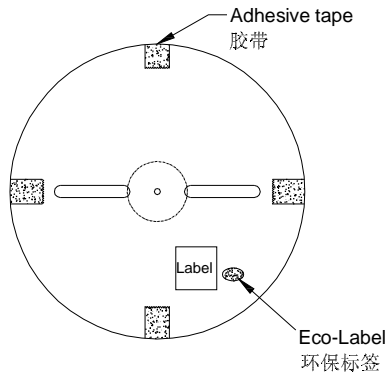


RoHS

包装图

Note 注解:

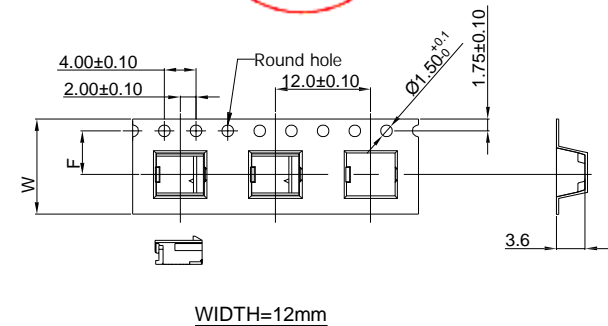
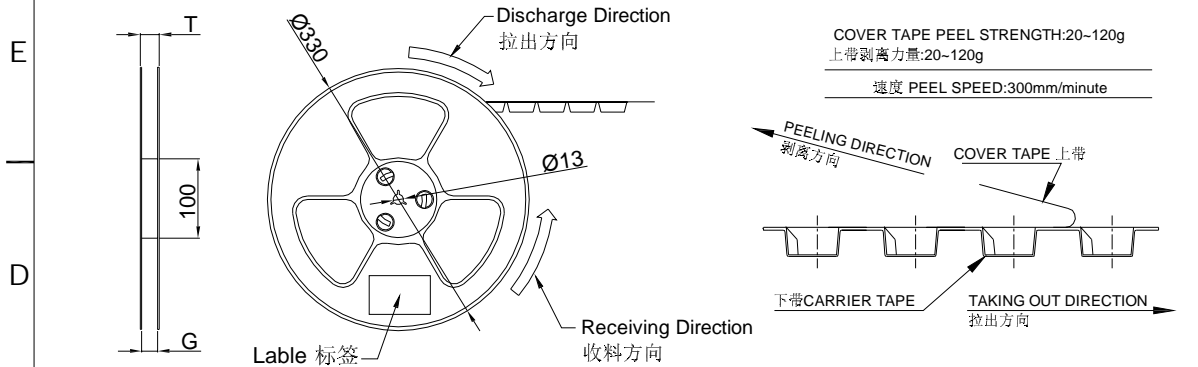
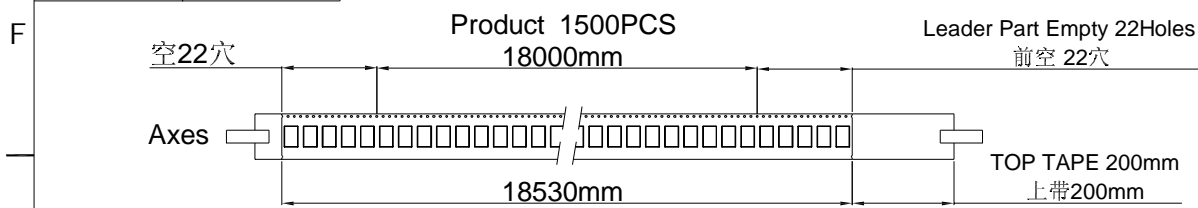
- Quantity 数量:
8K PCS/REEL 一卷10K/PCS
10 REEL/BOX 一箱12卷
80K PCS/BOX 一箱120K/PCS
- Each reel and outer box must be labeled and Eco-Label Respectively labeled
每盘和外箱都必须有标签及环保标签分别标示
- Terminal winding direction as shown
端子缠绕方向如左图所示
- There shall be no dirt such as deformation phenomenon, Mantissa box fillers must be used
每箱不可有脏污, 变形现象, 尾数箱必须用填充物
- Carton material: K=K, Carton thickness: 6~7mm
纸箱材质:K=K, 纸箱厚度:6~7mm



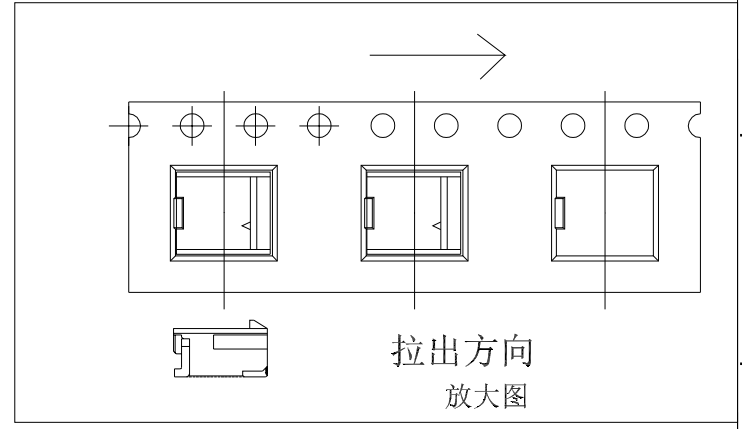
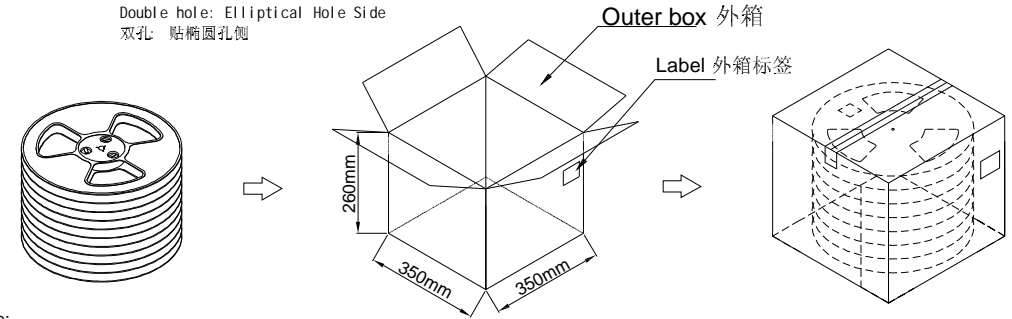
					GENERAL TOLERANCE .X ±0.35 .XX ±0.25 .XXX ±0.15 X.° ±0.2° 视角				GYA 东莞市国亚电子有限公司 Connectors Dong Guan Guo Ya Connectors co., l td.				PART NO. A1801T-P08SH-01Q											
					APPROVAL Yangzhengguo				CHECK Yangjinyi				DRAWN Lvtiansheng				DATE 2016/08/26				TITLE: 1.80mm Terminal Packing			
DATE	REV	ECN NO.	DESCRIPTION	MODIFY	APPROVAL							UNIT		SCALE		SHEET		REV		NUMBER				
1												mm		1:1		1/1		A0		A-053				

RoHS

包装图



Lable 标签
 Single hole: None Hole Side
 单孔: 贴无键孔侧
 Double hole: Elliptical Hole Side
 双孔: 贴椭圆孔侧



- Note:
- Carrier Camber Is Within 1mm In 100mm; 带长100mm 内容许弯曲度1mm
 - 10 Sprocket Hole Pitch Cumulative Tolerance±0.2MM; 圆孔十个孔距离累计允许公差为±0.2mm
 - Carrier tape material for PS; 下带材质为PS材质; Color 颜色: Natural透明色
 - bracer保护带; Color 颜色: Natural透明色, 厚度0.40mm最小
 - Thickness=0.30±0.05; 材料厚度为0.30±0.05mm
 - Carton material 纸箱材质: K=K; Carton Thickness 纸箱厚度: 6~7mm

A1801WRS-1x02-LPNB05BR001Q	Part No.	W	S	F	T (MAX)	G (MAX)	REEL /PCS	CARTON /R	CARTON /PCS
	A1801WRS-02A-AHF	12	/	5.50	16.50	12.40	1500	13R	19.5K

DATE	REV	ECN NO.	DESCRIPTION	MODIFY	APPROVAL
1					
2					
3					
4					

GENERAL TOLERANCE	
.X	±0.35
.XX	±0.25
.XXX	±0.15
X.°	±0.2°
视角	

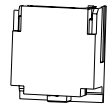
GYA 东莞市国亚电子有限公司
 Dong Guan Guo Ya Connectors co., l td.

APPROVAL	CHECK	DRAWN	DATE
Yangzhengguo	Yangjinyi	Lvtiansheng	2016/08/26

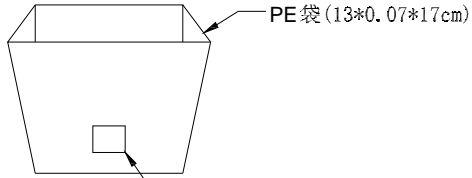
PART NO. A1801WRS-1x02-LPNB05BR001Q				
TITLE: 1.80mm Connectors SMT 90° Package				
UNIT	SCALE	SHEET	REV	NUMBER
mm	1:1	1/1	A0	A-000

RoHS

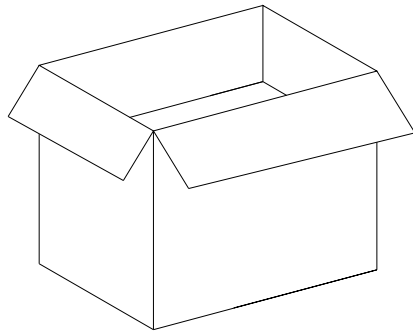
包装图



干燥剂



PE袋 (13*0.07*17cm)



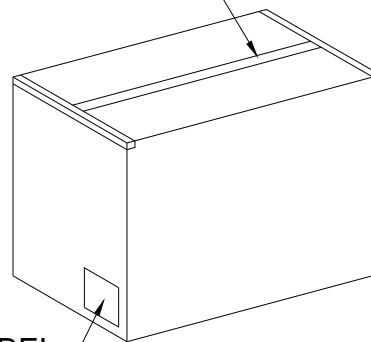
纸箱: 34*34*15.5cm

Note注解:

1. Put the housing in PE bag along with a bag of desiccant, then sealed the PE bag and paste a label.
将 Housing放入PE袋内, 并放入一包干燥剂, 并将PE袋封好. 贴上标签.
2. Put PE bag packed products in cartons, Packing detail see the table below
将装好产品的PE袋放入纸箱内, 详细包装见下表
3. Label depends on customer request, carton opening joint with transparent tape
标签依客户要求而定, 纸箱开口处用透明胶带贴合.

Part No.	PIN	PE Bag Inner Carton			Total
		PCS/PE	BAG/Carton	SIZE (CM)	
A1801RS-1x02-LPNBR01Q	02	2000	40	34x34x15.5	80,000

胶带ADHESIVE TAPE



标签 LABEL



GENERAL TOLERANCE

.X ±0.35

.XX ±0.25

.XXX ±0.15

X° ±0.2°

视角



东莞市国亚电子有限公司
Dong Guan Guo Ya Connectors co.,l td.

APPROVAL

CHECK

DRAWN

DATE

Yangzhengguo

Yangjinyi

Lvtiansheng

2016/08/26

PARTNO.

A1801RS-1x02-LPNBR01Q

TITLE:

1.80mm Housing Package

UNIT

SCALE

SHEET

REV

NUMBER

mm

1:1

1/1

A0

A-000

DATE

REV

ECN NO.

DESCRIPTION

MODIFY

APPROVAL