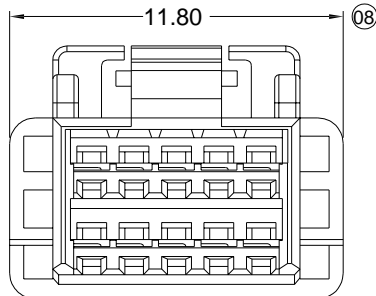
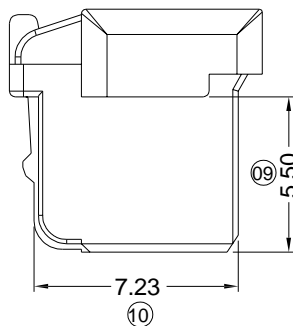
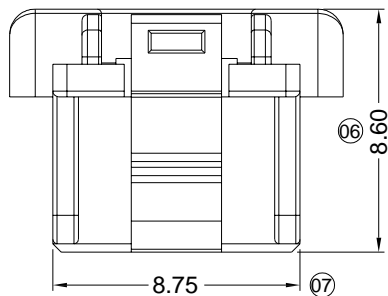
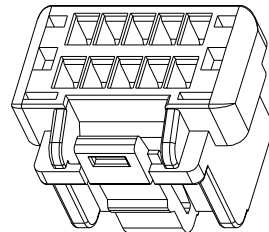
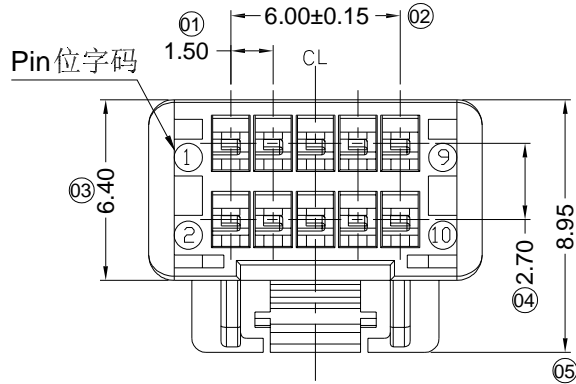


RoHS



■ Specifications :

- Voltage rating: 100V AC / DC
- Current rating: 2A AC / DC
- Withstanding voltage: 500V AC/minute
- Temperature range: -40° ~+105°
- Insulation resistance: ≥500MΩ
- Contact resistance: ≤20mΩ
- After environmental testing: ≤40mΩ
- Mates With GYA Housing : A1508T

A1508 H X - 2*XX X - PT XX

① ② ③ ④ ⑤ ⑥ ⑦

- ① Series No.
- ② Category: H-HSG
- ③ Appearance type: Blank-Ordinary
- ④ Row No.-Pin No.: 2*05- 2*5PIN
- ⑤ Plug the Pin & Special No. Blank-Ordinary
- ⑥ Material : PT-PBT 94V-0
- ⑦ Color: Blank-Natural Color

A

DATE	REV	ECN NO.	DESCRIPTION	MODIFY	APPROVAL
1	2	3	4	5	6

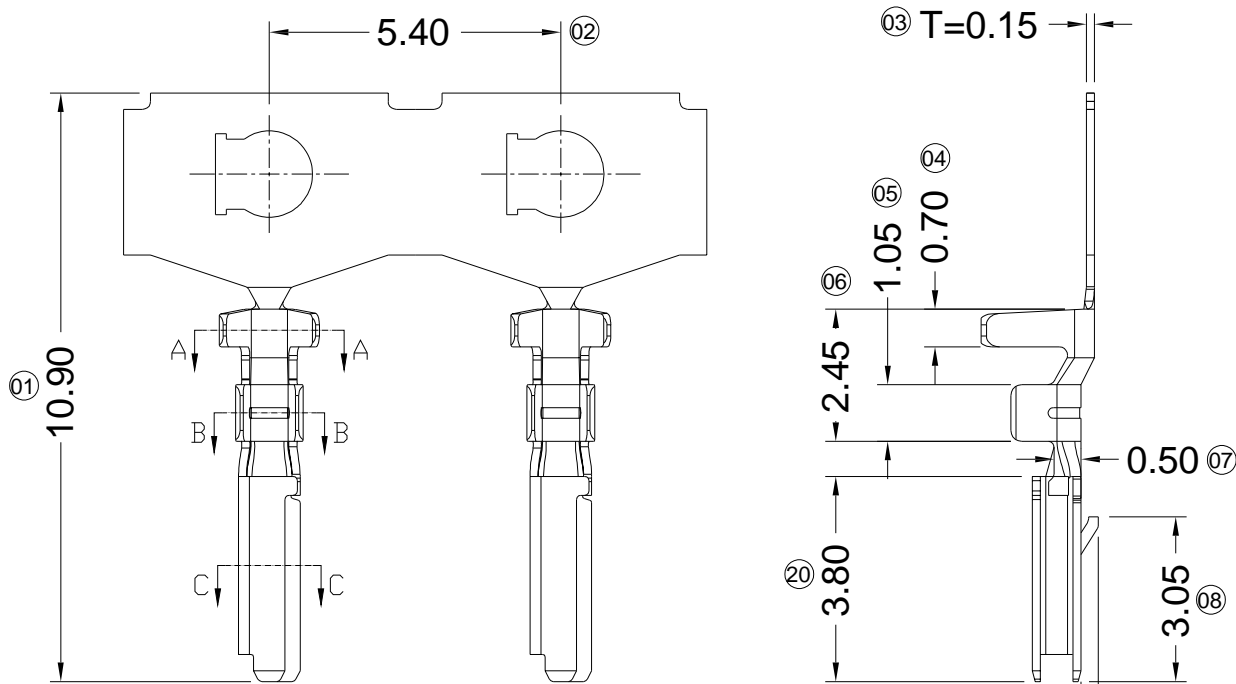
GENERAL TOLERANCE
.X ±0.30
.XX ±0.20
.XXX ±0.10
X.° ±2°
PROJECT

	东莞市国亚电子有限公司 Dong Guan Guo Ya Connectors co., l td.			
	APPROVAL	CHECK	DRAWN	DATE
Yangzhengguo	Yangjinyi	Lvtiansheng	2016/08/26	

PART NO.				
A1508H-2*05-PT				
TITLE				
1.50mm Crimp Style Connectors				
UNIT	SCALE	SHEET	REV	NUMBER
mm	1:1	1/1	A0	A-000

A

RoHS



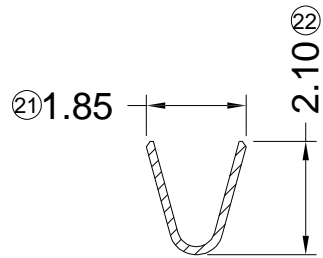
■ Specifications :

- Voltage rating: 100V AC / DC
- Current rating: 2A AC / DC
- Withstanding voltage: 500V AC/minute
- Temperature range: -40° ~+105°
- Insulation resistance: ≥500MΩ
- Contact resistance: ≤20mΩ
- After environmental testing: ≤40mΩ
- Material(Pin): Phosphor bronze
- Mates With GYA Housing : A1508H

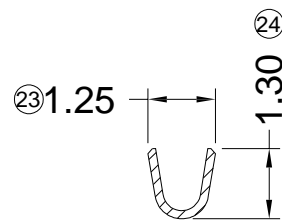
A1508 T X - P SN X - X

① ② ③ ④ ⑤ ⑥ ⑦

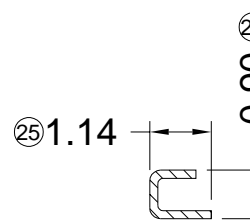
- ① Series Number
- ② Category: T-terminal
- ③ Shape: Blank-ordinary
- ④ Material: P-Phosphor bronze
- ⑤ Plating code: SN-Bright tin plating
- ⑥ Plating method:
Blank-Stamping before plating
- ⑦ Mold No./Mark/Special No.



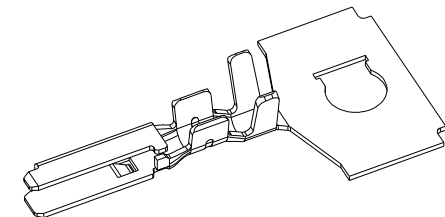
SECTION A-A
SCALE 1:1



SECTION B-B
SCALE 1:1



SECTION C-C
SCALE 1:1



A

DATE	REV	ECN NO.	DESCRIPTION	MODIFY	APPROVAL
1					
2					
3					
4					

GENERAL TOLERANCE
.X ±0.30
.XX ±0.20
.XXX ±0.10
X.° ±2°
PROJECT
Yangzhengguo



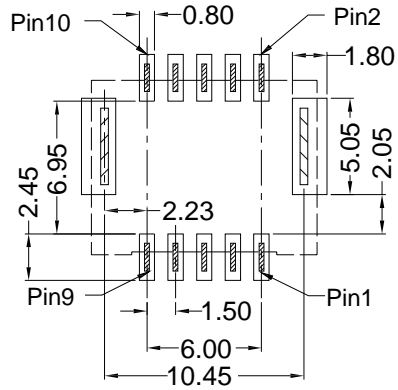
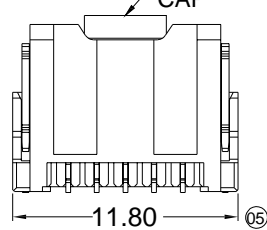
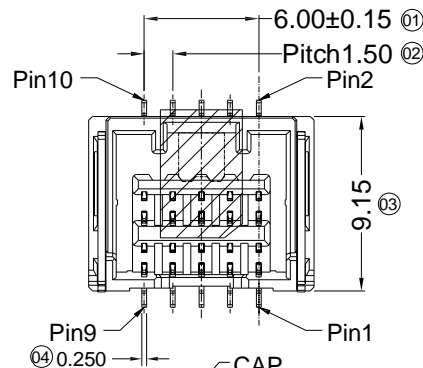
东莞市国亚电子有限公司
Dong Guan Guo Ya Connectors co., l td.

APPROVAL	CHECK	DRAWN	DATE
Yangjinyi	Lvtiansheng	Lvtiansheng	2016/08/26

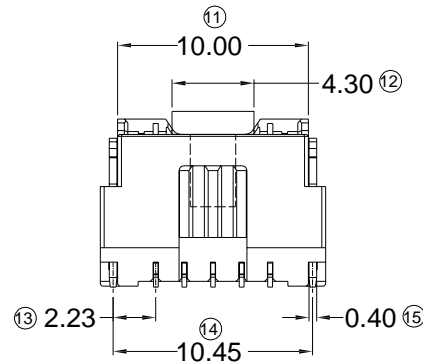
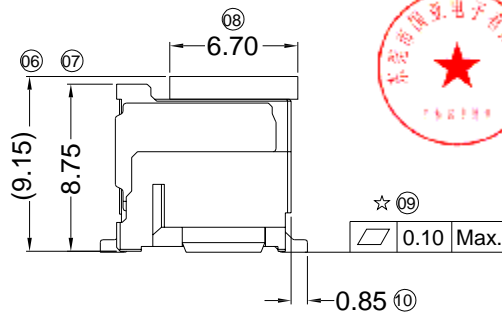
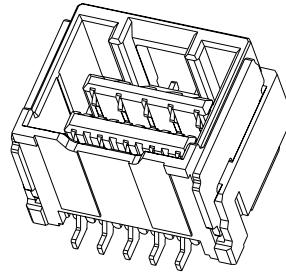
PART NO. A1508T-PSN				
TITLE 1.50mm Crimp Style Connectors				
UNIT	SCALE	SHEET	REV	NUMBER
mm	1:1	1/1	A0	A-014

A

RoHS



RECOMMENDED P.C.B LAYOUT
(TOLERANCE:±0.05)



Rear View

Specifications :

- Voltage rating: 100V AC / DC
- Current rating: 2A AC / DC
- Withstanding voltage: 500V AC/minute
- Temperature range: -40° ~+105°
- Insulation resistance: ≥500MΩ
- Contact resistance: ≤20mΩ
- After environmental testing: ≤40mΩ
- Material(Pin): Phosphor bronze
- Material(Stator): Brass
- Mates With GYA Housing : A1508H-2*05

A1508 W V S - 2*05 X- LP SW XX
① ② ③ ④ ⑤ ⑥ ⑦ ⑧ ⑨

- ① Series No.
- ② Category: W-wafer
- ③ Welding Board Angle: V- Straight 180°
- ④ Welding Way: S-SMT
- ⑤ Row No.-Pin No.: 2*05-2*05P
- ⑥ Plug the Pin & Special No.:
- ⑦ Material: LP -LCP 94V-0 ;
- ⑧ Planting Category: SW- Matte Tin Plating
- ⑨ Color: Blank-Natural Color

GENERAL TOLERANCE	
.X	±0.30
.XX	±0.20
.XXX	±0.10
X.°	±2°
PROJECT	



东莞市国亚电子有限公司
Dong Guan Guo Ya Connectors co., l td.

PART NO.				
A1508WVS-2*05-LPSW				
TITLE				
1.50mm Crimp Style Connectors				
UNIT	SCALE	SHEET	REV	NUMBER
mm	1:1	1/1	A0	A-000

APPROVAL	CHECK	DRAWN	DATE
Yangzhengguo	Yangjinyi	Lvtiansheng	2016/08/26

DATE	REV	ECN NO.	DESCRIPTION	MODIFY	APPROVAL
1		2	3	4	5