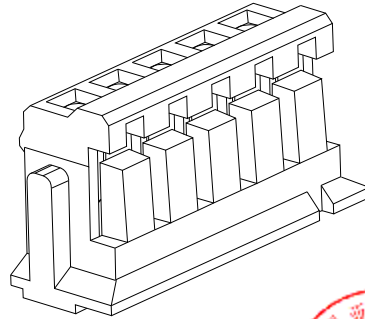
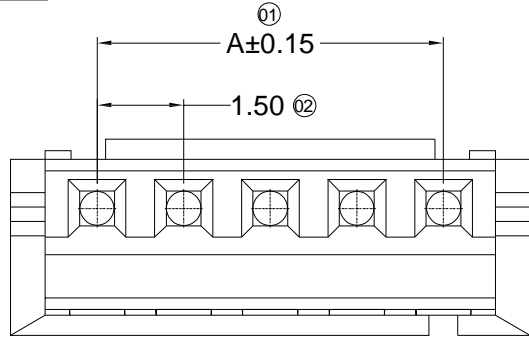
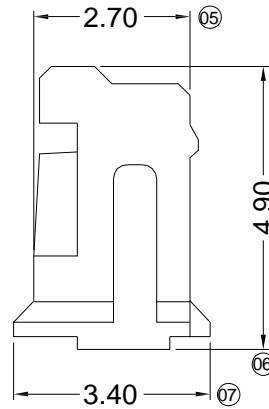
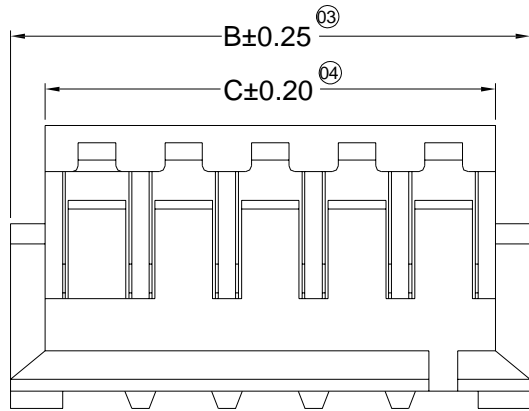


RoHS



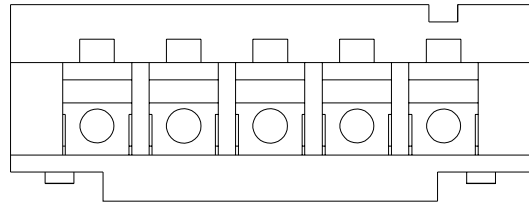
■ Specifications :

- Voltage rating: 50V AC / DC
- Current rating: 1A AC / DC
- Withstanding voltage: 500V AC/minute
- Temperature range: -25° ~+85°
- Insulation resistance: ≥500MΩ
- Contact resistance: ≤20mΩ
- After environmental testing ; ≤30mΩ
- Suitable GYA Terminal: A1505T
- Mates With GYA Wafer:A1505W



A1505 H X - XX B - N0 XX - 07
 ① ②③ ④⑤ ⑥ ⑦ ⑧

- ① Series No.
- ② Category : H-HSG
- ③ Welding Board Angle: Blank-ordinary
- ④ Row No.-Pin No.: XX-02P~15P
- ⑤ Plug the Pin & special No.: Blank-ordinary
- ⑥ B-Special Package
- ⑦ Material : N0-PA66 94V-0
- ⑧ Color : Blank-natural color



Poles	Dimensions(mm)			Poles	Dimensions(mm)		
	A	B	C		A	B	C
02	1.50	4.50	3.30	09	12.00	15.00	13.80
03	3.00	6.00	4.80	10	13.50	16.50	15.30
04	4.50	7.50	6.30	11	15.00	18.00	16.80
05	6.00	9.00	7.80	12	16.50	19.50	18.30
06	7.50	10.50	9.30	13	18.00	21.00	19.80
07	9.00	12.00	10.80	14	19.50	22.50	21.30
08	10.50	13.50	12.30	15	21.00	24.00	22.80

DATE	REV	ECN NO.	DESCRIPTION	MODIFY	APPROVAL
1					
2					
3					
4					

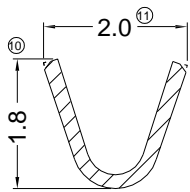
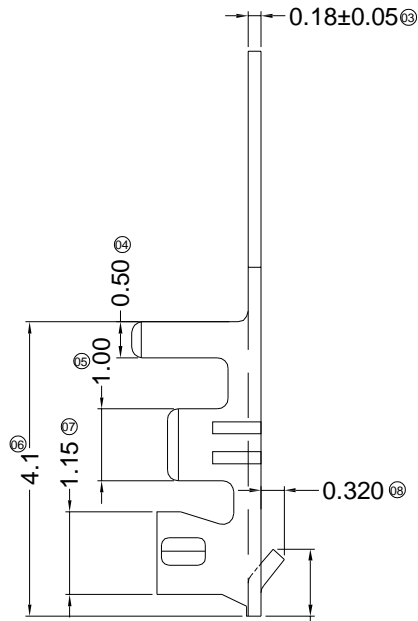
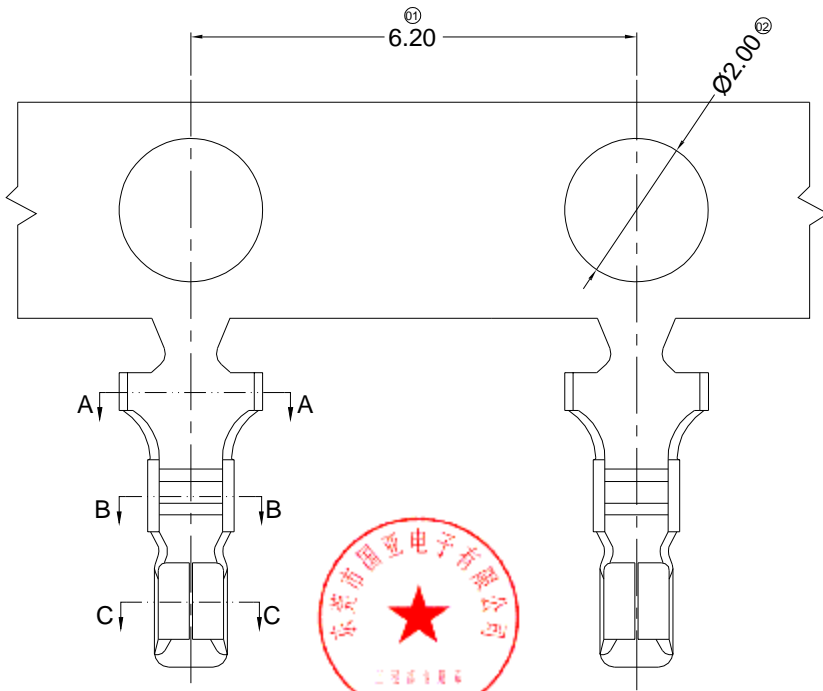
GENERAL TOLERANCE
.X ±0.30
.XX ±0.20
.XXX ±0.10
X.° ±2°
PROJECT

GYA 东莞市国亚电子有限公司
 Connectors Dong Guan Guo Ya Connectors co., l.td.

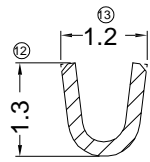
APPROVAL	CHECK	DRAWN	DATE
Yangzhengguo	Yangjinyi	Lvtiansheng	2016/08/26

PART NO. A1505H-XXB-N0-07				
TITLE 1.50mm Crimp Style Connectors				
UNIT	SCALE	SHEET	REV	NUMBER
mm	1:1	1/1	A0	A-007

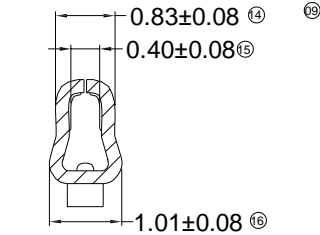
RoHS



SECTION: A-A
SCALE: 1:1



SECTION: B-B
SCALE: 1:1



SECTION: C-C
SCALE: 1:1



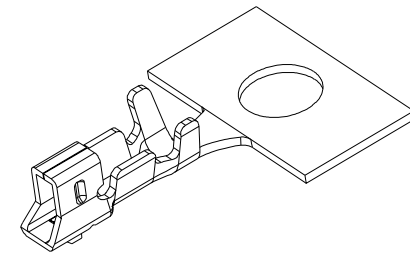
■ Specifications :

- Voltage rating: 50V AC / DC
- Current rating: 1A AC / DC
- Withstanding voltage: 500V AC/minute
- Temperature range: -25° ~+85°
- Insulation resistance: ≥500MΩ
- Contact resistance: ≤20mΩ
- After environmental testing: ≤30mΩ
- Wire Range: AWG#26-32
- Insulation O.D.: 1.20mm(Max)
- Used In GYA Housing: A1505H-07

A1505 T X-P SN X - X-07

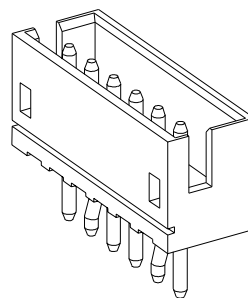
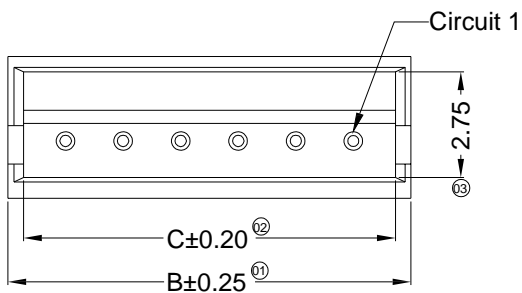
① ② ③ ④ ⑤ ⑥ ⑦

- ① Series Number
- ② Category: T-Terminal
- ③ Shape: Blank-ordinary
- ④ Material: P-Phosphor bronze
- ⑤ Plating style: SN-Bright tin plating
- ⑥ Plating method: Blank-Stamping before plating
- ⑦ Mold No./Mark/Special No.



					<p>GENERAL TOLERANCE</p> <p>.X ±0.35</p> <p>.XX ±0.25</p> <p>.XXX ±0.15</p> <p>X.* ±2°</p> <p>PROJECT</p>				<p>GYA 东莞市国亚电子有限公司 Connectors Dong Guan Guo Ya Connectors co., l td.</p>				<p>PART NO. A1505T-PSN-07</p>				
					<p>APPROVAL</p> <p>CHECK</p> <p>DRAWN</p> <p>DATE</p>				<p>TITLE 1.50mm Crimp Style Connectors</p>								
DATE	REV	ECN NO	DESCRIPTION	MODIFY	APPROVAL	Yangzhengguo	Yangjiyiyi	Lvtiansheng	2016/08/26	UNIT	SCALE	SHEET	REV	NUMBER			
										mm	1:1	1/1	A0	A-007			

RoHS



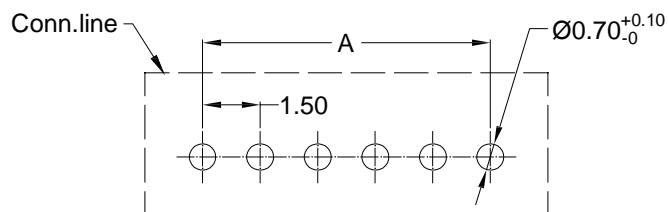
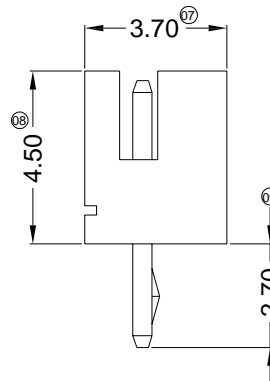
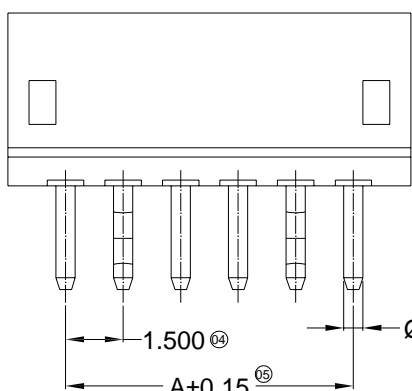
■ Specifications :

- Voltage rating: 50V AC / DC
- Current rating: 1A AC / DC
- Withstanding voltage: 500V AC/minute
- Temperature range: -25° ~+85°
- Insulation resistance: ≥500MΩ
- Contact resistance: ≤20mΩ
- After environmental testing: ≤30mΩ

A1505 W V X-XX K-N0 SN XX

① ② ③ ④ ⑤ ⑥ ⑦ ⑧ ⑨

- ① Series No.
- ② Category: W-wafer
- ③ Welding Board Angle: V- Straight 180°
- ④ Welding Way: Blank-DIP
- ⑤ Row No.-Pin No.: XX-02P~12P
- ⑥ Plug the Pin & Special No.: K- Kink
- ⑦ Material: N0-PA66 94V-0
- ⑧ Planting Category: SN-Bright tin plating
- ⑨ Color: Blank-Natural Color



Recommended P.C.B Layout
General Tolerance±0.05



Poles	Dimensions(mm)			Poles	Dimensions(mm)		
	A	B	C		A	B	C
02	1.50	4.50	3.70	09	12.00	15.00	14.20
03	3.00	6.00	5.20	10	13.50	16.50	15.70
04	4.50	7.50	6.70	11	15.00	18.00	17.20
05	6.00	9.00	8.20	12	16.50	19.50	18.70
06	7.50	10.50	9.70	13	18.00	21.00	20.20
07	9.00	12.00	11.20	14	19.50	22.50	21.70
08	10.50	13.50	12.70	15	21.00	24.00	23.20

A1505WV-XXK-N0SN	Nylon 66 UL 94V-0	Brass	Tin-Plated	A1505H
PART NO	Material	Material(Pin)	Finish(Pin)	Mates With GYA Housing

GENERAL TOLERANCE
.X ±0.35
.XX ±0.25
.XXX ±0.15
X.° ±2°
PROJECT
⊕ ⊖

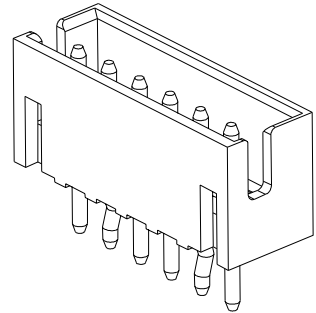
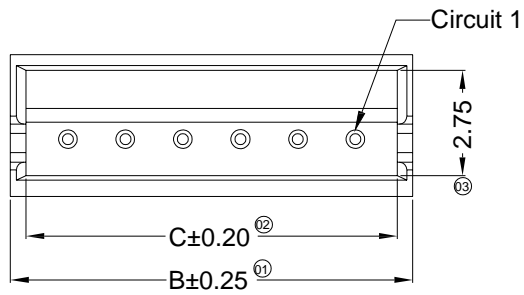
GYA 东莞市国亚电子有限公司
Connectors Dong Guan Guo Ya Connectors co., l td.

APPROVAL	CHECK	DRAWN	DATE
Yangzhengguo	Yangjinyi	Lvtiansheng	2016/08/26

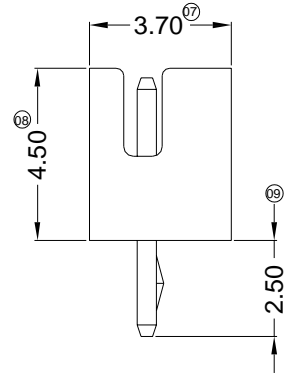
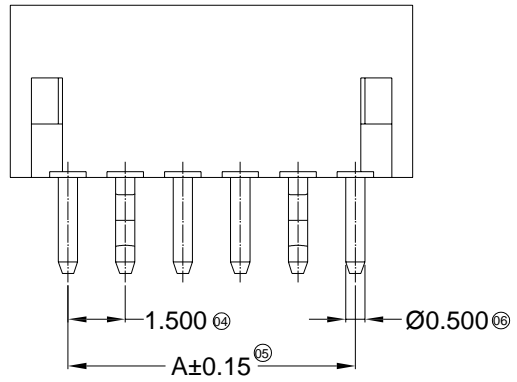
PART NO. A1505WV-XXK-N0SN				
TITLE 1.50mm Crimp Style Connectors				
UNIT	SCALE	SHEET	REV	NUMBER
mm	1:1	1/1	A0	A-010

DATE	REV	ECN NO	DESCRIPTION	MODIFY	APPROVAL

RoHS



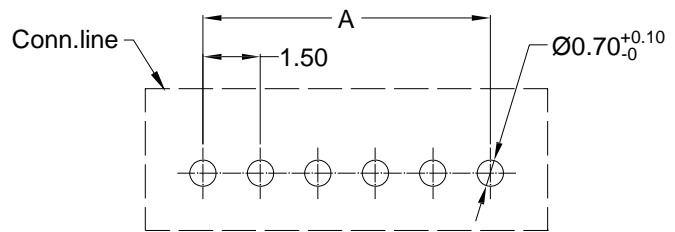
- Specifications :**
- Voltage rating: 50V AC / DC
 - Current rating: 1A AC / DC
 - Withstanding voltage: 500V AC/minute
 - Temperature range: -25° ~+85°
 - Insulation resistance: ≥500MΩ
 - Contact resistance: ≤20mΩ
 - After environmental testing: ≤30mΩ



A1505 W V X-XX K1-N0 SN XX

① ② ③ ④ ⑤ ⑥ ⑦ ⑧ ⑨

- ① Series No.
- ② Category: W-wafer
- ③ Welding Board Angle: V- Straight 180°
- ④ Welding Way: Blank-DIP
- ⑤ Row No.-Pin No.: XX-02P~12P
- ⑥ Plug the Pin & Special No.: K1- Kink Slotless
- ⑦ Material: N0-PA66 94V-0
- ⑧ Planting Category: SN-Bright tin plating
- ⑨ Color: Blank-Natural Color



Recommended P.C.B Layout
General Tolerance±0.05



Poles	Dimensions(mm)			Poles	Dimensions(mm)		
	A	B	C		A	B	C
02	1.50	4.50	3.70	09	12.00	15.00	14.20
03	3.00	6.00	5.20	10	13.50	16.50	15.70
04	4.50	7.50	6.70	11	15.00	18.00	17.20
05	6.00	9.00	8.20	12	16.50	19.50	18.70
06	7.50	10.50	9.70	13	18.00	21.00	20.20
07	9.00	12.00	11.20	14	19.50	22.50	21.70
08	10.50	13.50	12.70	15	21.00	24.00	23.20

A1505WV-XXX1-N0SN	Nylon 66 UL 94V-0	Brass	Tin-Plated	A1505H
PART NO	Material	Material(Pin)	Finish(Pin)	Mates With GYA Housing

DATE	REV	ECN NO	DESCRIPTION	MODIFY	APPROVAL
1					
2					
3					

GENERAL TOLERANCE

.X	±0.35
.XX	±0.25
.XXX	±0.15
X.°	±2°

PROJECT

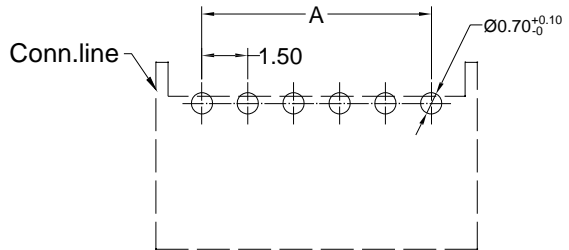
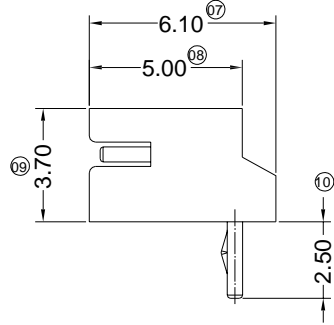
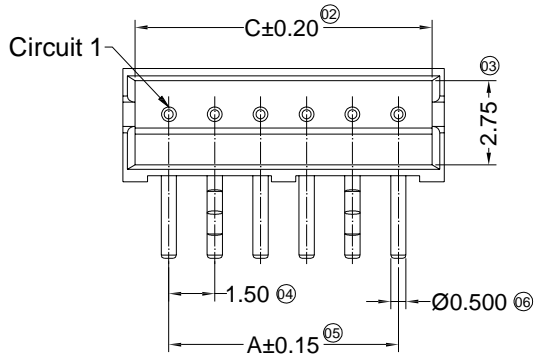
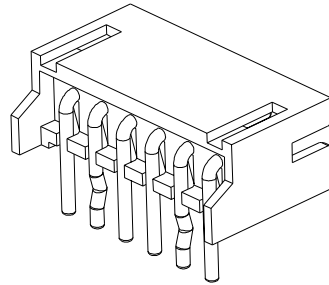
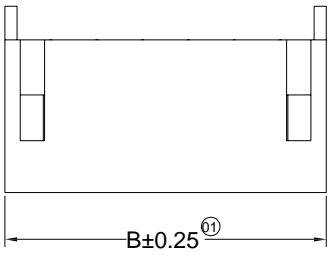
APPROVAL: Yangzhengguo
CHECK: Yangjinyi
DRAWN: Lvtiansheng
DATE: 2016/08/26

PART NO. A1505WV-XXX1-N0SN

TITLE: 1.50mm Crimp Style Connectors

UNIT	SCALE	SHEET	REV	NUMBER
mm	1:1	1/1	A0	A-010

RoHS



Recommended P.C.B Layout
General Tolerance±0.05

■ Specifications :

- Voltage rating: 50V AC / DC
- Current rating: 1A AC / DC
- Withstanding voltage: 500V AC/minute
- Temperature range: -25° ~+85°
- Insulation resistance: ≥500MΩ
- Contact resistance: ≤20mΩ
- After environmental testing: ≤30mΩ
- Material(Pin): Brass
- Mates With GYA Housing:A1505H

A1505 W R X-XX K1-N0 SN XX
① ② ③ ④ ⑤ ⑥ ⑦ ⑧ ⑨

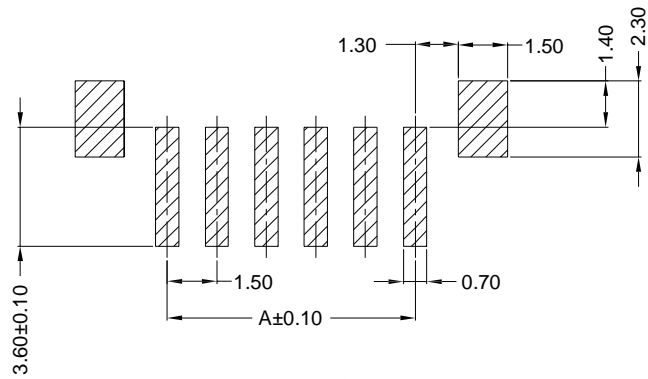
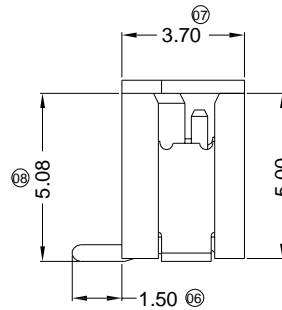
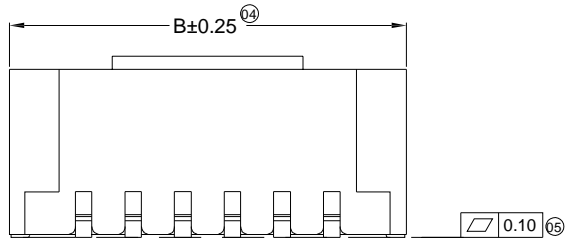
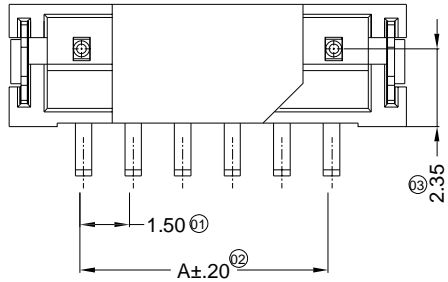
- ① Series No.
- ② Category: W-wafer
- ③ Welding Board Angle: R- Right Angle 90°
- ④ Welding Way: Blank-DIP
- ⑤ Row No.-Pin No.: XX-02P~15P
- ⑥ Special No.: K1-Kink Slotless
- ⑦ Material: N0-PA66 94V-0
- ⑧ Planting Category: SN-Bright tin plating
- ⑨ Color: Blank-Natural Color



Poles	Dimensions(mm)			Poles	Dimensions(mm)		
	A	B	C		A	B	C
02	1.50	4.50	3.70	09	12.00	15.00	14.20
03	3.00	6.00	5.20	10	13.50	16.50	15.70
04	4.50	7.50	6.70	11	15.00	18.00	17.20
05	6.00	9.00	8.20	12	16.50	19.50	18.70
06	7.50	10.50	9.70	13	18.00	21.00	20.20
07	9.00	12.00	11.20	14	19.50	22.50	21.70
08	10.50	13.50	12.70	15	21.00	24.00	23.20

					GENERAL TOLERANCE .X ±0.35 .XX ±0.25 .XXX ±0.15 X.° ±2°				GYA 东莞市国亚电子有限公司 Dong Guan Guo Ya Connectors co., Ltd.				PART NO. A1505WR-XXK1-N0SN			
					APPROVAL		CHECK		DRAWN		DATE		TITLE 1.50mm Crimp Style Connectors			
DATE	REV	ECN NO	DESCRIPTION	MODIFY	APPROVAL	PROJECT						UNIT	SCALE	SHEET	REV	NUMBER
						Yangzhengguo	Yangjinyi	Lvtiansheng	2016/08/26	mm	1:1	1/1	A0	A-010		

RoHS



Recommended P.C.B Layout
General Tolerance±0.05

Specifications :

- Voltage rating: 50V AC / DC
- Current rating: 1A AC / DC
- Withstanding voltage: 500V AC/minute
- Temperature range: -25° ~+85°
- Insulation resistance: ≥500MΩ
- Contact resistance: ≤20mΩ
- After environmental testing: ≤30mΩ
- Material(Pin and Solder Tabs):Brass
- Finish(Solder Tabs):Matte tin plating
- Mates With GYA Housing:A1505H

A1505 W V S-XX X-9T SW XX-XX

① ② ③ ④ ⑤ ⑥ ⑦ ⑧ ⑨ ⑩

- ① Series No.
- ② Category: W-wafer
- ③ Welding Board Angle: V- Straight 180°
- ④ Welding Way: S-SMT
- ⑤ Row No.-Pin No.: XX-02P-15P
- ⑥ Special No.:
- ⑦ Material: 9T- PA9T 94V-0
- ⑧ Planting Category: SW-Matte tin plating
- ⑨ Color: Blank-Natural Color
- ⑩ Pcking: Blank-Cold seal; RQ-Heat seal



Poles	Dimensions(mm)		Poles	Dimensions(mm)	
	A	B		A	B
02	1.50	6.00	09	12.00	16.50
03	3.00	7.50	10	13.50	18.00
04	4.50	9.00	11	15.00	19.50
05	6.00	10.50	12	16.50	21.00
06	7.50	12.00	13	18.00	22.50
07	9.00	13.50	14	19.50	24.00
08	10.50	15.00	15	21.00	25.50

DATE	REV	ECN NO	DESCRIPTION	MODIFY	APPROVAL	PROJECT	APPROVAL	CHECK	DRAWN	DATE	UNIT	SCALE	SHEET	REV	NUMBER
						Yangzhengguo	Yangjinyi	Lvtiansheng		2016/08/26	mm	1:1	1/1	A0	A-007

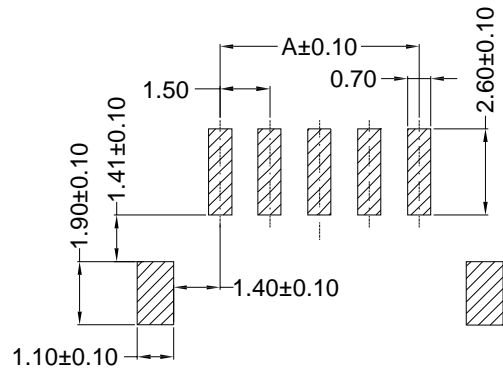
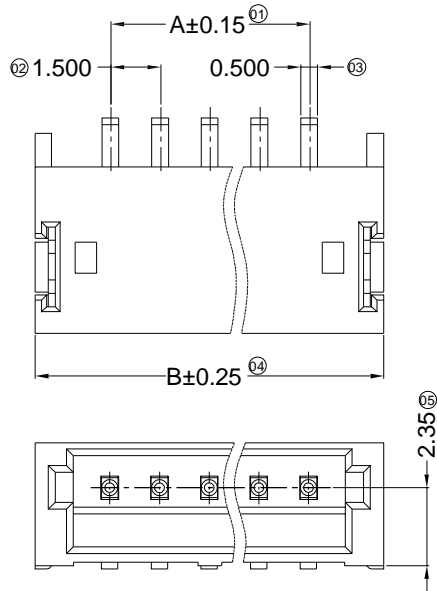
GENERAL TOLERANCE	
.X	±0.35
.XX	±0.25
.XXX	±0.15
X.°	±2°

GYA 东莞市国亚电子有限公司
Connectors Dong Guan Guo Ya Connectors co., l td.

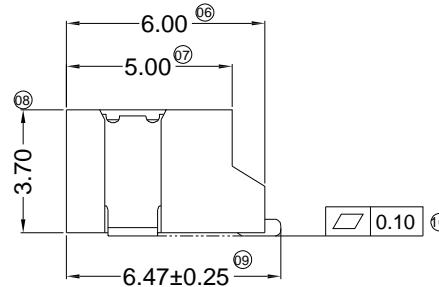
PART NO.
A1505WVS-XX-9TSW-XX

TITLE
1.50mm Crimp Style Connectors

RoHS



Recommended P.C.B Layout
General Tolerance±0.05



Specifications :

- Voltage rating: 50V AC / DC
- Current rating: 1A AC / DC
- Withstanding voltage: 500V AC/minute
- Temperature range: -25° ~+85°
- Insulation resistance: ≥500MΩ
- Contact resistance: ≤20mΩ
- After environmental testing: ≤30mΩ

- Material(Pin and Solder Tabs):Brass
- Finish(Solder Tabs):Matte tin plating
- Mates With GYA Housing: A1505H

A1505 W R S-XX X-XX SW XX-XX
① ② ③ ④ ⑤ ⑥ ⑦ ⑧ ⑨ ⑩

- ① Series No.
- ② Category : W-wafer
- ③ Connector type: R- Right Angle 90°
- ④ Mouting type: S-SMT
- ⑤ Row No.-Pin No per row: XX-02P~15P
- ⑥ Special No.: HF-Halogen Free
- ⑦ Material; LP -LCP 94V-0 9T-PA9T 94V-0
- ⑧ Plating Code: SW-Matte tin plating
- ⑨ Color : Blank-Natural Color
- ⑩ Packing:Blank-Tin foot aback,Cold seal
RQ-Tin foot forward,Heat seal



Poles	Dimensions(mm)		Poles	Dimensions(mm)	
	A	B		A	B
02	1.50	6.00	09	12.00	16.50
03	3.00	7.50	10	13.50	18.00
04	4.50	9.00	11	15.00	19.50
05	6.00	10.50	12	16.50	21.00
06	7.50	12.00	13	18.00	22.50
07	9.00	13.50	14	19.50	24.00
08	10.50	15.00	15	21.00	25.50

					GENERAL TOLERANCE .X ±0.35 .XX ±0.25 .XXX ±0.15 X.* ±2° PROJECT 				GYA 东莞市国亚电子有限公司 Connectors Dong Guan Guo Ya Connectors co.,l td.				PART NO. A1505WRS-XXX-XXSW-XX TITLE 1.50mm Crimp Style Connectors				
DATE	REV	ECN NO	DESCRIPTION	MODIFY	APPROVAL	APPROVAL	CHECK	DRAWN	DATE	UNIT	SCALE	SHEET	REV	NUMBER			
1		2		3		Yangzhengguo	Yangjinyi	Lvtiansheng	2016/08/26	mm	1:1	1/1	A0	A-007			