

RoHS

包装图

**Note 注解:**

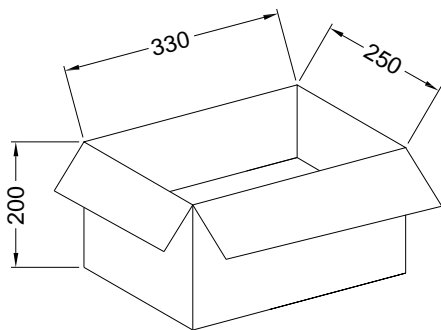
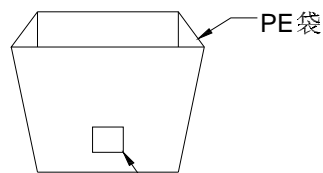
1. Put Housing in a PE bag, PE bag gauge for: 130 \* 135 \* 0.10 mm, Packing detail see the table below

将 Housing放入PE袋内, PE袋规为:130\*135\*0.10mm, 详细包装见下表

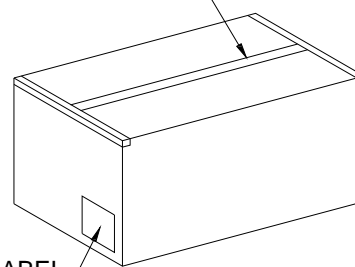
2. Put PE bag packed products in specifications of 330 \* 250 \* 300 mm cartons, Packing detail see the table below

将装好产品的PE袋放入规格为330\*250\*200mm的纸箱内, 详细包装见下表

3. Label depends on customer request, carton opening joint with transparent tape  
 标签依客户要求而定, 纸箱开口处用透明胶带贴合.



胶带ADHESIVE TAPE



Poles	Bag PCS	CARTON Bag	CARTON PCS
02	1000	75	75K
03	1000	75	75K
04	1000	75	75K
05	1000	75	75K
06	1000	75	75K
07	1000	75	75K
08	1000	75	75K
09	1000	75	75K
10	1000	75	75K
11	1000	75	75K
12	1000	75	75K
13	1000	75	75K
14	1000	75	75K
15	1000	75	75K

GENERAL TOLERANCE

.X	±0.35
.XX	±0.25
.XXX	±0.15
X°	±0.2°



东莞市国亚电子有限公司  
 Dong Guan Guo Ya Connectors co., l td.

PART NO.:

A1505H-XX-XX

TITLE:

1.50mm Housing Package

APPROVAL

CHECK

DRAWN

DATE

Yangzhengguo

Yangzhengyi

Lvtiansheng

2016/08/26

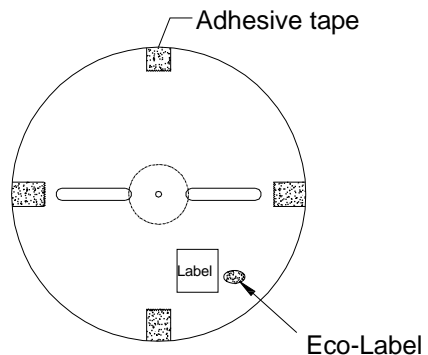
UNIT	SCALE	SHEET	REV	NUMBER
mm	1:1	1/1	A0	A-106

DATE	REV	ECN NO.	DESCRIPTION	MODIFY	APPROVAL



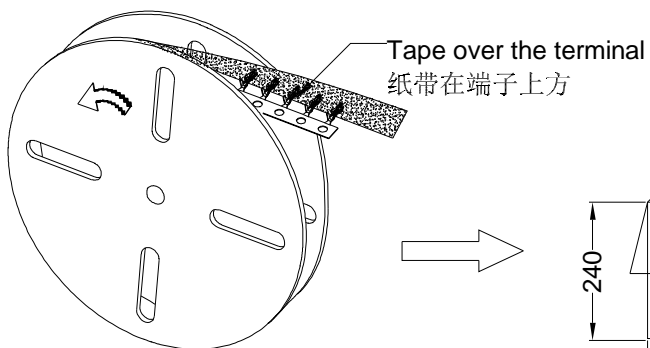
RoHS

包装图

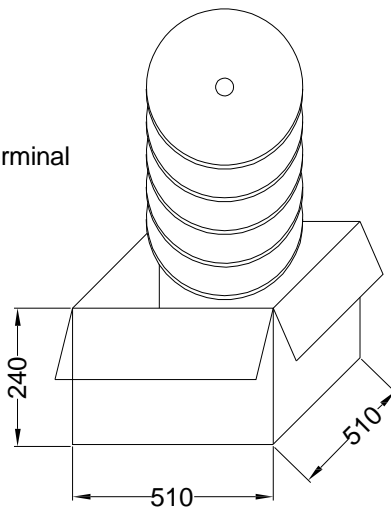


Note注解:

- Quantity 数量:  
10K PCS/REEL 一卷12K/PCS  
10 REEL/BOX 一箱10卷  
100K PCS/BOX 一箱120K/PCS
- Each reel and outer box must be labeled and Eco-Label Respectively labeled  
每盘和外箱都必须有标签及环保标签分别标示
- Terminal winding direction as shown  
端子缠绕方向如左图所示
- There shall be no dirt such as deformation phenomenon, Mantissa box fillers must be used  
每箱不可有脏污, 变形现象, 尾数箱必须用填充物

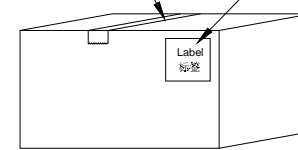


卷装方式  
Package way



Adhesive tape 胶带

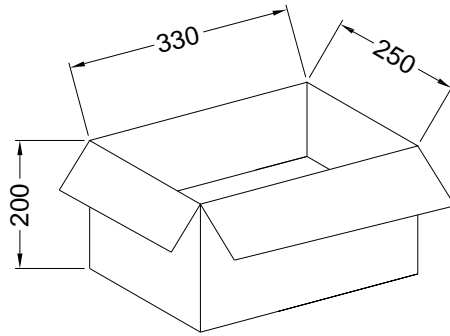
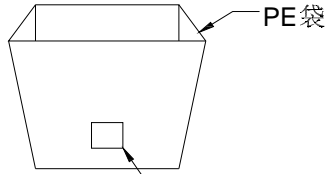
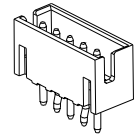
Label unified on the box top right corner  
外箱标签位于右上角



					<p>GENERAL TOLERANCE</p> <p>.X ±0.35</p> <p>.XX ±0.25</p> <p>.XXX ±0.15</p> <p>X° ±0.2°</p> <p>视角</p>				<p><b>GYA</b> 东莞市国亚电子有限公司 Connectors Dong Guan Guo Ya Connectors co., l td.</p>				<p>PART NO.: A1505T-PXX</p>								
					<p>APPROVAL Yangzhengguo</p>				<p>CHECK Yangzhengyi</p>												
					<p>DRAWN Lviansheng</p>				<p>DATE 2016/08/26</p>												
					<p>TITLE: 1.50mm Terminal Packing</p>																
DATE		REV		ECN NO.		DESCRIPTION		MODIFY		APPROVAL		UNIT		SCALE		SHEET		REV		NUMBER	
1				2		3		4		5		6		7		8		A0		A-106	

RoHS

包装图



Note注解:

1. Put Housing in a PE bag, PE bag gauge for: 130 \* 135 \* 0.10 mm, Packing detail see the table below

将 Housing放入PE袋内, PE袋规为:130\*135\*0.10mm, 详细包装见下表

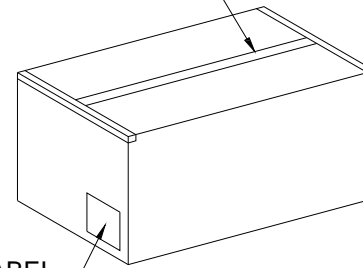
2. Put PE bag packed products in specifications of 330 \* 250 \* 300 mm cartons, Packing detail see the table below

将装好产品的PE袋放入规格为330\*250\*200mm的纸箱内, 详细包装见下表

3. Label depends on customer request, carton opening joint with transparent tape  
标签依客户要求而定, 纸箱开口处用透明胶带贴合.



胶带ADHESIVE TAPE



标签LABEL

Poles	Bag PCS	CARTON Bag	CARTON PCS
02	1000	75	75K
03	1000	75	75K
04	1000	75	75K
05	1000	75	75K
06	1000	75	75K
07	1000	75	75K
08	1000	75	75K
09	1000	75	75K
10	1000	75	75K
11	1000	75	75K
12	1000	75	75K
13	1000	75	75K
14	1000	75	75K
15	1000	75	75K

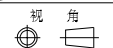
GENERAL TOLERANCE

.X ±0.35

.XX ±0.25

.XXX ±0.15

X° ±0.2°



东莞市国亚电子有限公司  
Dong Guan Guo Ya Connectors co., Ltd.

PART NO.:  
A1505WV-XXXX-XXXX

TITLE:  
1.50mm Wafer Package

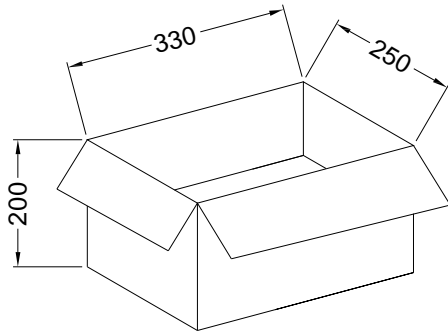
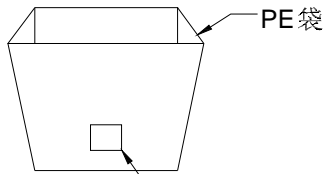
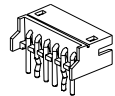
APPROVAL	CHECK	DRAWN	DATE
Yangzhengguo	Yangzhengyi	Lvtiansheng	2016/08/26

UNIT	SCALE	SHEET	REV	NUMBER
mm	1:1	1/1	A0	A-106

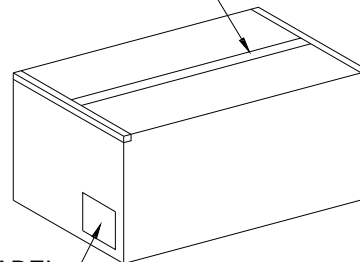
DATE	REV	ECN NO.	DESCRIPTION	MODIFY	APPROVAL

RoHS

包装图



胶带ADHESIVE TAPE



Note注解:

1. Put Housing in a PE bag, PE bag gauge for: 130 \* 135 \* 0.10 mm, Packing detail see the table below

将 Housing放入PE袋内, PE袋规为:130\*135\*0.10mm, 详细包装见下表

2. Put PE bag packed products in specifications of 330 \* 250 \* 300 mm cartons, Packing detail see the table below

将装好产品的PE袋放入规格为330\*250\*200mm的纸箱内, 详细包装见下表

3. Label depends on customer request, carton opening joint with transparent tape  
标签依客户要求而定, 纸箱开口处用透明胶带贴合.



Poles	Bag PCS	CARTON Bag	CARTON PCS
02	1000	75	75K
03	1000	75	75K
04	1000	75	75K
05	1000	75	75K
06	1000	75	75K
07	1000	75	75K
08	1000	75	75K
09	1000	75	75K
10	1000	75	75K
11	1000	75	75K
12	1000	75	75K
13	1000	75	75K
14	1000	75	75K
15	1000	75	75K

GENERAL TOLERANCE

.X ±0.35

.XX ±0.25

.XXX ±0.15

X.° ±0.2°

视 角



东莞市国亚电子有限公司  
Dong Guan Guo Ya Connectors co., l td.

PART NO.:

A1505WR-XXXX-XXXX

TITLE:

1.50mm Wafer Package

UNIT	SCALE	SHEET	REV	NUMBER
mm	1:1	1/1	A0	A-106

DATE	REV	ECN NO.	DESCRIPTION	MODIFY	APPROVAL
1					

APPROVAL

Yangzhengguo

CHECK

Yangzhengyi

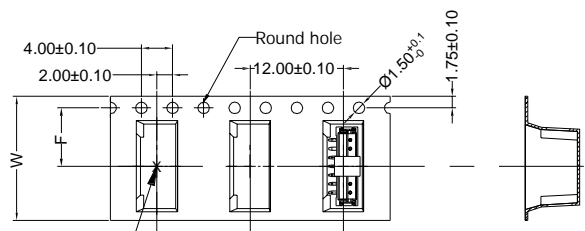
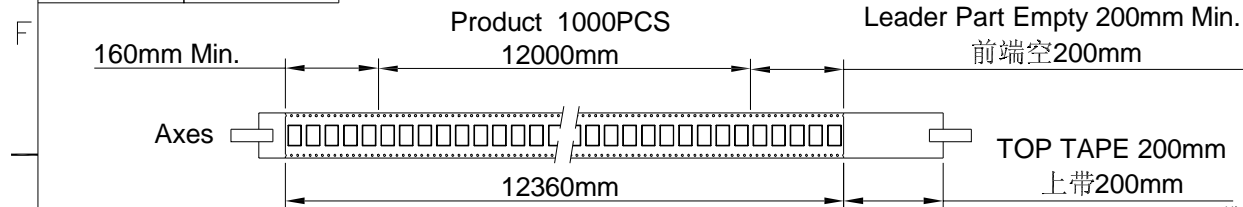
DRAWN

Lvtiansheng

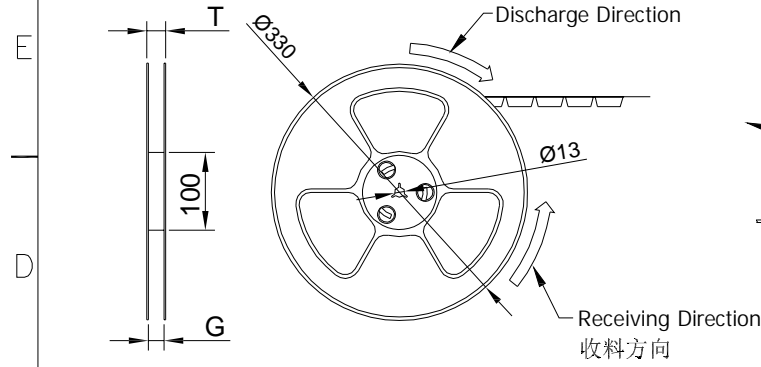
DATE

2016/08/26

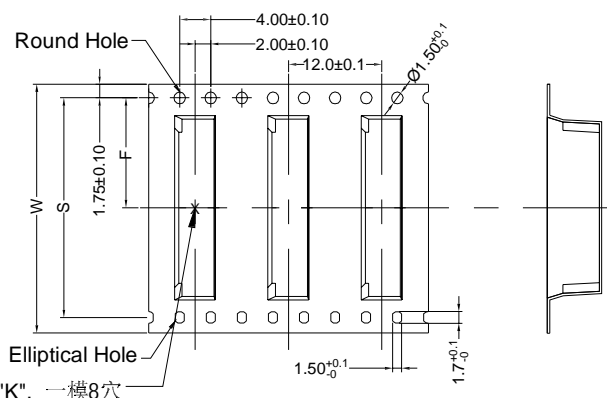
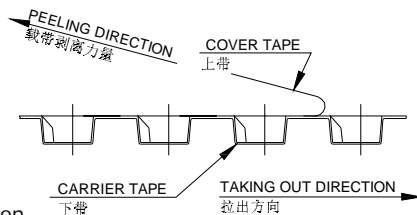
RoHS 包装图



模穴号"K", 一模8穴



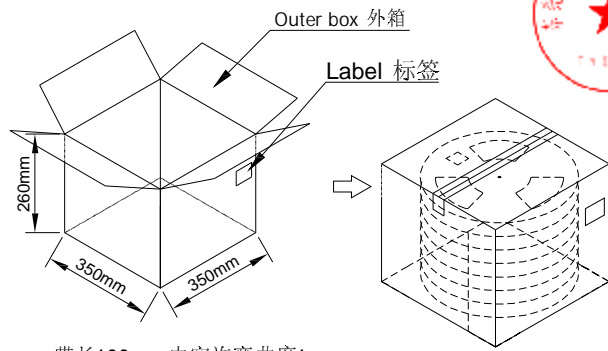
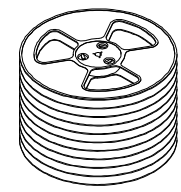
COVER TAPE PEEL STRENGTH:20-120g  
上带剥离力量: 20-120g  
速度PEEL SPEED:300mm/minute



模穴号"K", 一模8穴

1502WVS-XX-9TSW-XX

空码-上带冷封  
RQ-上带热封



- Note:**
- Carrier Camber Is Within 1mm In 100mm ; 带长100mm 内容许弯曲度1mm
  - 10 Sprocket Hole Pitch Cumulative Tolerance±0.2MM ; 圆孔十个孔距离累计允许公差为±0.2mm
  - Material for PS ; 材质为PS材质, 透明色
  - Thickness=0.40±0.05 ; 材料厚度为0.40±0.05mm

	Pin No.	W	S	F	T	G	REEL /PCS	CARTON /R	CARTON /PCS
A1505WVS-XX-XXXX-XX	A1505WVS-02	16	/	7.50	20.50	16.40	1000	11R	11000
	A1505WVS-03								
	A1505WVS-04								
	A1505WVS-05	24	/	11.50	28.50	24.40	1000	8R	8000
	A1505WVS-06								
	A1505WVS-07								
	A1505WVS-08								
	A1505WVS-09								
	A1505WVS-10	32	28.40	14.20	36.50	32.40	1000	6R	6000
	A1505WVS-11								
	A1505WVS-12								
	A1505WVS-13								
	A1505WVS-14	44	40.40	20.20	48.50	44.40	1000	5R	5000
	A1505WVS-15								
	A1505WVS-16								

DATE	REV	ECN NO.	DESCRIPTION	MODIFY	APPROVAL

GENERAL TOLERANCE
.X ±0.35
.XX ±0.25
.XXX ±0.15
X <sup>o</sup> ±0.2°

**GYA** 东莞市国亚电子有限公司  
Connectors Dong Guan Guo Ya Connectors co., l td.

APPROVAL	CHECK	DRAWN	DATE
Yangzhengguo	Yangzhengyi	Lvtiansheng	2016/08/26

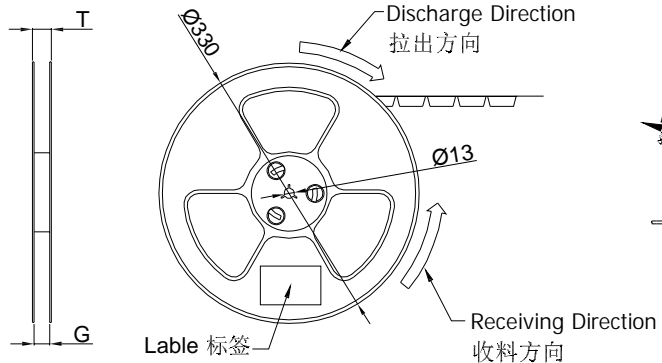
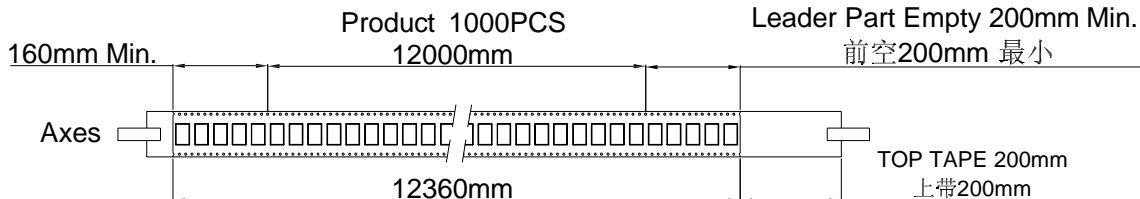
**PART NO.:**  
A1505WVS-XX-XXXX-XX

**TITLE:**  
1.50mm SMT 180° Package

UNIT	SCALE	SHEET	REV	NUMBER
mm	1:1	1/1	A0	A-007

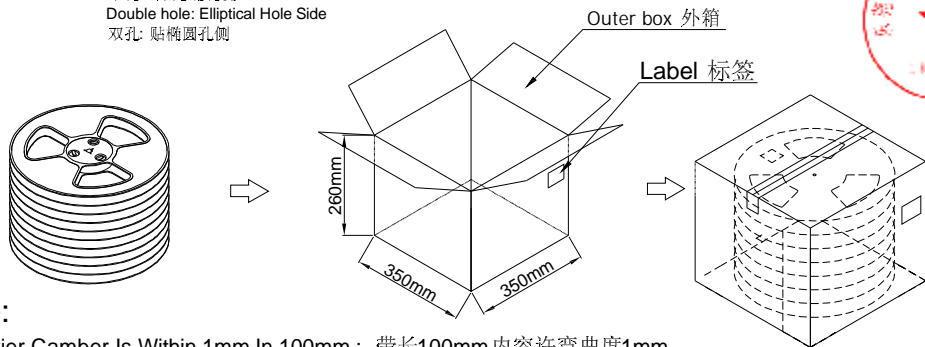
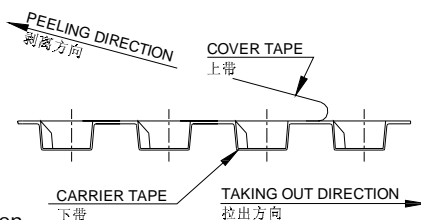
RoHS

包装图



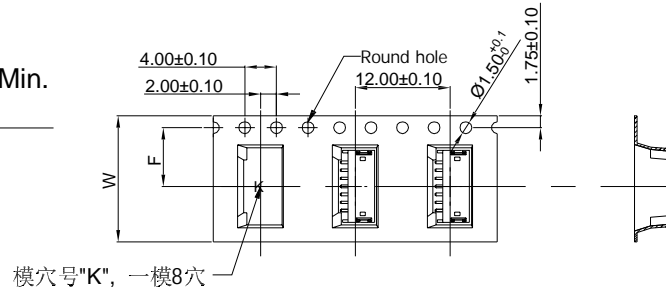
Lable 标签  
Single hole: None Hole Side  
单孔: 贴无键孔侧  
Double hole: Elliptical Hole Side  
双孔: 贴椭圆孔侧

COVER TAPE PEEL STRENGTH:20~120g  
上带剥离力量: 20~120g  
速度 PEEL SPEED:300mm/minute

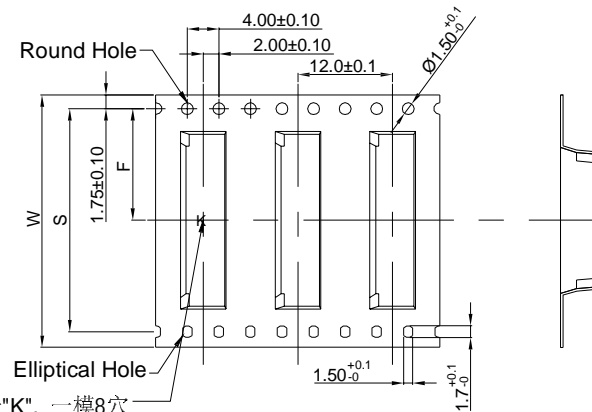


Note:

- Carrier Camber Is Within 1mm In 100mm ; 带长100mm 内容许弯曲度1mm
- 10 Sprocket Hole Pitch Cumulative Tolerance±0.2MM ; 圆孔十个孔距离累计允许公差为±0.2mm
- Material for PS ; 材质为PS材质
- Thickness=0.40±0.05 ; 材料厚度为0.40±0.05mm
- Carton material 纸箱材质:K=K; Carton Thickness 纸箱厚度: 6~7mm



模穴号"K", 一模8穴



模穴号"K", 一模8穴

Pin No.	W	S	F	T	G	REEL /PCS	CARTON /R	CARTON /PCS
A1505WRS-02	16	/	7.50	20.50	16.40	1000	11R	11000
A1505WRS-03								
A1505WRS-04								
A1505WRS-05								
A1505WRS-06	24	/	11.50	28.50	24.40	1000	8R	8000
A1505WRS-07								
A1505WRS-08								
A1505WRS-09								
A1505WRS-10	32	28.40	14.20	36.50	32.40	1000	7R	7000
A1505WRS-11								
A1505WRS-12								
A1505WRS-13								
A1505WRS-14	44	40.40	20.20	48.50	44.40	1000	5R	5000
A1505WRS-15								
A1505WRS-16								



GENERAL TOLERANCE	
.X	±0.35
.XX	±0.25
.XXX	±0.15
X°	±0.2°



东莞市国亚电子有限公司  
Dong Guan Guo Ya Connectors co., Ltd.

PART NO.:  
A1505WRS-XX-XXXX

TITLE:  
1.50mm SMT 90° Packing

APPROVAL	CHECK	DRAWN	DATE
Yangzhengguo	Yangzhengyi	Lvtiansheng	2016/08/26

UNIT	SCALE	SHEET	REV	NUMBER
mm	1:1	1/1	A0	A-007

DATE	REV	ECN NO.	DESCRIPTION	MODIFY	APPROVAL