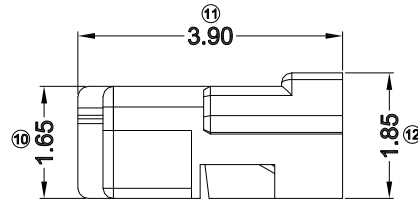
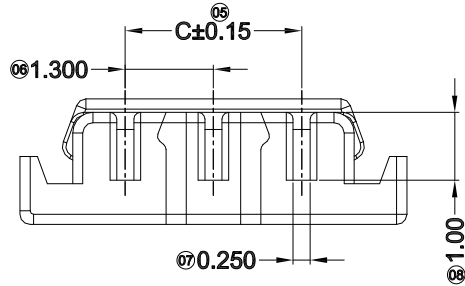
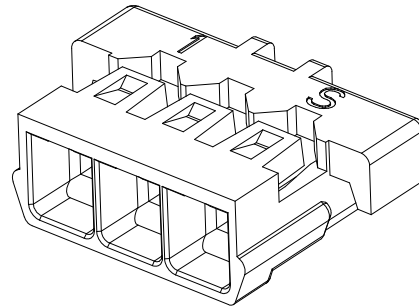
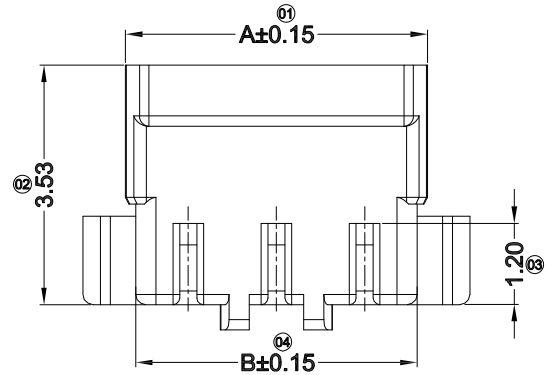


RoHS



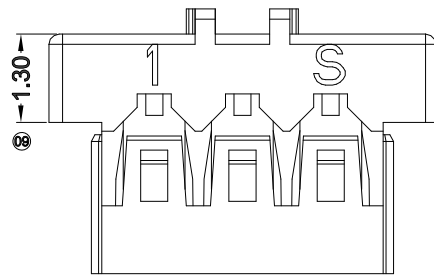
Specifications :

- Voltage rating: 30V AC / DC
- Current rating: 3.0A AC / DC
- Withstanding voltage: 500V AC/minute
- Temperature range: -40°C~+105°C
- Insulation resistance: ≥100MΩ
- Contact resistance: ≤20mΩ
- After environmental testing: ≤40mΩ
- Suitable GYA Terminal: A1301T
- Suitable GYA Wafer: A1301WRS

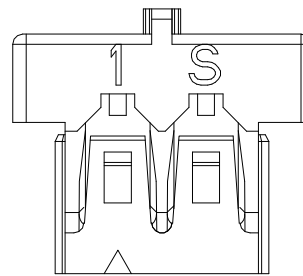
A1301 H X-1xXX-NL N B H 01 F

① ②③ ④ ⑤ ⑥⑦⑧ ⑨ ⑩

- ① Series No.
- ② Category: H-Housing
- ③ Welding Board Angle: Blank-ordinary
- ④ Row No.-Pin No.: 1xXX-1x02~1x12P
- ⑤ Material: NL-PA66 94V-0
- ⑥ Color: N-natural color B-Black
- ⑦ Packag: B-Bag
- ⑧ Green code: H-Halogen Free
- ⑨ Water code:01
- ⑩ F-Other Connectors



3~12Pin Shape



2Pin Shape

Poles	Dimensions(mm)		
	A	B	C
1x02	3.15	2.85	1.30
1x03	4.45	4.15	2.60
1x04	5.75	5.45	3.90
1x05	7.05	6.75	5.20
1x06	8.35	8.05	6.50
1x07	9.65	9.35	7.80
1x08	10.95	10.65	9.10
1x09	12.25	11.95	10.40
1x10	13.55	13.25	11.70
1x11	14.85	14.55	13.00
1x12	16.15	15.85	14.30

GENERAL TOLERANCE

.X ±0.35

.XX ±0.25

.XXX ±0.15

X.° ±2°

PROJECT

① ②



东莞市国亚电子有限公司
Dong Guan Guo Ya Connectors co., Ltd.

APPROVAL CHECK DRAWN DATE

Yangzhengguo Yangzhengyi Lviansheng 2016/08/26

PART NO.

A1301H-1xXX-NLNBH01F

TITLE

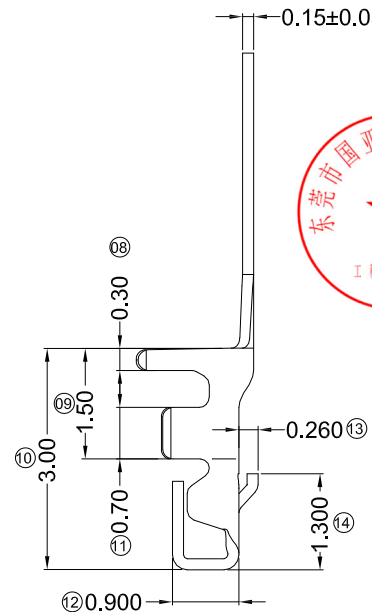
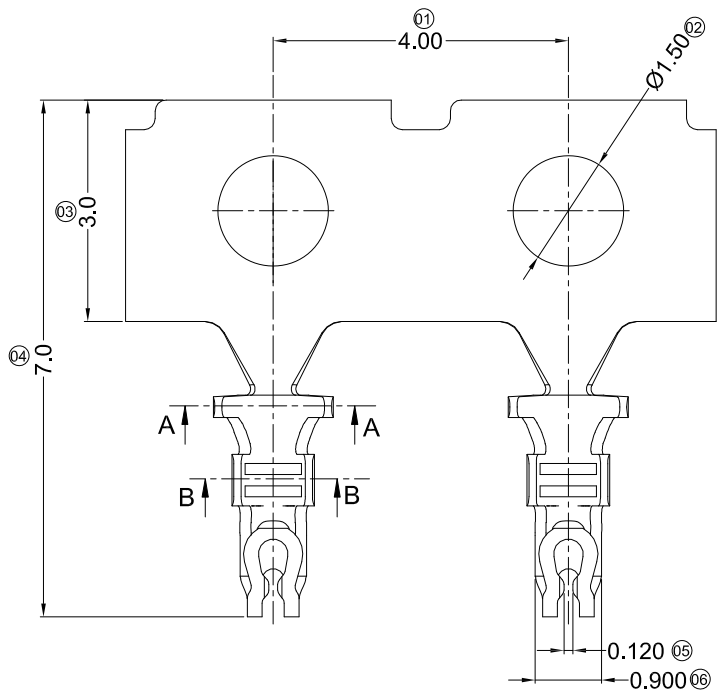
1.30 mm Crimp Style Connectors

UNIT SCALE SHEET REV NUMBER

mm 1:1 1/1 A0 A-022

DATE	REV	ECN NO	DESCRIPTION	MODIFY	APPROVAL
1					
2					
3					
4					

RoHS



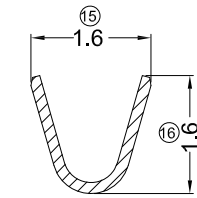
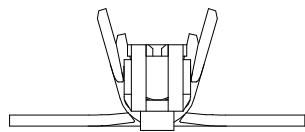
Specifications :

- Voltage rating: 30V AC / DC
- Current rating: 3.0A AC / DC
- Withstanding voltage: 500V AC/minute
- Temperature range: -40° ~+105°
- Insulation resistance: ≥100MΩ
- Contact resistance: ≤20mΩ
- After environmental testing: ≤30mΩ
- Wire Range: AWG#26~28
- Insulation O.D:0.98mm (Max)
- Used In GYA Housing:A1301H

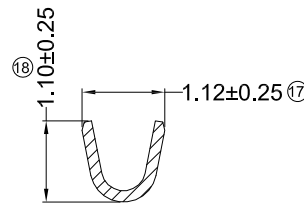
A1301 T X X-H 10 S X-01 F

① ② ③ ④ ⑤ ⑥ ⑦ ⑧ ⑨ ⑩

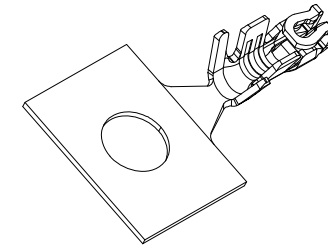
- ① Series Number
- ② Category: T-terminal
- ③ Shape: Blank-ordinary
- ④ Appearance encoding:Blank-Ordinary
- ⑤ Material: H-High conductivity copper
- ⑥ Plating style: 10- Whole Gold :Gold Flash
- ⑦ Plating method: S-Stamping before plating
- ⑧ Special No: Blank-Normal Leads
- ⑨ Water code:01
- ⑩ F-Other Connectors



SECTION A-A
SCALE 1:1



SECTION B-B
SCALE 1:1



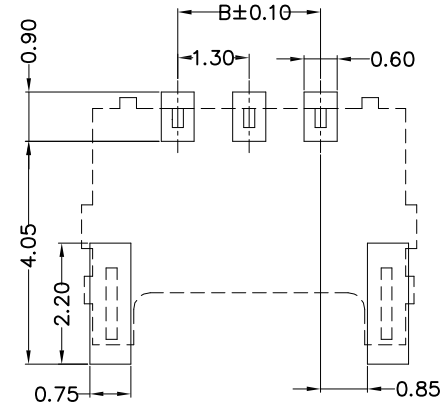
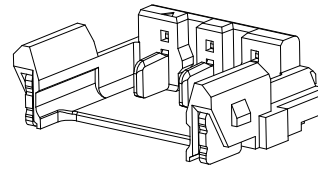
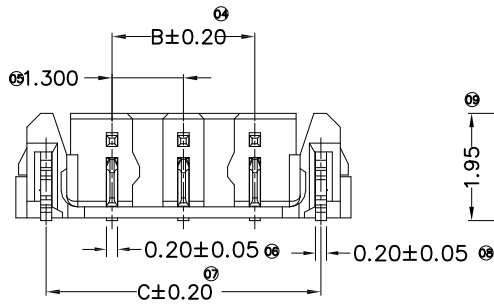
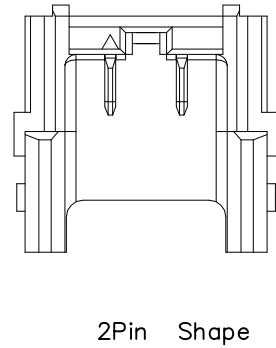
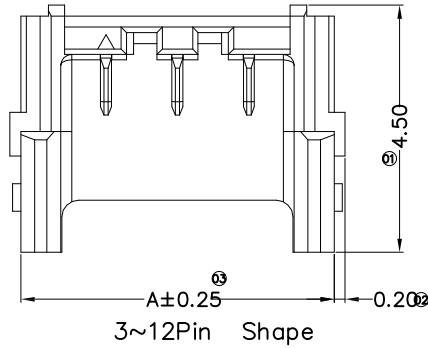
DATE	REV	ECN NO	DESCRIPTION	MODIFY	APPROVAL

GENERAL TOLERANCE	
.X	±0.35
.XX	±0.25
.XXX	±0.15
X.°	±2°
PROJECT	

	东莞市国亚电子有限公司 Dong Guan Guo Ya Connectors co., Ltd.		
	APPROVAL	CHECK	DRAWN
	Yangzhengguo	Yangzhengyi	Lvtiansheng
			DATE
			2016/08/26

PART NO.				
A1301T-H10S-01F				
TITLE				
1.30 mm Crimp Style Connectors				
UNIT	SCALE	SHEET	REV	NUMBER
mm	1:1	1/1	A0	A-295

RoHS



Specifications

- Voltage rating: 30V AC / DC
- Current rating: 3.0A AC / DC
- Withstanding voltage: 500V AC/minute
- Temperature range: -25° ~ +85°
- Insulation resistance: ≥100MΩ
- Contact resistance: ≤20mΩ
- After environmental testing: ≤40mΩ
- Mates With GYA Housing: A1301H

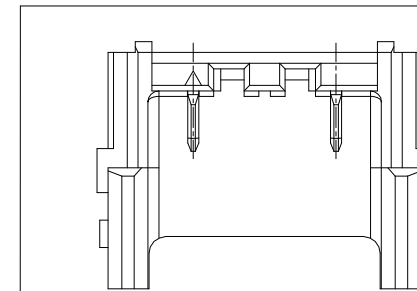
A1301W R S-1xXX-4TX H10 RH001 F

- ① ② ③ ④ ⑤ ⑥ ⑦ ⑧ ⑨ ⑩ ⑪ ⑫ ⑬

- ① SeriesNo.
- ② Category : W-wafer
- ③ WeldingBoardAngle: R- 90°
- ④ WeldingWay: S-SMT
- ⑤ RowNo.-Pin No.: 1xXX-1x02~1x12P
- ⑥ Plastic material : 4T-PA4T 94V-0 ;
- ⑦ Color: B-Black; N-Natural
- ⑧ Metal material: H-High conductivity copper
- ⑨ Planting Category: 10-All Gold Flash
- ⑩ Packag: R-Reel
- ⑪ Green code : H-Halogen-Free
- ⑫ Water code:001-Normal PIN number
002-3Pin, missing 1PIN.number
- ⑬ F-Other Connectors

备注说明

A1301WRS-1xXX-4TXH10RH001F	正常PIN 料号
A1301WRS-1x03-4TXH10RH002F	3Pin中间缺1PIN 料号



3Pin 中间缺1PIN 视图
料号为:A1301WRS-1x03-4TXH10RH002F

Poles	Dimensions (mm)		
	A	B	C
1x02	4.40	1.30	3.70
1x03	5.70	2.60	5.00
1x04	7.00	3.90	6.30
1x05	8.30	5.20	7.60
1x06	9.60	6.50	8.90
1x07	10.90	7.80	10.20
1x08	12.20	9.10	11.50
1x09	13.50	10.40	12.80
1x10	14.80	11.70	14.10
1x11	16.10	13.00	15.40
1x12	17.40	14.30	16.70



GENERAL TOLERANCE	
.X	±0.30
.XX	±0.20
.XXX	±0.10
X.*	±2°
PROJECT	
☉	☒

GYA 东莞市国亚电子有限公司
Connectors Dong Guan Guo Ya Connectors co., Ltd.

APPROVAL	CHECK	DRAWN	DATE
Yangzhengguo	Yangzhengyi	Lvtiansheng	2016/08/26

PARTNO.
A1301WRS-1xXX-4TXH10RH00XF

TITLE
1.30 mm Crimp Style Connectors

UNIT	SCALE	SHEET	REV	NUMBER
mm	1:1	1/1	A0	A-000

DATE	REV	ECN NO	DESCRIPTION	MODIFY	APPROVAL
1		2		4	