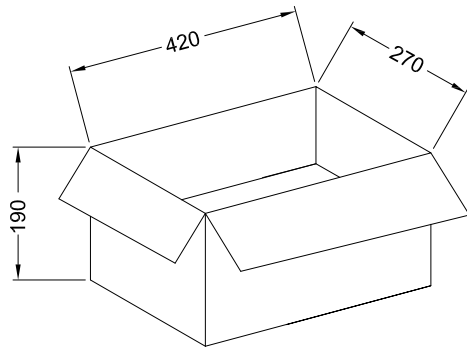
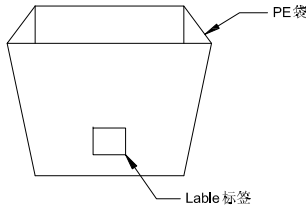


RoHS

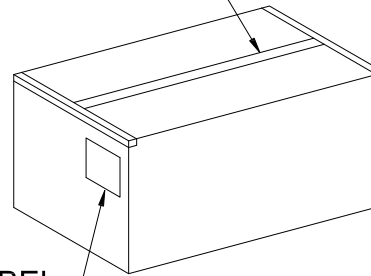
包装图

Note 注解:

1. Put Housing in a PE bag, Packing detail see the table below
将 Housing 放入PE袋内, 详细包装见下表
2. Put PE bag packed products in specifications of 420 * 270 * 190 mm cartons, Packing detail see the table below
将装好产品的PE袋放入规格为420 * 270 * 190mm的纸箱内, 详细包装见下表
3. Label depends on customer request, carton opening joint with transparent tape
标签依客户要求而定, 纸箱开口处用透明胶带贴合.
4. Carton material: K=K, Carton thickness : 6±1mm
纸箱材质:K=K, 纸箱厚度:6±1mm



胶带ADHESIVE TAPE



Poles	Bag PCS	CARTON Bag	CARTON PCS
02	1000	400	400K
03	1000	400	400K
04	1000	350	350K
05	1000	350	350K
06	1000	300	300K
07	1000	300	300K
08	1000	250	250K
09	1000	250	250K
10	1000	200	200K
11	1000	200	200K
12	1000	150	150K

GENERAL TOLERANCE

.X	±0.35
.XX	±0.25
.XXX	±0.15
X.°	±0.2°



GYA
Connectors

东莞市国亚电子有限公司
Dong Guan Guo Ya Connectors co., Ltd.

APPROVAL

CHECK

DRAWN

DATE

Yangzhengguo

Yangzhengyi

Lvtiansheng

2016/08/26

PART NO.:

1A301H-1xXX-XXX

TITLE:

1.30mm Housing Packing

UNIT	SCALE	SHEET	REV	NUMBER
mm	1:1	1/1	A0	A-022

mm 1:1 1/1 A0 A-022

DATE

REV

ECN NO.

DESCRIPTION

MODIFY

APPROVAL

1

2

3

4

5

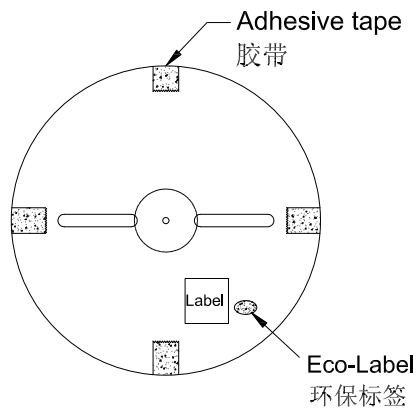
6

7

8

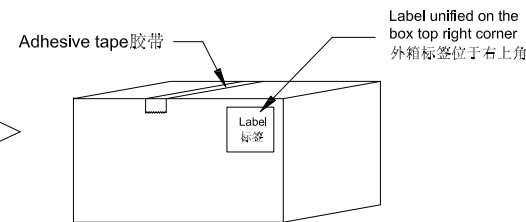
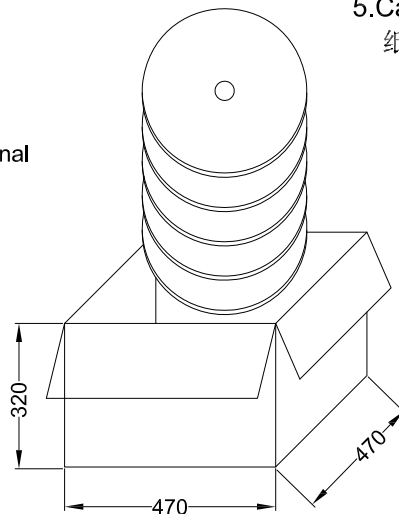
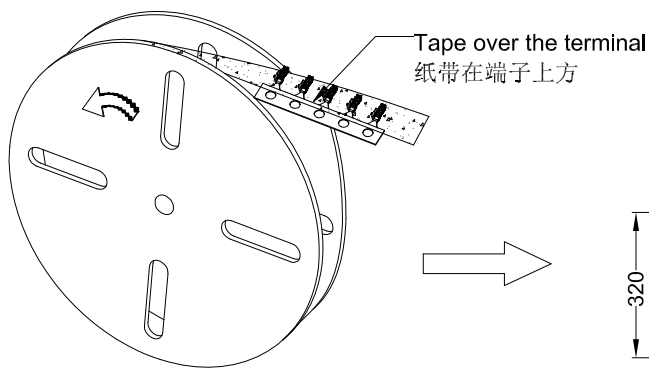
RoHS

包装图



Note 注解:

- 1.Quantity 数量:
20K PCS/REEL 一卷20K/PCS
11 REEL/BOX 一箱11卷
220K PCS/BOX 一箱220K/PCS
- 2.Each reel and outer box must be labeled and Eco-Label Respectively labeled
每盘和外箱都必须有标签及环保标签分别标示
- 3.Terminal winding direction as shown
端子缠绕方向如左图所示
- 4.There shall be no dirt such as deformation phenomenon, Mantissa box fillers must be used
每箱不可有脏污, 变形现象, 尾数箱必须用填充物
- 5.Carton material: K=K, Carton thickness: 6~7mm
纸箱材质:K=K, 纸箱厚度:6~7mm



卷装方式
Package way

GENERAL TOLERANCE

.X	±0.35
.XX	±0.25
.XXX	±0.15
X°	±0.2°



东莞市国亚电子有限公司
Dong Guan Guo Ya Connectors co., Ltd.

APPROVAL

CHECK

DRAWN

DATE

Yangzhengguo

Yangzhengyi

Lvtiansheng

2016/08/26

PART NO.:

A1301T-XXX

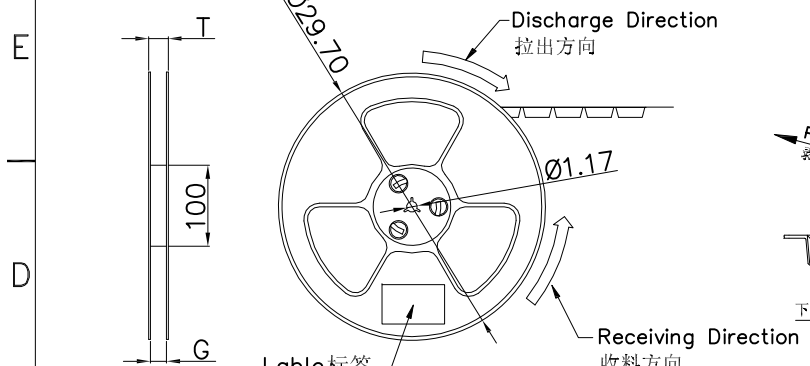
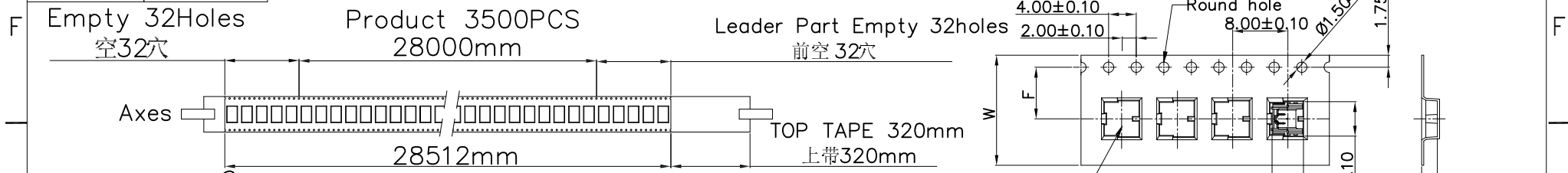
TITLE:

1.30 mm Terminal Packing

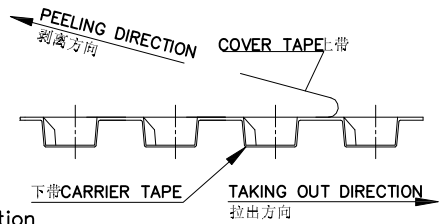
UNIT	SCALE	SHEET	REV	NUMBER
mm	1:1	1/1	A0	A-295

DATE	REV	ECN NO.	DESCRIPTION	MODIFY	APPROVAL
1					
2					
3					
4					
5					

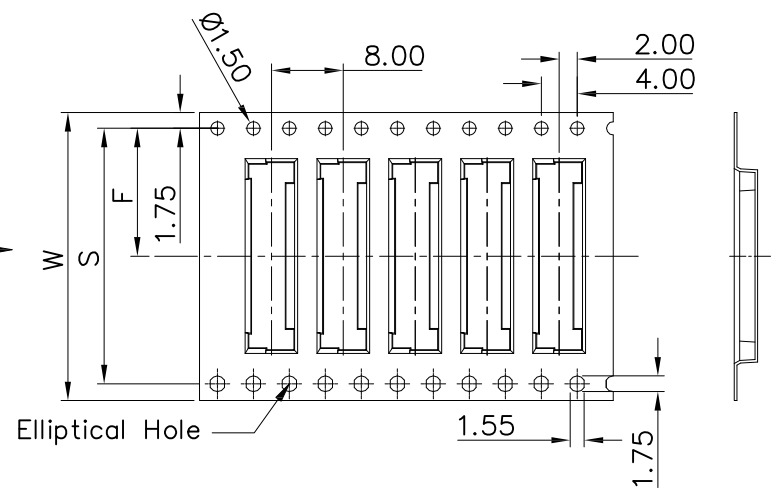
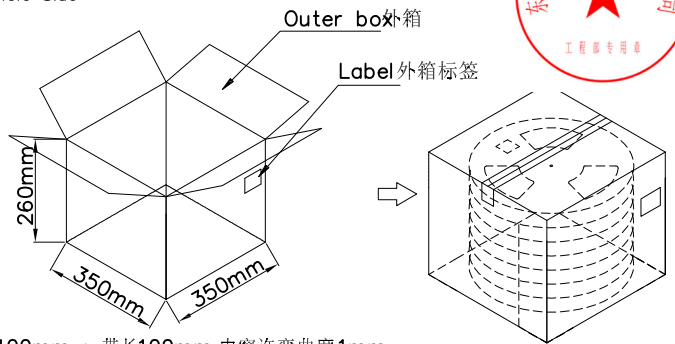
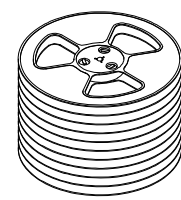
RoHS 包装图



COVER TAPE PEEL STRENGTH: 20~120g
 上带剥离力量: 20~120g
 速度 PEEL SPEED: 300mm/minute



Single hole: None Hole Side
 单孔: 贴无链孔侧
 Double hole: Elliptical Hole Side
 双孔: 贴椭圆孔侧



- Note:
- Carrier Camber Is Within 1mm In 100mm ; 带长100mm 内容许弯曲度1mm
 - 10 Sprocket Hole Pitch Cumulative Tolerance±0.2MM ; 圆孔十个孔距累计允许公差为±0.2mm
 - Material for PS ; 材质为 PS 无卤 透明
 - Thickness=0.30±0.05 ; 材料厚度为 0.30±0.05mm
 - Carton material 纸箱材质:K=K; Carton Thickness 纸箱厚度: 6±1mm

Part No.	A	B	W	S	F	T (MAX)	G(MAX)	REEL /PCS	CARTON /R	CARTON /PCS
A1301WRS-1x03	6.30									
A1301WRS-1x04	7.60									
A1301WRS-1x05	8.90	24	/	11.50	28.50	24.40	3500	8R	28K	
A1301WRS-1x06	10.20									
A1301WRS-1x07	11.50									
A1301WRS-1x08	12.80									
A1301WRS-1x09	14.10									
A1301WRS-1x10	15.40									
A1301WRS-1x11	16.70	32	28.40	14.20	36.40	32.40	3500	6R	21K	
A1301WRS-1x12	18.00									

DATE	REV	ECN NO.	DESCRIPTION	MODIFY	APPROVAL

GENERAL TOLERANCE	
.X	±0.30
.XX	±0.20
.XXX	±0.10
X.*	±0.2°

GYA 东莞市国亚电子有限公司
 Connectors Dong Guan Guo Ya Connectors co., ltd.

APPROVAL	CHECK	DRAWN	DATE
Yangzhengguo	Yangzhengyi	Lvtiansheng	2016/08/26

PART NO.: A1301WRS-1xxx-XXXX

TITLE: 1.30mm Connectors SMT 90° Packing

UNIT	SCALE	SHEET	REV	NUMBER
mm	1:1	1/1	A0	A-000