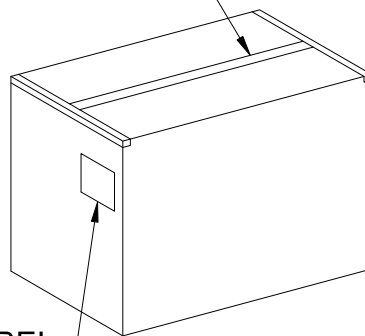


胶带ADHESIVE TAPE



标签LABEL

**Note注解:**

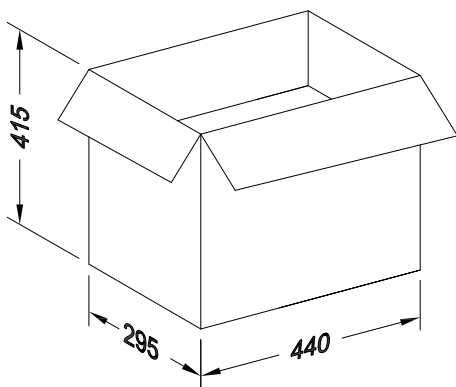
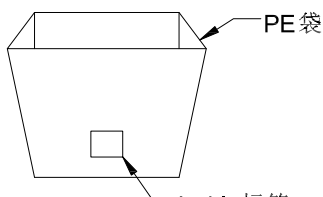
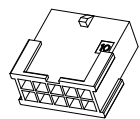
1. Place Housing into PE bag and seal PE bag. Label.  
将 Housing放入PE袋内, 并将PE袋封好, 贴上标签.
2. Put PE bag packed products in cartons, Packing detail see the table below  
将装好产品的PE袋放入纸箱内, 详细包装见下表
3. Label depends on customer request, carton opening joint with transparent tape.  
标签依客户要求而定, 纸箱开口处用透明胶带贴合.
4. There shall be no dirt such as deformation phenomenon, Mantissa box fillers must be used  
每箱不可有脏污, 变形现象, 尾数箱必须用填充物
5. Carton material: K=K, Carton thickness: 6~7mm  
纸箱材质:K=K, 纸箱厚度:6~7mm

PIN 数	规格/Specification		合计 Total
	PCS/PE PCS/袋	Bag/Carton 袋/箱	PCS/ Carton PCS/箱
2*01	1000	30	30,000
2*02	1000	18	18,000
2*03	1000	15	15,000
2*04	1000	12	12,000
2*05	500	18	9,000
2*06	500	15	7,500
2*07	500	15	7,500
2*08	500	12	6,000
2*09	500	12	6,000
2*10	500	10	5,000
2*11	500	9	4,500
2*12	500	9	4,500

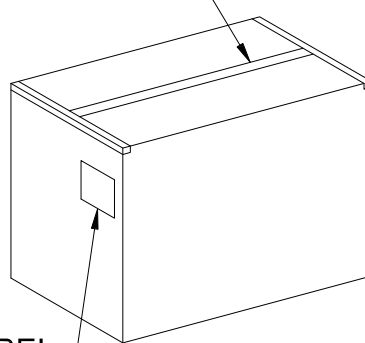
DATE	REV	ECN NO.	DESCRIPTION	MODIFY	APPROVAL	GENERAL TOLERANCE	APPROVAL				PART NO.:			
						.X ±0.35	东莞市国亚电子有限公司 Dong Guan Guo Ya Connectors co., Ltd.	CHECK	DRAWN	DATE	A3002HF-2*XX-N0HF-02			
					.XX ±0.25	TITLE:								
					.XXX ±0.15	3.00mm Housing Packing								
					X° ±0.2°	UNIT					SCALE	SHEET	REV	NUMBER
					孔 槽	Yangzhengguo	Yangjinyi	Lvtiansheng	2020/01/13	mm	1:1	1/1	A0	A-000

RoHS

包装图



胶带ADHESIVE TAPE



Note注解:

1. Place Housing into PE bag and seal PE bag. Label.  
将 Housing放入PE袋内, 并将PE袋封好.贴上标签.
2. Put PE bag packed products in cartons, Packing detail see the table below  
将装好产品的PE袋放入纸箱内, 详细包装见下表
3. Label depends on customer request, carton opening joint with transparent tape  
标签依客户要求而定, 纸箱开口处用透明胶带贴合.
4. There shall be no dirt such as deformation phenomenon, Mantissa box fillers must be used  
每箱不可有脏污,变形现象,尾数箱必须用填充物
5. Carton material: K=K, Carton thickness: 6~7mm  
纸箱材质:K=K, 纸箱厚度:6~7mm

PIN数	规格/Specification		合计Total
	PCS/PE PCS/袋	Bag/Carton 数/箱	PCS/ Carton PCS/箱
2*01	1000	36	36,000
2*02	1000	22	22,000
2*03	1000	18	18,000
2*04	1000	15	15,000
2*05	500	24	12,000
2*06	500	18	9,000
2*07	500	14	7,000
2*08	500	12	6,000
2*09	500	12	6,000
2*10	500	10	5,000
2*11	500	9	4,500
2*12	500	9	4,500

DATE	REV	ECN NO.	DESCRIPTION	MODIFY	APPROVAL

GENERAL TOLERANCE

.X	±0.35
.XX	±0.25
.XXX	±0.15
X°	±0.2°



东莞市国亚电子有限公司  
Dong Guan Guo Ya Connectors co., Ltd.

APPROVAL	CHECK	DRAWN	DATE
Yangzhengguo	Yangjinyi	Lvtiansheng	2020/01/13

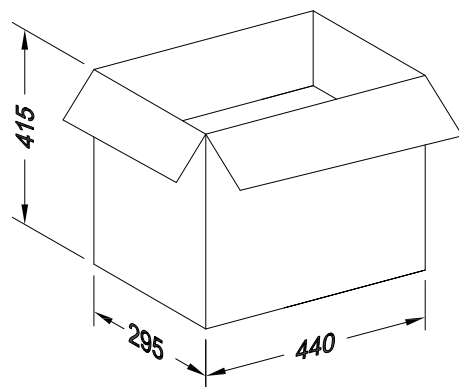
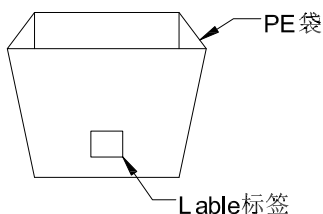
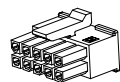
PART NO.:  
A3002HF-2\*XX-N0HF-01

TITLE:  
3.00mm Housing Packing

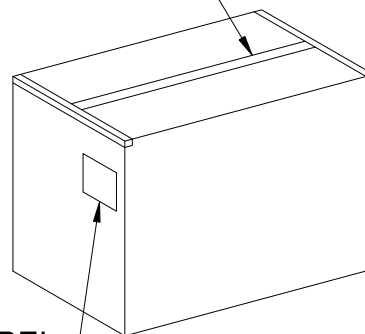
UNIT	SCALE	SHEET	REV	NUMBER
mm	1:1	1/1	A0	A-000

RoHS

包装图



胶带ADHESIVE TAPE



Note注解:

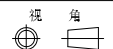
1. Place Housing into PE bag and seal PE bag. Label.  
将 Housing放入PE袋内, 并将PE袋封好. 贴上标签.
2. Put PE bag packed products in cartons, Packing detail see the table below  
将装好产品的PE袋放入纸箱内, 详细包装见下表
3. Label depends on customer request, carton opening joint with transparent tape  
标签依客户要求而定, 纸箱开口处用透明胶带贴合.
4. There shall be no dirt such as deformation phenomenon,  
Manissa box fillers must be used  
每箱不可有脏污, 变形现象, 尾数箱必须用填充物
5. Carton material: K=K, Carton thickness: 6~7mm  
纸箱材质:K=K, 纸箱厚度:6~7mm

PIN数	规格 / Specification		合计 Total
	PCS/PE PCS/袋	Bag/Carton 袋/箱	PCS/Carton PCS/箱
2*01	1000	45	45,000
2*02	1000	30	30,000
2*03	1000	24	24,000
2*04	1000	18	18,000
2*05	500	28	14,000
2*06	500	24	12,000
2*07	500	18	9,000
2*08	500	15	7,500
2*09	500	15	7,500
2*10	500	12	6,000
2*11	500	12	6,000
2*12	500	10	5,000

DATE	REV	ECN NO.	DESCRIPTION	MODIFY	APPROVAL

GENERAL TOLERANCE

.X	±0.35
.XX	±0.25
.XXX	±0.15
X°	±0.2°



东莞市国亚电子有限公司  
Dong Guan Guo Ya Connectors co., Ltd.

APPROVAL      CHECK      DRAWN      DATE

Yangzhengguo      Yangjinyi      LvTiansheng      2020/01/13

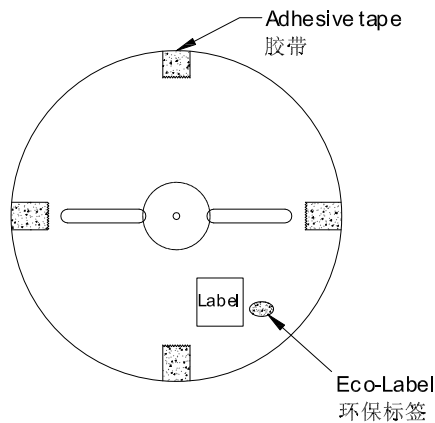
PART NO.:  
A3002HM-2\*XX-N0HF-00

TITLE:  
3.00mm Housing Packing

UNIT	SCALE	SHEET	REV	NUMBER
mm	1:1	1/1	A0	A-000

RoHS

包装图



Note注解:

1.Quantity数量:

10K PCS/REEL 一卷10K/PCS

9REEL/BOX 一箱9卷

90K PCS/BOX 一箱90K/PCS

2.Each reel and outer box must be labeled and Eco-Label Respectively labeled

每盘和外箱都必须有标签及环保标签分别标示

3.Terminal winding direction as shown

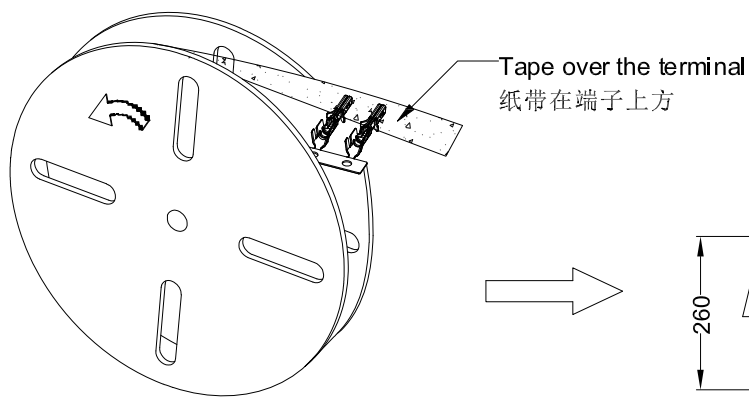
端子缠绕方向如左图所示

4. There shall be no dirt such as deformation phenomenon, Mantissa box fillers must be used

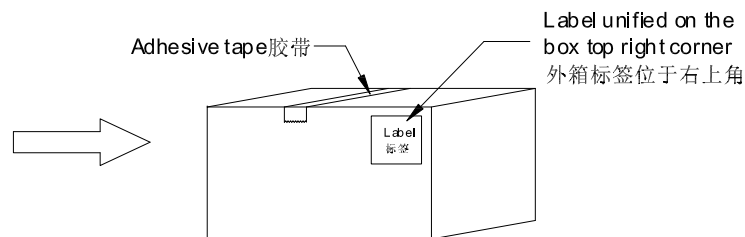
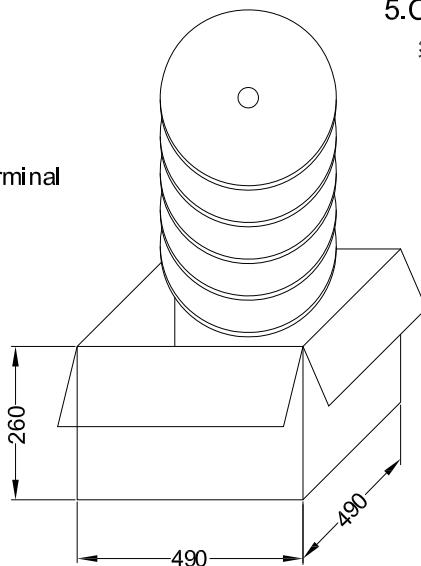
每箱不可有脏污, 变形现象, 尾数箱必须用填充物

5.Carton material: K=K, Carton thickness: 6~7mm

纸箱材质:K=K, 纸箱厚度:6~7mm



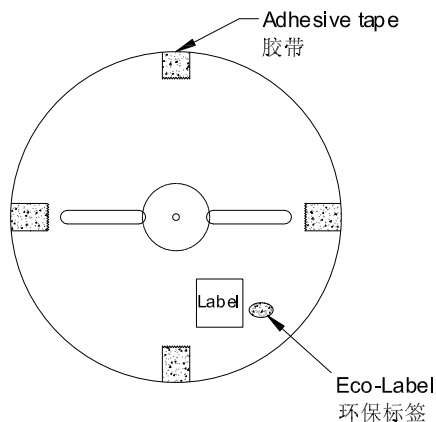
卷装方式  
Package way



					<b>GENERAL TOLERANCE</b> .X ±0.35 .XX ±0.25 .XXX ±0.15 X° ±0.2° 纸 堆				<b>GYA</b> 东莞市国亚电子有限公司 Connectors Dong Guan Guo Ya Connectors co., Ltd.				PART NO.: A3002TF-PXX-X							
					APPROVAL Yangzhengguo				CHECK Yangjinyi		DRAWN Lviansheng		DATE 2014/12/02			TITLE: 3.00mm Terminal Packing				
DATE	REV	ECN NO.	DESCRIPTION	MODIFY	APPROVAL			UNIT	SCALE	SHEET	REV	NUMBER								
								mm	1:1	1/1	A0	A-000								

RoHS

包装图



Note注解:

1.Quantity数量:

10K PCS/REEL 一卷10K/PCS

7REEL/BOX 一箱7卷

70K PCS/BOX 一箱70K/PCS

2.Each reel and outer box must be labeled and Eco-Label Respectively labeled

每盘和外箱都必须有标签及环保标签分别标示

3.Terminal winding direction as shown

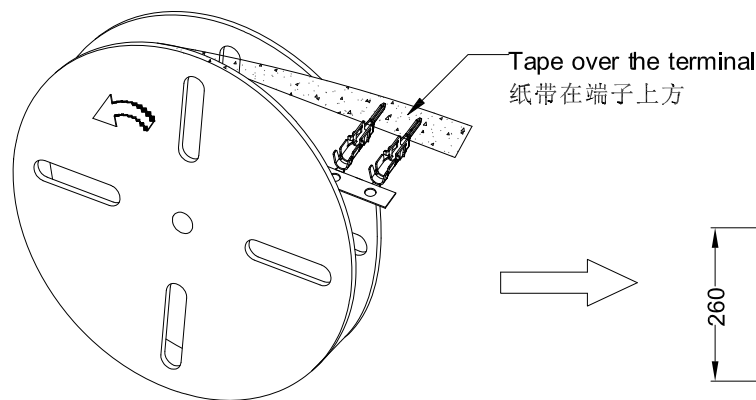
端子缠绕方向如左图所示

4. There shall be no dirt such as deformation phenomenon, Mantissa box fillers must be used

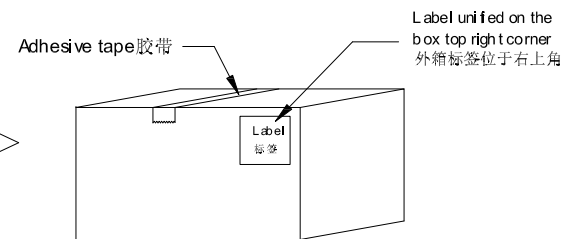
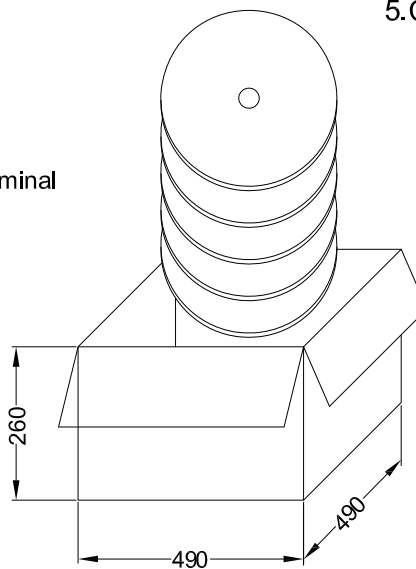
每箱不可有脏污, 变形现象, 尾数箱必须用填充物

5. Carton material: K=K, Carton thickness: 6~7mm

纸箱材质:K=K, 纸箱厚度:6~7mm



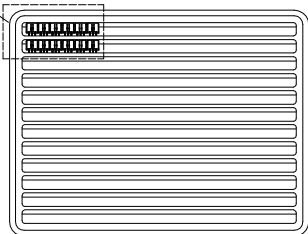
卷装方式  
Package way



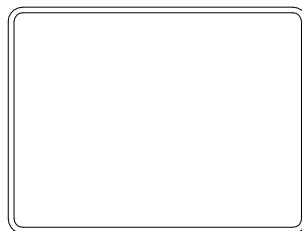
					<b>GENERAL TOLERANCE</b> .X ±0.35 .XX ±0.25 .XXX ±0.15 X° ±0.2° 纸 组 		<b>GYA</b> 东莞市国亚电子有限公司 Connectors Dong Guan Guo Ya Connectors co., Ltd.		PART NO.: A3002TM-PSN				
					APPROVAL Yangzhengguo		CHECK Yangjinyi		DRAWN Lviansheng		DATE 2014/12/02		
					TITLE: 3.00mm Terminal Packing								
DATE	REV	ECN NO.	DESCRIPTION		MODIFY	APPROVAL	UNIT	SCALE	SHEET	REV	NUMBER		
1	2	3	4		5	6	7	8	mm	1:1	1/1	A0	A-000



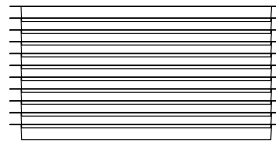
产品



吸塑盘



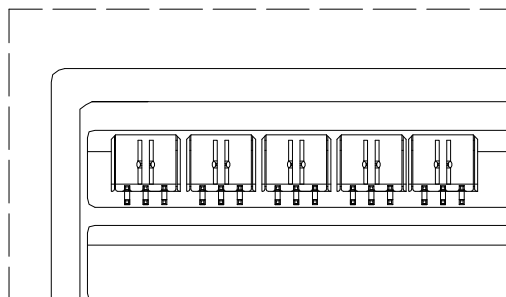
吸塑盘上盖



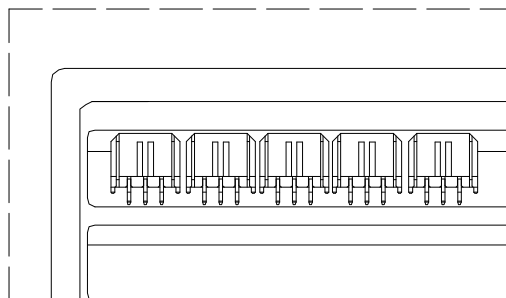
吸塑盒叠加

- 包装说明:
1. 将检验好的产品方向一致的摆入吸塑盒内, 将吸塑盒一层一层叠加至25层, 最上面放一层上盖, 并用PE膜缠绕作一捆。
  2. 用透明胶将纸箱四周封好, 将吸塑盘放入纸箱, 用透明胶将外箱封好并在外箱上贴上标签。
  3. 不满箱时, 需以填充物填充, 不可有晃动, 尾数包装需用不影响品质之物品填充并注明尾数。
  4. 吸塑盘尺寸: 300\*240\*15mm  
 纸箱尺寸: 310\*250\*300mm  
 纸箱材质: K=K  
 纸箱厚度: 6~7mm

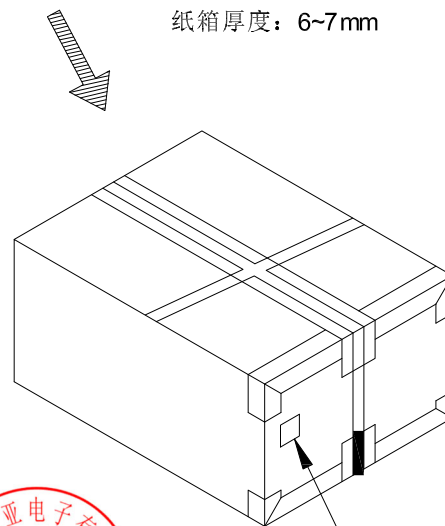
PIN位	每盘/Pcs	层/箱	Pcs/箱
2*01	504	25	12600
2*02	348	25	8700
2*03	264	25	6600
2*04	216	25	5400
2*05	180	25	4500
2*06	156	25	3900
2*07	132	25	3300
2*08	120	25	3000
2*09	108	25	2700
2*10	96	25	2400
2*11	84	25	2100
2*12	84	25	2100



局部放大图A(90度)



局部放大图A(180度)

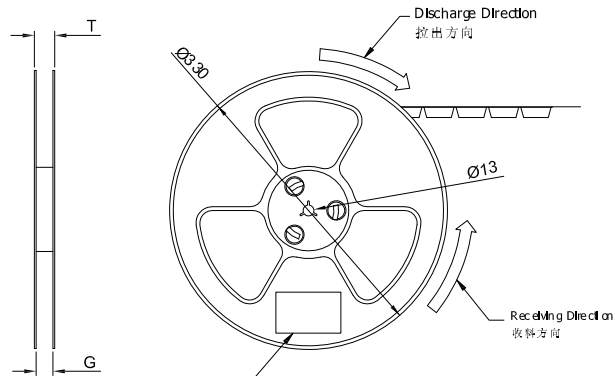
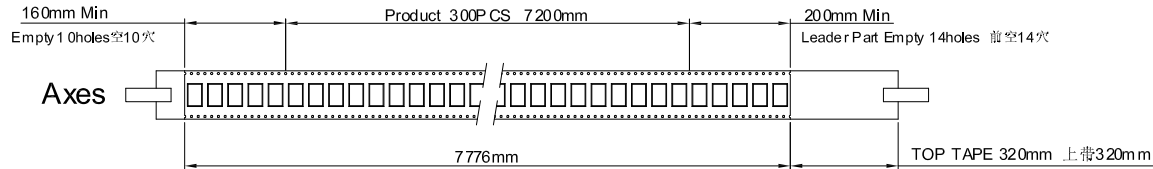


外箱标签



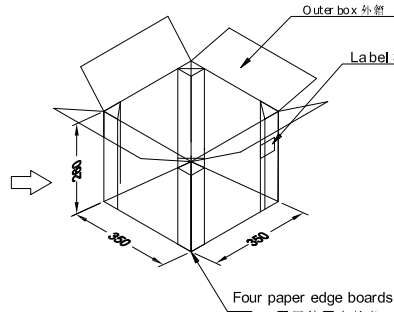
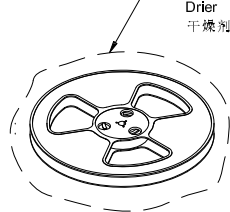
					<b>GENERAL TOLERANCE</b> .X ±0.35 .XX ±0.25 .XXX ±0.15 X° ±2° 纸 盘		<b>GYA</b> 东莞市国亚电子有限公司 Dong Guan Guo Ya Connectors co., Ltd.		PART NO.: A3002W R-2* XXX-LP XXXT A3002WV-2*X XX-LP XXXT TITLE: 3.0mm Wafer Package					
					APPROVAL	CHECK	DRAWN	DATE	UNIT SCALE SHEET REV NUMBER					
DATE	REV	ECN NO.	DESCRIPTION	MODIFY	APPROVAL	Yangzhengguo	Yangjinyi	Lvtiansheng	2018/09/19	mm	1:1	1/1	A0	A-000

RoHS 包装图

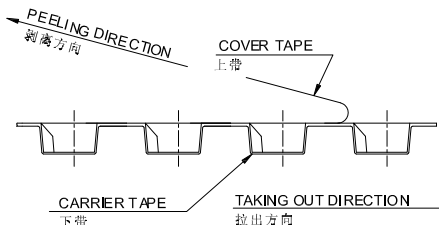


Label 标签  
Single hole: Non e Hole Side  
单孔: 贴无键孔侧  
Double hole: Elliptical Hole Side  
双孔: 贴椭圆孔侧

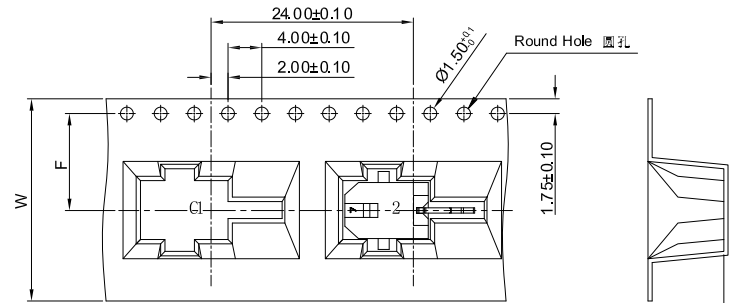
Vacuum packing  
真空包装  
Drier  
干燥剂放2包10g



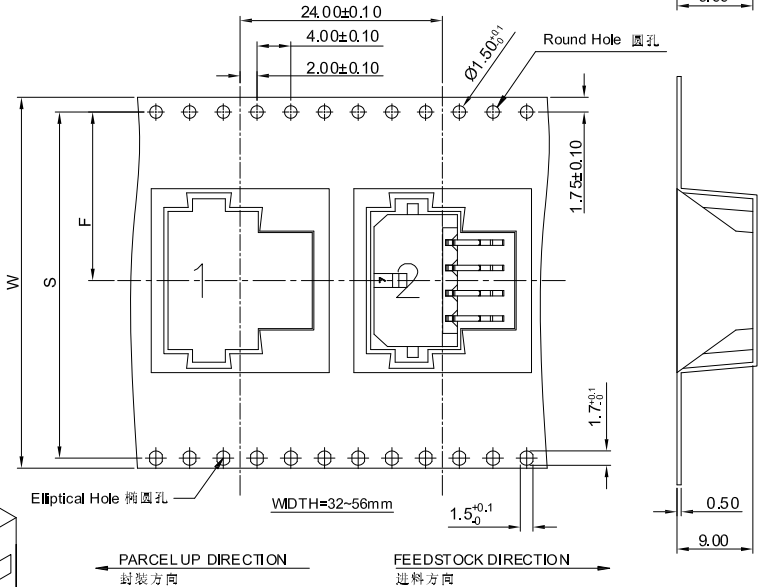
COVER TAPE PEEL STRENGTH:20~120g  
上带剥离力量: 20~120g  
速度 PEEL SPEED: 300mm/minute



- Note:
- Carrier Camber Is Within 1mm In 100mm; 带长100mm内容许弯曲度1mm
  - 10 Sprocket Hole Pitch Cumulative Tolerance±0.2MM; 圆孔十个孔距离累计允许公差为±0.2mm
  - Material for PS Black; 材质为PS材质 Color颜色: Natural透明色
  - bracer保护带; Color颜色:Natural透明色;厚度0.40mm最小
  - Thickness=0.50±0.05; 材料厚度为0.50±0.05mm
  - Cover Tape上带: 冷封上带
  - Carton material纸箱材质:K=K; Carton Thickness纸箱厚度: 6~7mm



WIDTH=24mm



Carrier Tape No. 载带料号	W	S	F	T	G	Co # Pin 间距 (mm)	Carrier Pitch (mm)	RE EL 每 PCS	CARTON 每箱	CARTON 总PCS
A3002WRS-2*01D	24	/	11.50	28.4	24.4	21.3			8	2400
A3002WRS-2*02D	32	28.4	14.20	36.4	32.4	25.5			6	1800
A3002WRS-2*03D										
A3002WRS-2*04D										
A3002WRS-2*05D										
A3002WRS-2*06D	44	40.4	20.20	48.4	44.4	37.5	透明色	300	5	1500
A3002WRS-2*07D										
A3002WRS-2*08D										
A3002WRS-2*09D										
A3002WRS-2*10D	56	52.4	26.20	60.4	56.4	48.5			4	1200
A3002WRS-2*11D										
A3002WRS-2*12D										



GENERAL TOLERANCE

.X	±0.35
.XX	±0.25
.XXX	±0.15
X°	±0.2°

**GYA** 东莞市国亚电子有限公司  
Connectors Dong Guan Guo Ya Connectors co., Ltd.

APPROVAL	CHECK	DRAWN	DATE
Yangzhengguo	Yangjinyi	Lvtiansheng	2016.12.10

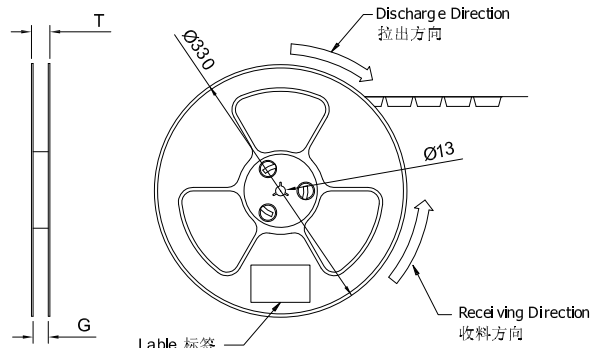
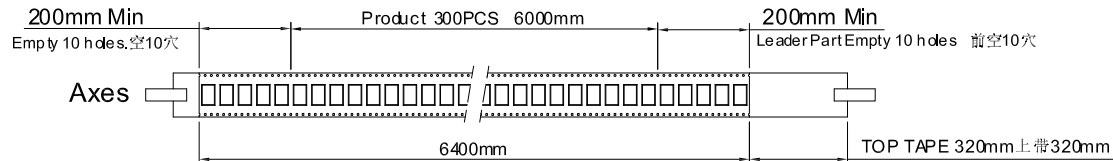
PART NO.:  
A3002WRS-2\*XXD-XXXX

TITLE:  
3.00mm Connectors 90° Packing

UNIT	SCALE	SHEET	REV	NUMBER
mm	1:1	1/1	A0	A-332

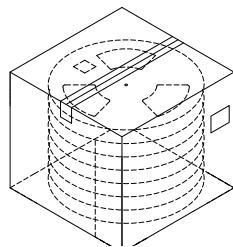
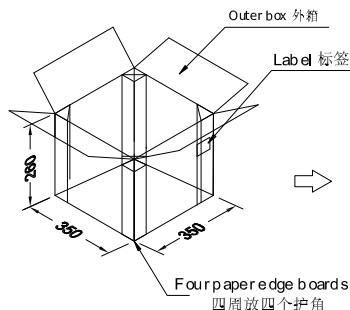
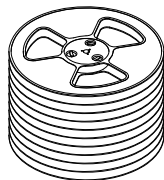
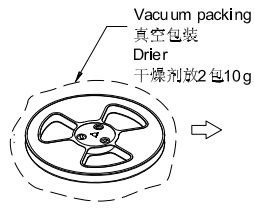
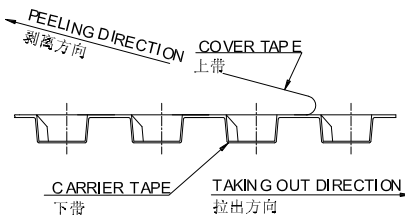
DATE	REV	ECN NO.	DESCRIPTION	MODIFY	APPROVAL

RoHS 包装图

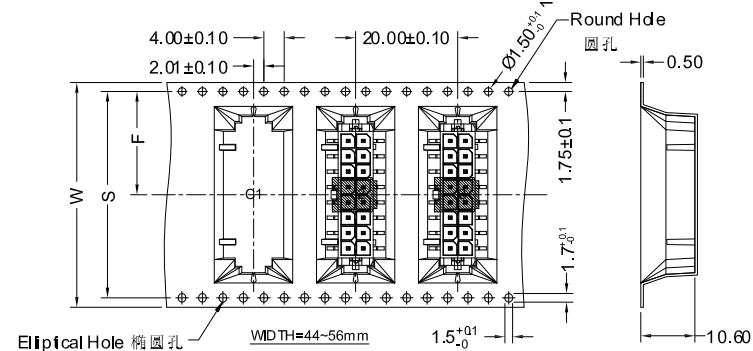
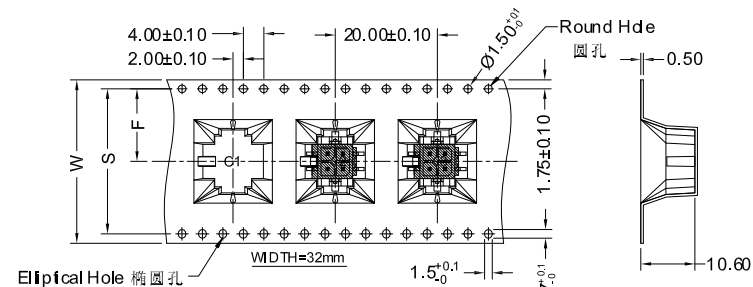
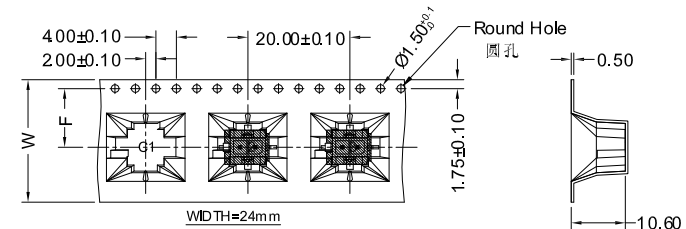


Label 标签  
Single hole: None Hole Side  
单孔: 贴无链孔侧  
Double hole: Elliptical Hole Side  
双孔: 贴椭圆孔侧

COVER TAPE PEEL STRENGTH: 20~120g  
上带剥离力量: 20~120g  
速度 PEEL SPEED: 300mm/minute



- Note:
- Carrier Camber Is Within 1mm In 100mm; 带长100mm内容许弯曲度1mm
  - 10 Sprocket Hole Pitch Cumulative Tolerance ±0.2MM; 圆孔十个孔距距离计允许公差为±0.2mm
  - Material for PS Natural; 材质为PS材质 Color 颜色: Natural 透明色
  - bracer 保护带: Cd 颜色: Natural 透明色; 厚度 0.40mm 最小
  - Thickness = 0.50 ± 0.05; 材料厚度为 0.50 ± 0.05mm
  - Cover Tape 上带: 冷封上带
  - Carbon material 纸箱材质: K=K; Carbon Thickness 纸箱厚度: 6~7mm



Carrier Tape No. 载带料号	W	S	F	T	G	Cover Tape (Color) 上带(颜色)	Carrier Tape (Color) 下带(颜色)	REEL 卷 /PCS	CARTON 箱/R	CARTON 箱/PCS
A3002 WVS-2*01D	24	/	11.50	28.4	24.4	21.3		300	8	2400
A3002 WVS-2*02D	32	28.4	14.20	36.4	32.4	25.5	透明色		6	1800
A3002 WVS-2*03D									5	1500
A3002 WVS-2*04D									4	1200
A3002 WVS-2*05D										
A3002 WVS-2*06D	44	40.4	20.20	48.4	44.4	37.5				
A3002 WVS-2*07D										
A3002 WVS-2*08D										
A3002 WVS-2*09D										
A3002 WVS-2*10D	56	52.4	26.20	60.4	56.4	49.5				
A3002 WVS-2*11D										
A3002 WVS-2*12D										

DATE	REV	ECN NO.	DESCRIPTION	MODIFY	APPROVAL

GENERAL TOLERANCE

.X	±0.35
.XX	±0.25
.XXX	±0.15
X°	±0.2°

**GYA** 东莞市国亚电子有限公司  
Connectors Dong Guan Guo Ya Connectors co., Ltd.

APPROVAL	CHECK	DRAWN	DATE
Yangzhengguo	Yangjinyi	Lvtiansheng	2016.12.10

PART NO.: A3002WVS-2\*XXD-LPXXX

TITLE: 3.00mm Connectors 180° Packing

UNIT	SCALE	SHEET	REV	NUMBER
mm	1:1	1/1	A0	A-203