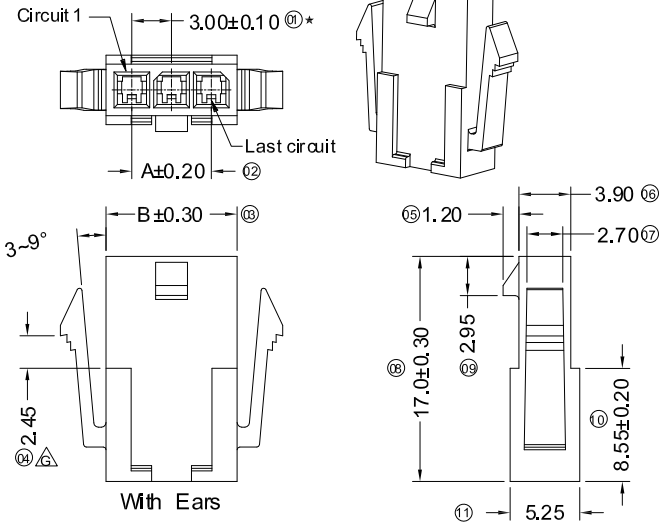
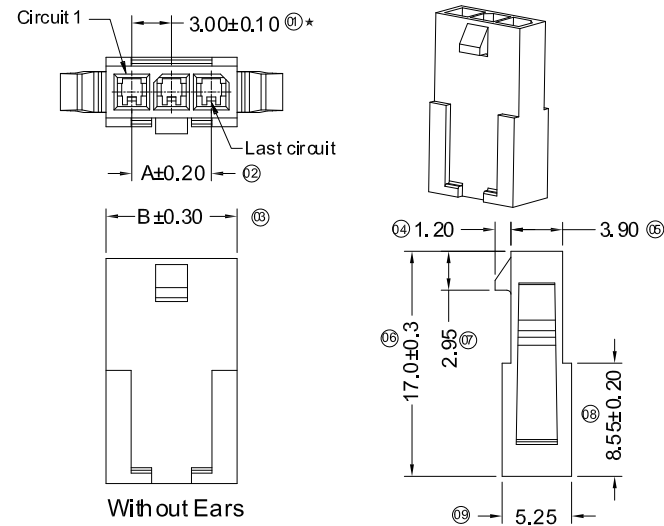


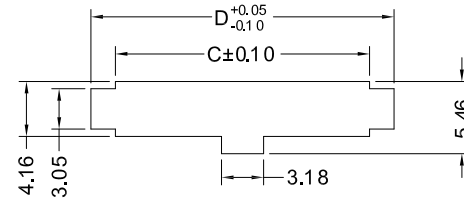
RoHS



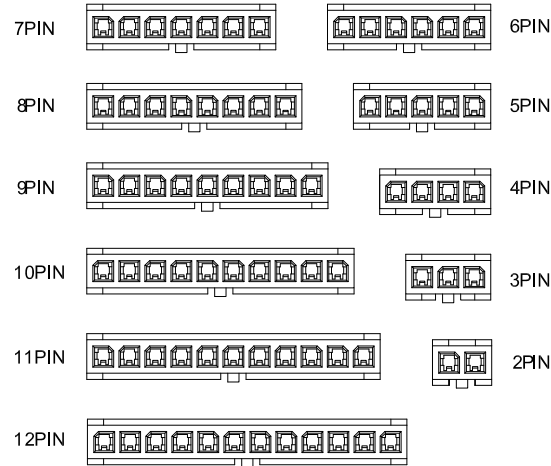
With Ears



Without Ears



With Ears Recommended P.C.B Layout
Thick=1.60~2.40±0.05mm



Specifications :

- Voltage rating: 250V AC / DC
- Current rating: 5A Max AC / DC
- Withstanding voltage: 1000V AC/minute
- Temperature range: -25°C~+85°C
- Insulation resistance: ≥1000MΩ
- Contact resistance: ≤10mΩ
- After environmental testing: ≤20mΩ
- Mates With GYA Housing: A3001HM
- Suitable GYA Terminal: A3001TM
- "★"Critical dimension

A3001 H F-XX X - N0 XX

① ② ③ ④ ⑤ ⑥ ⑦

- ① Series No.
- ② Category: H-HSG
- ③ Connector Type: F-Female HSG
- ④ Row No.-Pin No Per Row: XX-02P~12P
- ⑤ Special No.: I-Without Ears
G-With Ears
- ⑥ Material: N0-PA66 94V-0
- ⑦ Color: Blank-Black ; WH-White

Poles	Dimensions(mm)			
	A	B	C	D
02	3.00	6.90	7.21	10.89
03	6.00	9.90	10.21	13.89
04	9.00	12.90	13.21	16.89
05	12.00	15.90	16.21	19.89
06	15.00	18.90	19.21	22.89
07	18.00	21.90	22.21	25.89
08	21.00	24.90	25.21	28.89
09	24.00	27.90	28.21	31.89
10	27.00	30.90	31.21	34.89
11	30.00	33.90	34.21	37.89
12	33.00	36.90	37.21	40.89



GENERAL TOLERANCE

- .X ±0.30
- .XX ±0.20
- .XXX ±0.10
- X.* ±2°

GYA 东莞市国亚电子有限公司
Connectors DONGGUO GUOYAELECTRONICS CO.,LTD

PART NO.
A3001HF-XXX-N0

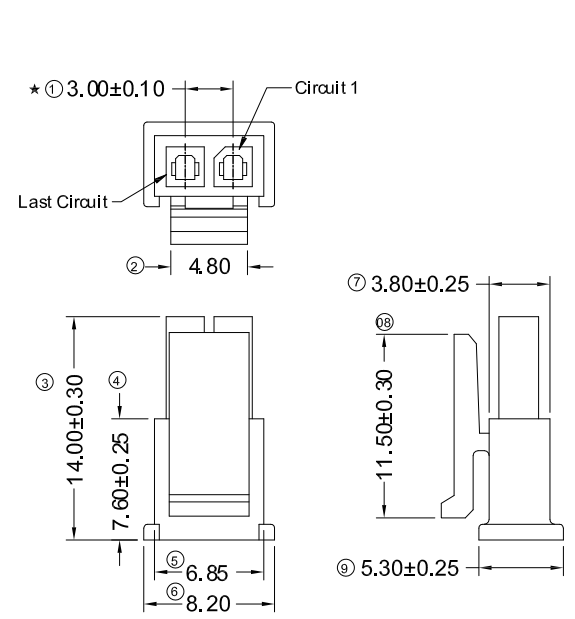
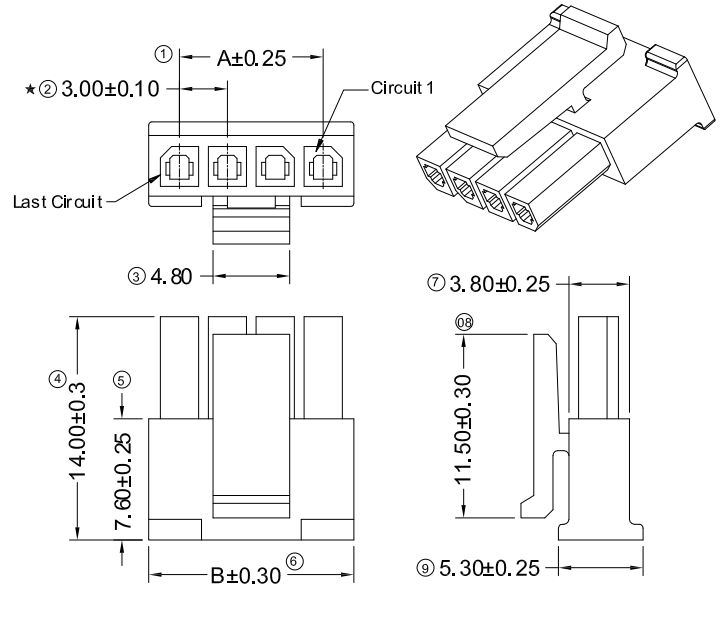
TITLE
3.00 mm Crimp Style Connectors

APPROVAL	CHECK	DRAWN	DATE
Yangzhengguo	Yangjinyi	Lvtiansheng	2007/05/03

UNIT	SCALE	SHEET	REV	NUMBER
mm	1:1	1/1	A0	A022

DATE	REV	ECN NO.	DESCRIPTION	MODIFY	APPROVAL
1					
2					
3					
4					
5					

RoHS



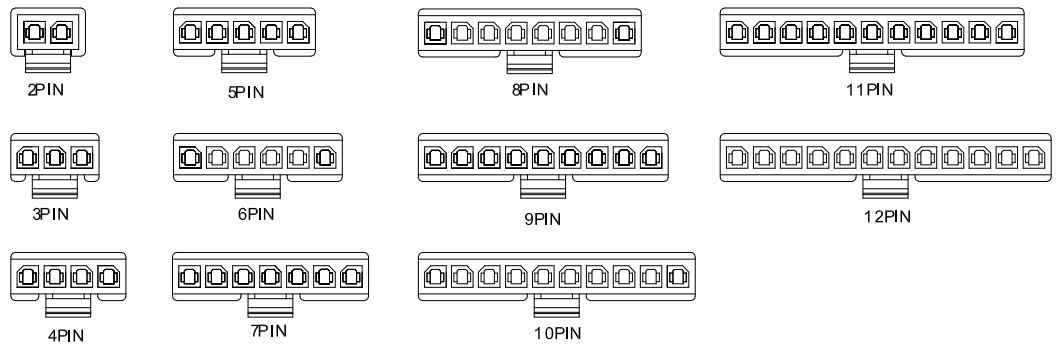
2PIN

- Specifications :
- Voltage rating: 250V AC / DC
 - Current rating: 5A Max AC / DC
 - Withstanding voltage: 1000V AC/minute
 - Temperature range: -25°C~+85°C
 - Insulation resistance: ≥1000MΩ
 - Contact resistance: ≤10mΩ
 - After environmental testing: ≤20mΩ
 - Suitable GYA Terminal: A3001TF Mates
 - With GYA Wafer: A3001W
 - "★"Critical dimension

A3001 H M-XX X- N0 XX

① ② ③ ④ ⑤ ⑥ ⑦

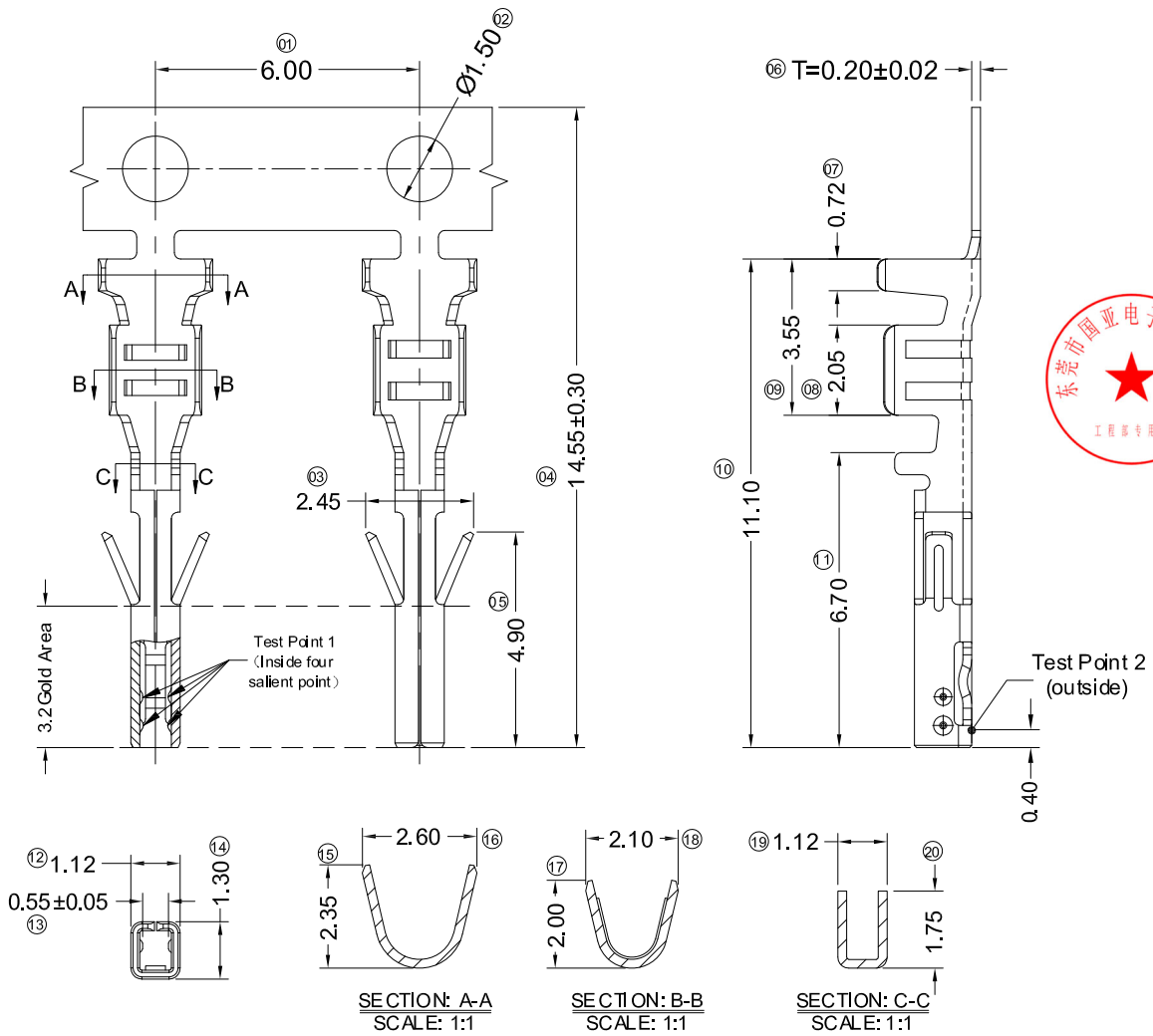
- ① Series No.
- ② Category: H-HSG
- ③ Connector Type: M-Male HGS
- ④ Row No.-Pin No Per Row: XX-02P~12P
- ⑤ Special No.: Blank-Ordinary
- ⚠ ⑥ Material: N0-PA66 94V-0
N2-PA66 94V-2
- ⑦ Color: Blank-Black



Poles	Dimensions (mm)		Poles	Dimensions (mm)	
	A	B		A	B
03	6.00	9.85	08	21.00	24.85
04	9.00	12.85	09	24.00	27.85
05	12.00	15.85	10	27.00	30.85
06	15.00	18.85	11	30.00	33.85
07	18.00	21.85	12	33.00	36.85

					GENERAL TOLERANCE		东莞市国亚电子有限公司 Connectors DONGGUO GUOYAELECTRONICS CO.,LTD			PART NO. A3001HM-XX-XX						
					.X ±0.30					TITLE 3.00 mm Crimp Style Connectors						
					.XX ±0.20											
					.XXX ±0.10					APPROVAL		CHECK		DRAWN		DATE
					X° ±2°		PROJECT		Yangzhengguo		Yangjinyi		Lvtiansheng		2007/05/03	
DATE	REV	ECN NO.	DESCRIPTION	MODIFY	APPROVAL							UNIT	SCALE	SHEET	REV	NUMBER
1		2										mm	1:1	1/1	A0	A-022

RoHS



- Specifications :
- Voltage rating: 250V AC / DC
 - Current rating: 5A Max AC / DC
 - Withstanding voltage: 1000V AC/minute
 - Temperature range: -25°C~+85°C
 - Insulation resistance: $\geq 1000M\Omega$
 - Contact resistance: $\leq 10m\Omega$
 - After environmental testing: $\leq 20m\Omega$

- Wire Size: AWG#20~24
- Insulation O.D.: 1.85mm Max
- Used In GYA Housing: A3001HM



A3001T F-P XX X- V
 01 02 03 04 05 06 07

- 01 Series Number
- 02 Category: T-terminal
- 03 Shape: F-Female Terminal
- 04 Material: P-Phosphor bronze
- 05 Plating Code:
 - G30- Contact point gold 30u"(inside test point 1)
Gold area1u"(outside test point 2)
Other area Ni 30u" Min
 - G15- Contact point gold 15u"(inside test point 1)
Gold area1u"(outside test point 2)
Other area Ni 30u" Min
 - G01-Contact Area Gold Flash (outside test point 2)
SN-Bright tin plating(outside test point 2)
- 06 Plating method: Blank-Stamping before plating
- 07 V-Convex hull limit

GENERAL TOLERANCE	
.X	± 0.30
.XX	± 0.20
.XXX	± 0.10
X.°	$\pm 2^\circ$

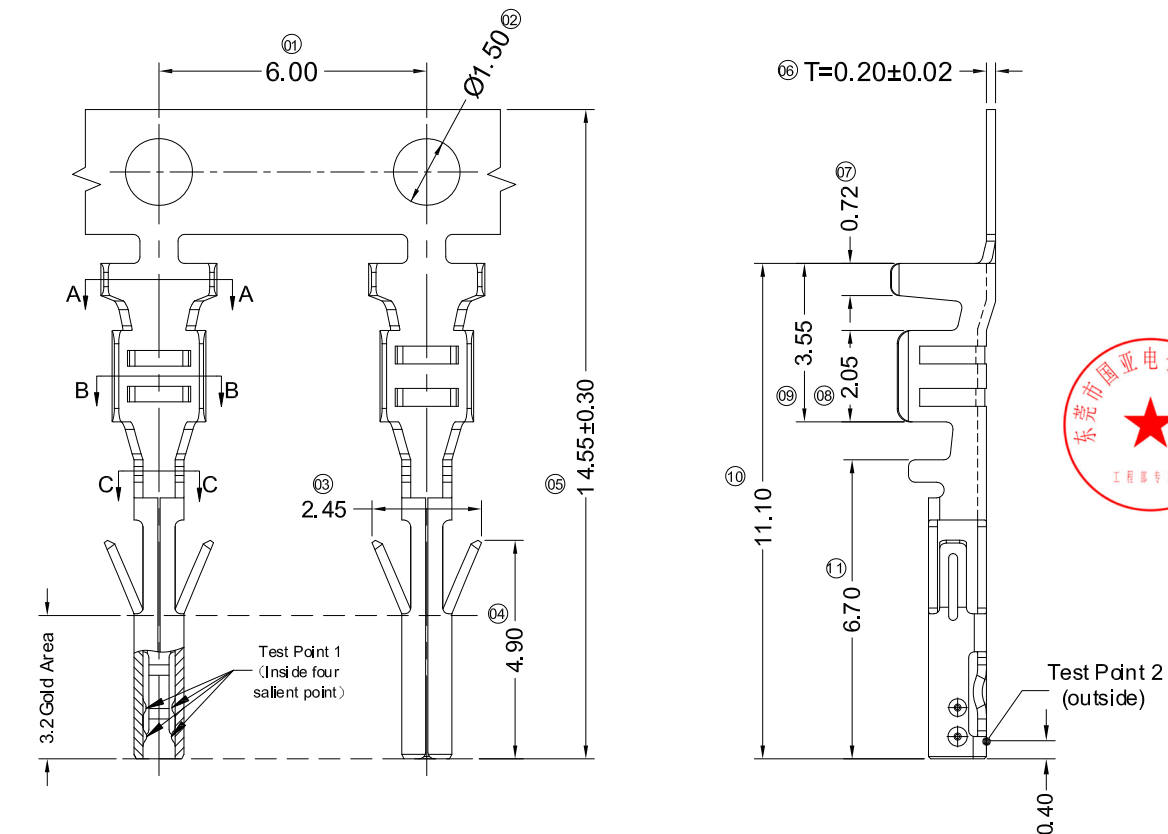
GYA 东莞市国亚电子有限公司
 Connectors DONGGUO GUOYAELECTRONICS CO.,LTD

PART NO.				
A3001TF-PXXX-V				
TITLE				
3.00mm Crimp Style Connectors				
UNIT	SCALE	SHEET	REV	NUMBER
mm	1:1	1/1	A0	A-000

DATE	REV	ECN NO.	DESCRIPTION	MODIFY	APPROVAL
1					
2					
3					
4					
5					

APPROVAL	CHECK	DRAWN	DATE
Yangzhengguo	Yangjinyi	Lvtiansheng	2017/09/14

RoHS

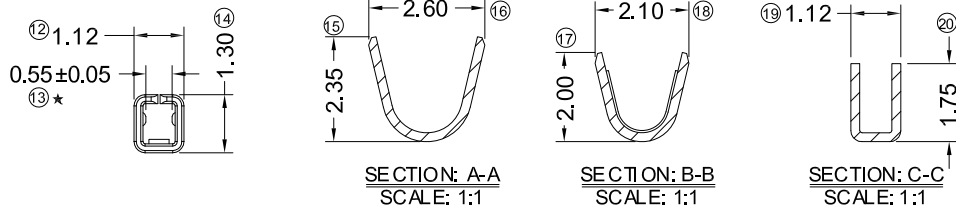


- Specifications :
- Voltage rating: 250V AC / DC
 - Current rating: 5A Max AC / DC
 - Withstanding voltage: 1000V AC/minute
 - Temperature range: -25°C~+ 85°C
 - Insulation resistance: ≥1000MΩ
 - Contact resistance: ≤10mΩ
 - After environmental testing: ≤20mΩ
- Wire Size: AWG#20~22(0.5~0.35mm²)
 - Insulation O.D.:1.85mm Max
 - Used In GYA Housing:A3001HM
 - "*"Critical dimension



A3001T F-P XX X- V
 ① ② ③ ④ ⑤ ⑥ ⑦

- ① Series Number
- ② Category: T-terminal
- ③ Shape: F-Female Terminal
- ④ Material: P-Phosphor bronze
- ⑤ Plating Code:
 - G30- Contact point gold 30u "(inside test piont 1)
Gold area1u"(outside test piont 2)
Other area Ni 30u" Min
 - G15- Contact point gold 15u "(inside test piont 1)
Gold area1u"(outside test piont 2)
Other area Ni 30u" Min
 - G01-Contact Area Gold Flash (outside test piont 2)
SN-Bright tin plating(outside test piont 2)
- ⑥ Plating method: Blank-Stamping before plating
- ⑦ V-Convex hull limit



GENERAL TOLERANCE	
.X	±0.30
.XX	±0.20
.XXX	±0.10
X°	±2°
PROJECT	

GYA 东莞市国亚电子有限公司
 Connectors DONGGUO GUOYA ELECTRONICS CO.,LTD

PART NO. A3001TF-PXXX-V

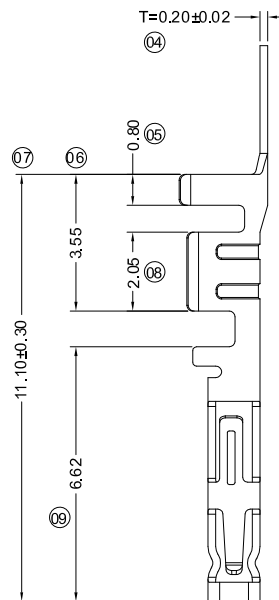
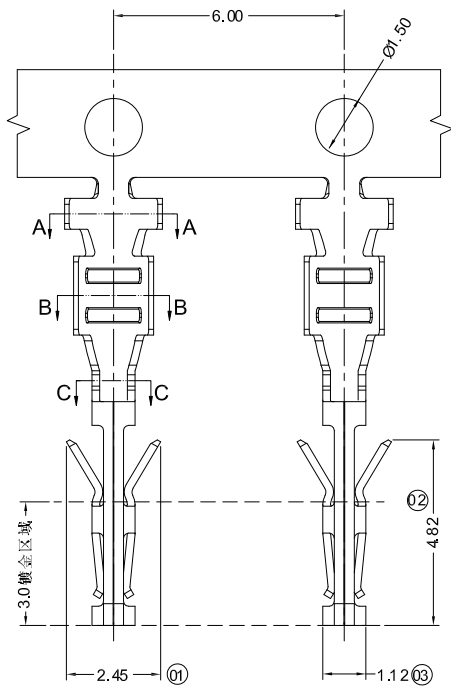
TITLE
 3.00mm Crimp Style Connectors

APPROVAL	CHECK	DRAWN	DATE
Yangzhengguo	Yangjinyi	Lvtlansheng	2017/09/14

UNIT	SCALE	SHEET	REV	NUMBER
mm	1:1	1/1	A0	A-000

DATE	REV	ECN NO.	DESCRIPTION	MODIFY	APPROVAL
1					
2					

RoHS



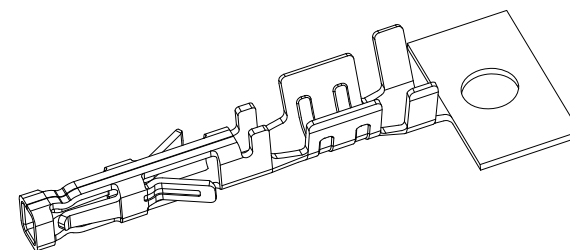
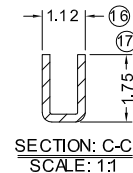
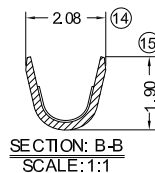
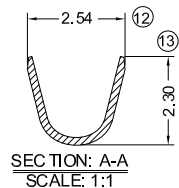
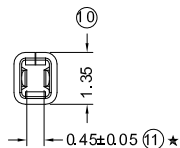
■ Specifications :

- Voltage rating: 250V AC / DC
- Current rating: 5A Max AC / DC
- Withstanding voltage: 1000V AC/minute
- Temperature range: -25°C~+ 85°C
- Insulation resistance: ≥1000MΩ
- Contact resistance: ≤10mΩ
- After environmental testing: ≤20mΩ
- Wire Range: AWG #20-22(0.50~0.35mm²)
- Insulation O.D: 1.85mm Max
- Used In GYA Housing: A3001HM
- "★"Critical dimension

A3001TF-P XXX X-B

① ② ③ ④ ⑤ ⑥ ⑦

- ① Series Number
- ② Category: T-terminal
- ③ Connector type: F-Female Terminal
- ④ Material: P-Phosphorbronze
- ⑤ Plating Code:
G30-Ni 20u" Min ; Contact Area 30u" Au
G15-Ni 20u" Min ; Contact Area 15u" Au
G01-Ni 50u" Min ; Contact Area Gld Flash
SN- Ni: 50u" Min Bright Tin 100u" Min
- ⑥ Plating method: Blank-Stamping before plating
- ⑦ Mold No. Mark/Special No. B-B Type



DATE	REV	ECN NO.	DESCRIPTION	MODIFY	APPROVAL
1					
2					
3					
4					

GENERAL TOLERANCE
.X ±0.30
.XX ±0.20
.XXX ±0.10
X.° ±2°
PROJECT

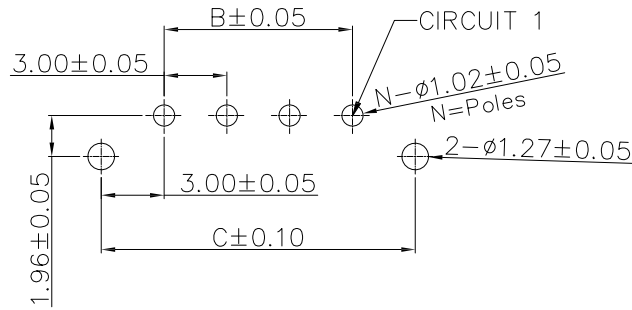
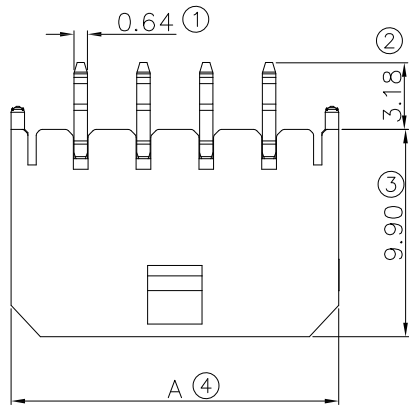
GYA 东莞市国亚电子有限公司
Connectors DONGGUO GUOYAELECTRONICS CO.,LTD

APPROVAL	CHECK	DRAWN	DATE
Yangzhengguo	Yangjlhyl	Lvtiansheng	2016/07/19

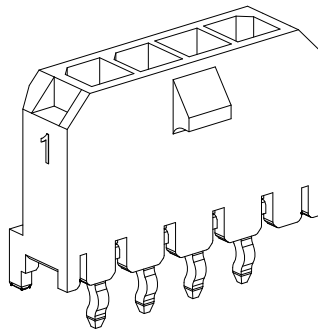
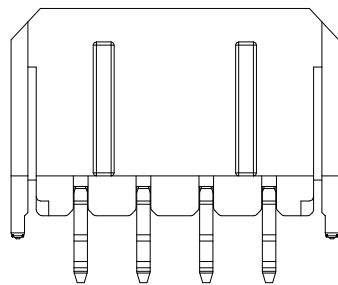
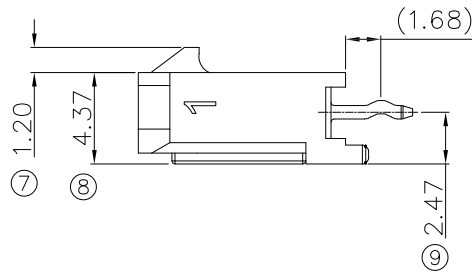
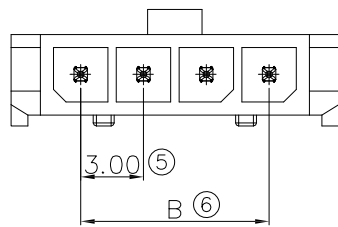
PART NO. A3001TF-PXXX-B				
TITLE 3.00mm Crimp Style Connectors				
UNIT	SCALE	SHEET	REV	NUMBER
mm	1:1	1/1	A0	A-000

RoHS

RD-1



Recommended P.C.B Layout(T=1.6mm)



Specifications :

- Voltage rating: 250V AC / DC
- Current rating: 5A Max AC / DC
- Withstanding voltage: 1000V AC/minute
- Temperature range: -25°C~+85°C
- Insulation resistance: ≥1000MΩ
- Contact resistance: ≤10mΩ
- After environmental testing: ≤20mΩ
- Product Specification: A3001H

A3001 W V X-XX I- LP SW1 BK T
① ② ③ ④ ⑤ ⑥ ⑦ ⑧ ⑨ ⑩

① Series No.

② Category: W-wafer

③ Connector Type: V- Straight 180°

④ Mouting Type: Blank-DIP

⑤ Row No.-Pin No.: XX-02Pin~12Pin

⑥ Special No.: I-Stamping terminal

⑦ Plastic material: LP-LCP UL94V-0

⑧ Planting Code: SW1-Matte tin

Ni: 40~120u"(1~3um) ;

Matte Tin: 80~200u"(2~5um).

⑨ Color: Bk-Black

⑩ Packing: T-Tray

Poles	Dimensions/mm		
	A	B	C
2	9.65	3.00	9.00
3	12.65	6.00	12.00
4	15.65	9.00	15.00
5	18.65	12.00	18.00
6	21.65	15.00	21.00
7	24.65	18.00	24.00
8	27.65	21.00	27.00
9	30.65	24.00	30.00
10	33.65	27.00	33.00
11	36.65	30.00	36.00
12	39.65	33.00	39.00



GENERAL TOLERANCE

X ±0.30

XX ±0.20

.XXX ±0.10

X° ±2°

PROJECT

① ②



东莞市国亚电子有限公司
DONGGUO GUOYAELECTRONICS CO.,LTD

PART NO.

A3001WV-XXI-LPSW1BKT

TITLE Micro-fit(3.0) single row vertical DIP CONN.

APPROVAL

Yangzhengguo

CHECK

Yangjinyi

DRAWN

Lvtiansheng

DATE

2020/4/2

UNIT

mm

SCALE

3:1

SHEET

1/1

REV

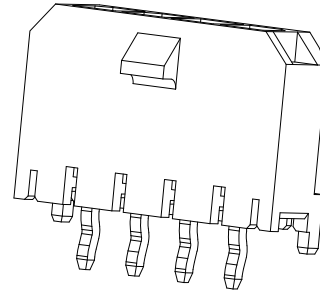
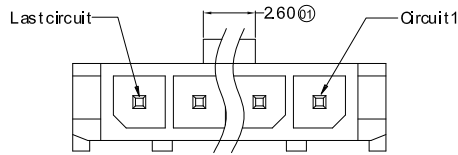
A

NUMBER

XXXX

DATE	REV	ECN NO.	DESCRIPTION	MODIFY	APPROVAL
1					
2					
3					
4					
5					

RoHS

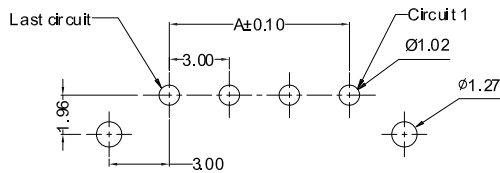
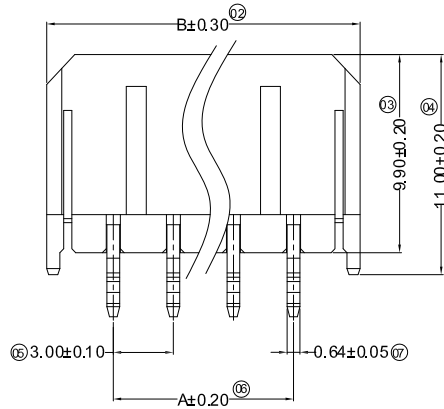
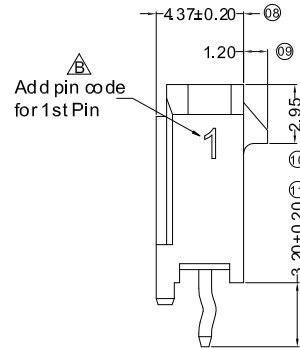


- Specifications :
- Voltage rating: 250 V AC / DC
 - Current rating: 5A Max AC / DC
 - Withstanding voltage: 1000V AC/minute
 - Temperature range: -25°C~+85°C(PA66 94V-0)
-40°C~+105°C(LCP 94V-0)
 - Insulation resistance: ≥1000MΩ
 - Contact resistance: ≤10mΩ
 - After environmental testing: ≤20mΩ

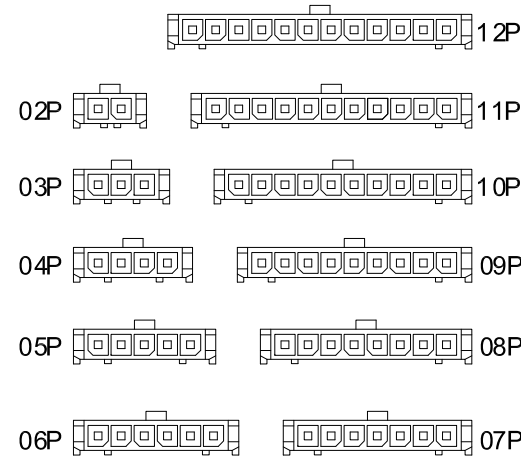
A3001 W V X- XX XX-XX XX XX - 07

① ② ③ ④ ⑤ ⑥ ⑦ ⑧ ⑨

- Series No.
- Category: W-Wafer
- Connector Type: V-180°
- Mouting Type: Blank-DIP
- Row No.-Pin No Per Row: XX-Single row
- Special NO.: Blank-ordinary
- Material : NO-PA66 94V-0; LP-LCP 94V-0
- Plating Code: SN-Bright Tin ; SW-Matte Tin
- Color: Blank-Black



Recommended P.C.B Layout
General Tolerance±0.05



CIRCUIT SIZE LAYOUT

Poles	Dimensions (mm)	
	A	B
2	3.00	9.65
3	6.00	12.65
4	9.00	15.65
5	12.00	18.65
6	15.00	21.65
7	18.00	24.65
8	21.00	27.65
9	24.00	30.65
10	27.00	33.65
11	30.00	36.65
12	33.00	39.65

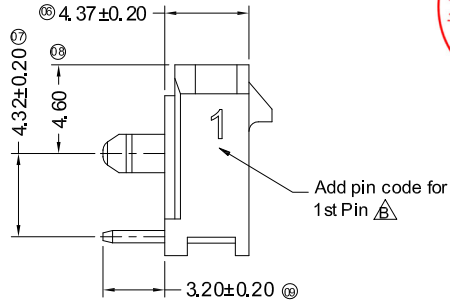
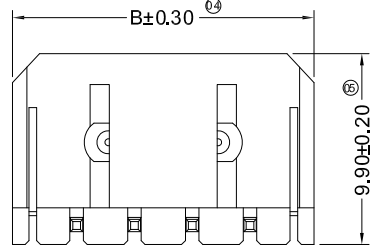
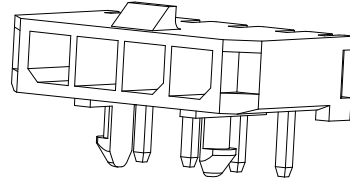
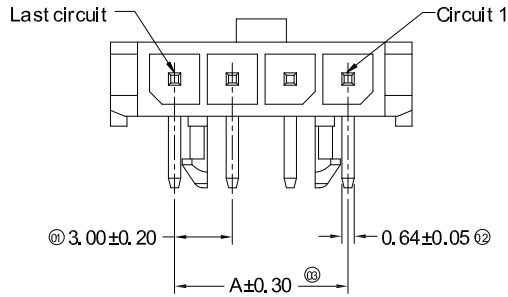
DATE	REV	ECN NO.	DESCRIPTION	MODIFY	APPROVAL	PROJECT	APPROVAL	CHECK	DRAWN	DATE	TITLE	UNIT	SCALE	SHEET	REV	NUMBER
						PROJECT	Yangzhengguo	Yangjinyi	Lvtiansheng	2020/02/26	3.00 mm Crimp Style Connectors	mm	1:1	1/1	A0	A-007

GENERAL TOLERANCE	
.X	±0.30
.XX	±0.20
.XXX	±0.10
X.°	±2°

GYA 东莞市国亚电子有限公司
Connectors DONGGUO GUOYAELECTRONICS CO.,LTD

PART NO.
A3001WV-XX-XXXX-07

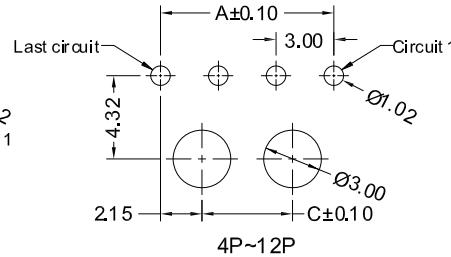
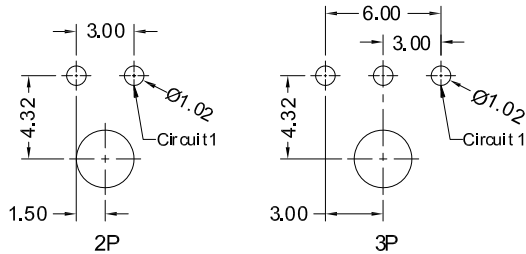
RoHS



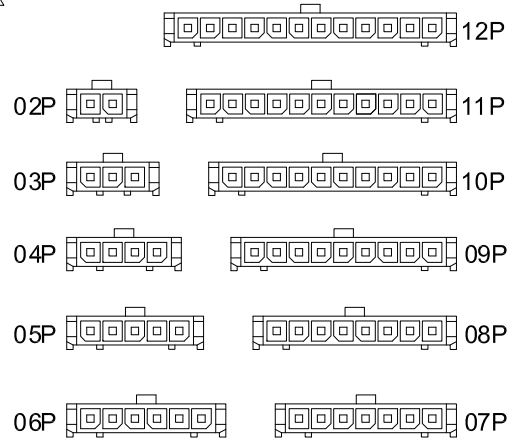
- Specifications :
- Voltage rating: 250V AC / DC
 - Current rating: 5A Max AC / DC
 - Withstanding voltage: 1000V AC/minute
 - Temperature range: -25°C~+85°C(PA66 94V-0)
-40°C~+105°C(LCP 94V-0)
 - Insulation resistance: ≥1000MΩ
 - Contact resistance: ≤10mΩ
 - After environmental testing: ≤20mΩ

A3001 W R X- XX X-XX XX XX - 07
① ② ③ ④ ⑤ ⑥ ⑦ ⑧ ⑨

- ① Series No.
- ② Category: W-Wafer
- ③ Connector Type: R-90°
- ④ Mounting Type: Blank-DIP
- ⑤ Row No.-Pin No.: XX-Single Row
- ⑥ Special No.: Blank-Ordinary
- ⑦ Material: N0-PA66 94V-0 ; LP-LCP 94V-0
- ⑧ Plating Code: SN-Bright Tin
V01-Gold Flash
- ⑨ Color: Blank-Black



Recommended P.C.B Layout
General Tolerance±0.05



Poles	Dimensions(mm)		
	A	B	C
02	3.00	9.65	--
03	6.00	12.65	--
04	9.00	15.65	4.70
05	12.00	18.65	7.70
06	15.00	21.65	10.70
07	18.00	24.65	13.70
08	21.00	27.65	16.70
09	24.00	30.65	19.70
10	27.00	33.65	22.70
11	30.00	36.65	25.70
12	33.00	39.65	28.70

CIRCUIT SIZE LAYOUT

GENERAL TOLERANCE	
.X	±0.30
.XX	±0.20
.XXX	±0.10
X.°	±2°

GYA 东莞市国亚电子有限公司
Connectors DONGGUO GUOYAELECTRONICS CO.,LTD

PART NO.
A3001WR-XX-XXXX-07

TITLE
3.00mm Crimp Style Connectors

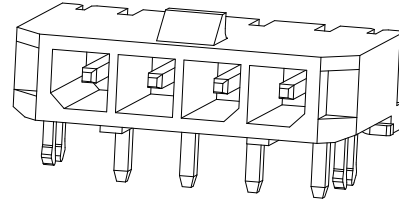
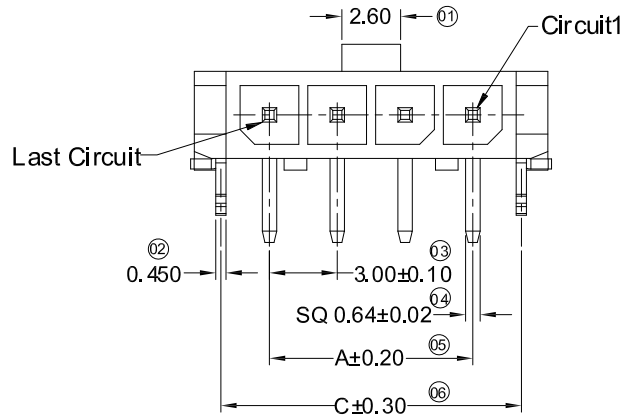
DATE	REV	ECN NO.	DESCRIPTION	MODIFY	APPROVAL
------	-----	---------	-------------	--------	----------

PROJECT

APPROVAL	CHECK	DRAWN	DATE
Yangzhengguo	Yangjinyi	Lvtiansheng	2018/07/23

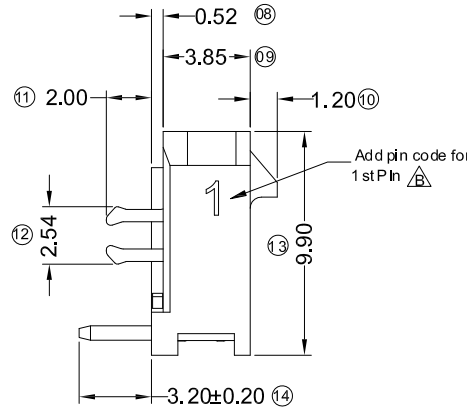
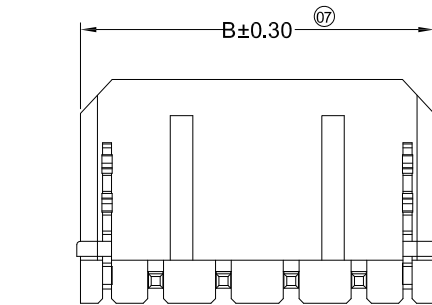
UNIT	SCALE	SHEET	REV	NUMBER
mm	1:1	1/1	A0	A-007

RoHS



■ Specifications :

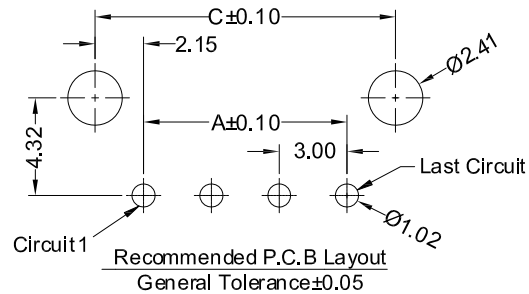
- Voltage rating: 250V AC / DC
- Current rating: 5A Max AC / DC
- Withstanding voltage: 1000V AC/minute
- Temperature range: -25°C~+85°C
- Insulation resistance: ≥1000MΩ
- Contact resistance: ≤10mΩ
- After environmental testing: ≤20mΩ
- Material(Pin):Brass
- Mates With GYA Housing: A3001HM-XX



A3001 W R X - XX C1 - LP SN XX

① ② ③ ④ ⑤ ⑥ ⑦ ⑧ ⑨

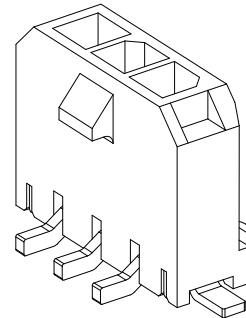
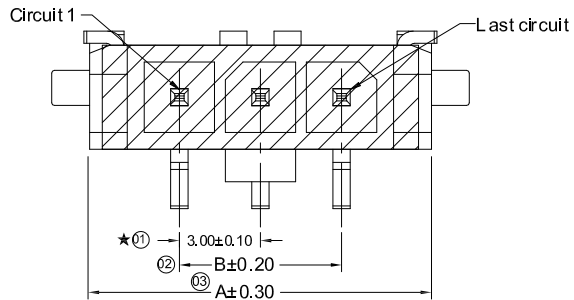
- ① Series No.
- ② Category: W-Wafer
- ③ Connector Type: R-90°
- ④ Mounting Type: Blank-DIP
- ⑤ Row No.-Pin No.: XX-01P~12P
- ⑥ Special No.: C1-The harpoon 2.00mm
- ⑦ Material: LP-LCP 94V-0
- ⑧ Plating Code: SN-Bright Tin
- ⑨ Color: Blank-Natural Color Black



Poles	Dimension s(mm)			Poles	Dimensions(mm)		
	A	B	C		A	B	C
01	--	6.65	4.30	07	18.00	24.65	21.30
02	3.00	9.65	7.30	08	21.00	27.65	24.30
03	6.00	12.65	10.30	09	24.00	30.65	27.30
04	9.00	15.65	13.30	10	27.00	33.65	30.30
05	12.00	18.65	16.30	11	30.00	36.65	33.30
06	15.00	21.65	19.30	12	33.00	39.65	34.30

						GENERAL TOLERANCE .X ±0.30 .XX ±0.20 .XXX ±0.10 X.° ±2° PROJECT 				GYA 东莞市国亚电子有限公司 Connectors DONGGUO GUOYU ELECTRONICS CO.,LTD				PART NO. A3001WR-XXC1-LPSN			
						APPROVAL CHECK DRAWN DATE Yangzhengguo Yangjinyi Lvliansheng 2015/05/05				TITLE 3.00mm Crimp Style Connectors							
DATE	REV	ECN NO.	DESCRIPTION	MODIFY	APPROVAL	UNIT	SCALE	SHEET	REV	NUMBER							
1		2	3	4	5	mm	1 : 1	1/1	A0	A-000							

RoHS

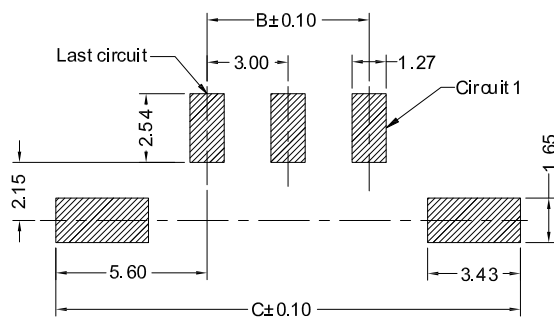
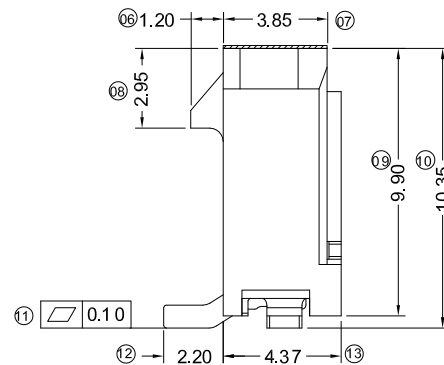
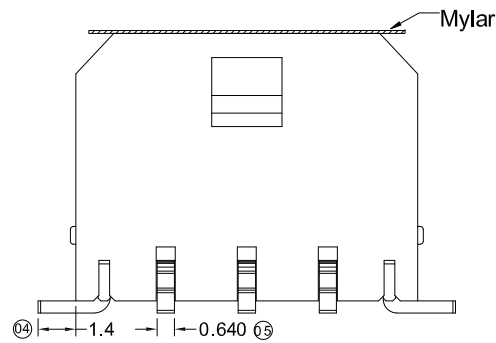


■ Specifications :

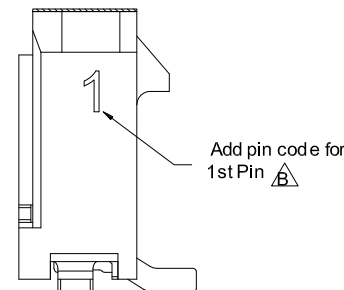
- Voltage rating: 250V AC / DC
- Current rating: 5A Max AC / DC
- Withstanding voltage: 1000V AC/minute
- Temperature range: -25°C~+85°C
- Insulation resistance: ≥1000MΩ
- Contact resistance: ≤10mΩ
- After environmental testing: ≤20mΩ
- Material(Pin&Solder Tabs):Brass
- Finish(Solder Tabs):Matte Tin Plating
- Mates With GYA Housing:A3001HM-XX
- "★"Critical dimension

A3001 W V S- XX D-LP XX X W

- ① ② ③ ④ ⑤ ⑥ ⑦ ⑧ ⑨ ⑩
- ① Series No.
 - ② Category: W-Wafer
 - ③ Connector Type: V-180°
 - ④ Mounting Type: S-SMT
 - ⑤ Row No.-Pin No Per Row: XX-Single Row
 - ⑥ Special No.: D-Solder Tabs
 - ⑦ Material: LP-LCP 94V-0
 - ⑧ Plating Code:
SW- Matte Tin
G30-Contact Area Au 30u" Min;
 - ⑨ Color: Blank-Black
 - ⑩ Packing: W-Mylar+Reel



Recommended P.C.B Layout
General Tolerance±0.05



Poles	Dimensions(mm)		
	A	B	C
02	9.65	3.00	14.20
03	12.65	6.00	17.20
04	15.65	9.00	20.20
05	18.65	12.00	23.20
06	21.65	15.00	26.20
07	24.65	18.00	29.20
08	27.65	21.00	32.20
09	30.65	24.00	35.20
10	33.65	27.00	38.20
11	36.65	30.00	41.20
12	39.65	33.00	44.20

GENERAL TOLERANCE

- .X ±0.30
- .XX ±0.20
- .XXX ±0.10
- X° ±2°



东莞市国亚电子有限公司
DONGGUO GUOYAELECTRONICS CO.,LTD

PART NO.
A3001WVS-XXD-LPXXXW

TITLE
3.00mm Crimp Style Connectors

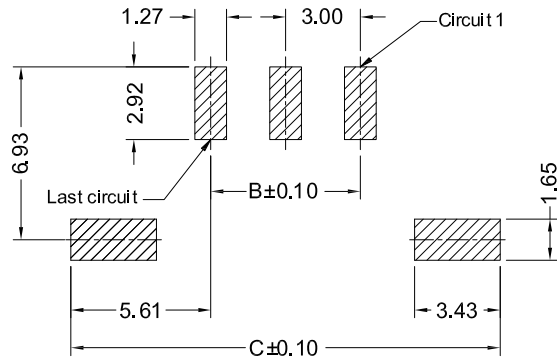
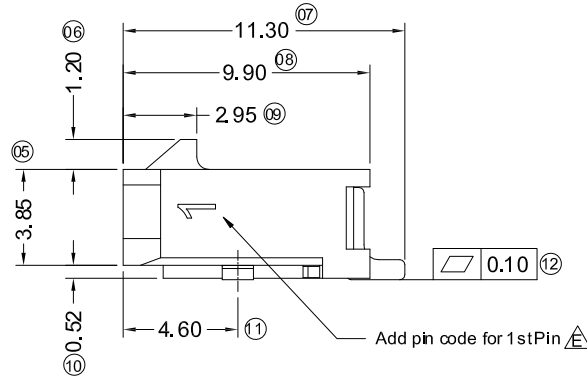
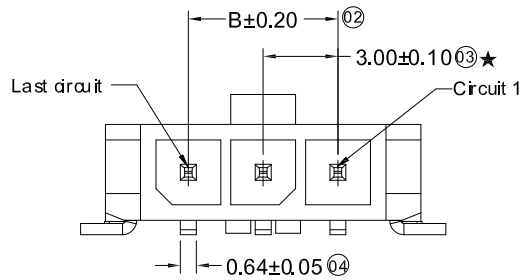
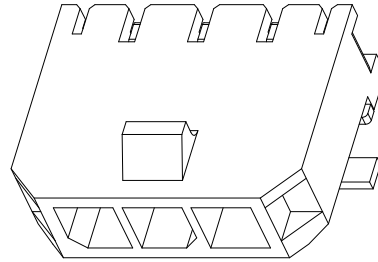
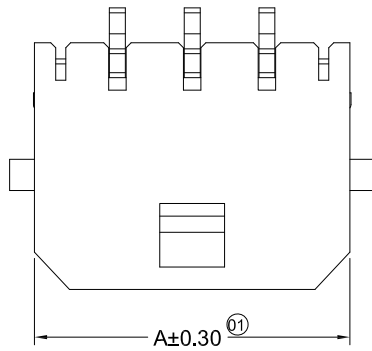
APPROVAL	CHECK	DRAWN	DATE
Yangzhengguo	Yangjinyi	Lvtiansheng	2019/02/20

UNIT	SCALE	SHEET	REV	NUMBER
mm	1:1	1/1	A0	A-000

DATE	REV	ECN NO.	DESCRIPTION	MODIFY	APPROVAL



RoHS



RECOMMENDED P.C.B LAYOUT
(TOLERANCE:±0.05)

■ Specifications :

- Voltage rating: 250V AC / DC
- Current rating: 5A Max AC / DC
- Withstanding voltage: 1000V AC/minute
- Temperature range: -25°C~+ 85°C
- Insulation resistance: ≥1000MΩ
- Contact resistance: ≤10mΩ
- After environmental testing: ≤20mΩ
- Material(Pin): Brass
- Material(Solder Tabs): Brass
- Finish(Solder Tabs): Matte Tin
- Mates With GYA Housing: A3001HM-XX
- "★"Critical dimension

A3001 WR S- XX D-LP SW XX

- ① ② ③ ④ ⑤ ⑥ ⑦ ⑧ ⑨
- ① Series No.
 - ② Category: W-Wafer
 - ③ Connector Type: R-Right Angle 90°
 - ④ Mounting Type: S-SMT
 - ⑤ Row No.-Pin No Per Row: XX-Single Row
 - ⑥ Special NO.: D-Solder Tabs
 - ⑦ Material: LP-LCP 94V-0
 - ⑧ Plating Code:
SW-Ni 50u" Min ; Matte Tin 100u"Min
G15- Contact Area Au 15u" Min
Solder Area Ni 50u" Min ; Matte Tin 100u"Min
 - ⑨ Color: Blank-Black Color

Poles	Dimensions(mm)		
	A	B	C
02	9.65	3.00	14.20
03	12.65	6.00	17.20
04	15.65	9.00	20.20
05	18.65	12.00	23.20
06	21.65	15.00	26.20
07	24.65	18.00	29.20
08	27.65	21.00	32.20
09	30.65	24.00	35.20
10	33.65	27.00	38.20
11	36.65	30.00	41.20
12	39.65	33.00	44.20



DATE	REV	ECN NO.	DESCRIPTION	MODIFY	APPROVAL	PROJECT	APPROVAL	CHECK	DRAWN	DATE	UNIT	SCALE	SHEET	REV	NUMBER
						PROJECT	Yangzhengguo	Yangjinyi	Lvtiansheng	2007/05/03	mm	1:1	1/1	A0	A-000

东莞市国亚电子有限公司
 DONGGUO GUOYAELECTRONICS CO.,LTD

PART NO.
A3001WRS-XXD-LPXXX

TITLE
3.00 mm Crimp Style Connectors