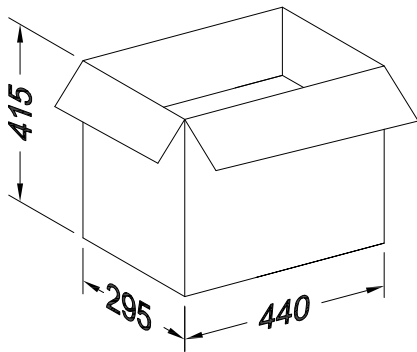
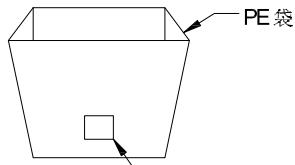
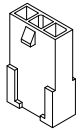
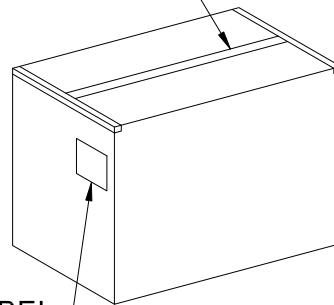


RoHS 包装图



胶带ADHESIVE TAPE

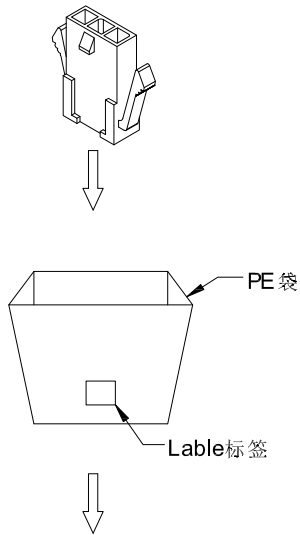


Note注解:

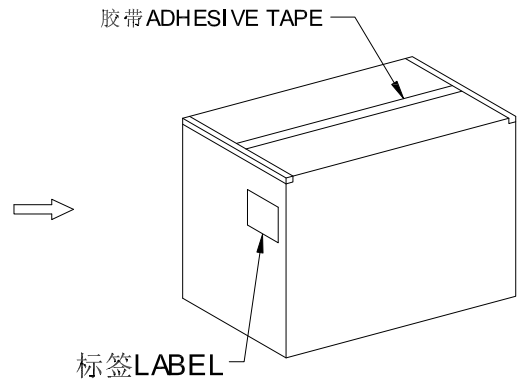
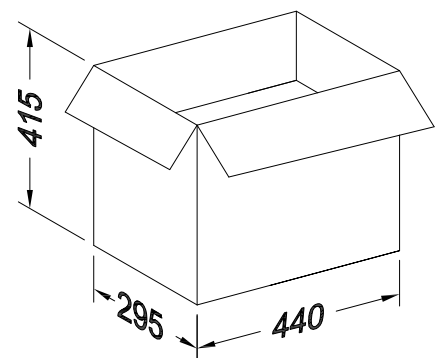
1. Place Housing into PE bag and seal PE bag. Label.  
将 Housing放入PE袋内, 并将PE袋封好. 贴上标签.
2. Put PE bag packed products in cartons, Packing detail see the table below  
将装好产品的PE袋放入纸箱内, 详细包装见下表
3. Label depends on customer request, carton opening joint with transparent tape  
标签依客户要求而定, 纸箱开口处用透明胶带贴合.
4. There shall be no dirt such as deformation phenomenon,  
Mantissa box fillers must be used  
每箱不可有脏污, 变形现象, 尾数箱必须用填充物
5. Carton material: K=K, Carton thickness: 6~7mm  
纸箱材质: K=K, 纸箱厚度: 6~7mm

PIN数	PE袋PE Bag		纸箱 Carton		合计 Total
	PCS/PE袋	尺寸 Size(cm)	Bag/Carton数量	尺寸 Size(cm)	
02	1000	18.5*20.5	38	44*29.5*41.5	38,000
03	1000	20.5*26	30	44*29.5*41.5	30,000
04	1000	20.5*26	22	44*29.5*41.5	22,000
05	1000	22.5*30.5	18	44*29.5*41.5	18,000
06	500	22.5*30.5	30	44*29.5*41.5	15,000
07	500	20.5*26	24	44*29.5*41.5	12,000
08	500	22.5*30.5	24	44*29.5*41.5	12,000
09	500	22.5*30.5	20	44*29.5*41.5	10,000
10	500	22.5*30.5	20	44*29.5*41.5	10,000
11	500	22.5*30.5	18	44*29.5*41.5	9,000
12	500	31*34	16	44*29.5*41.5	8,000

DATE	REV	ECN NO.	DESCRIPTION	MODIFY	APPROVAL	GENERAL TOLERANCE	<b>GYA</b> 东莞市国亚电子有限公司 Connectors Dong Guan Guo Ya Connectors co., Ltd.	PART NO. A3001 HF-XXI-XX						
						APPROVAL		CHECK	DRAWN	DATE	TITLE: 3.00mm Housing Packing			
						Yangzhengguo	Yangjinyi	Lvtiansheng	2019/02/27	UNIT	SCALE	SHEET	REV	NUMBER
1						.X ±0.35		mm	1:1	1/1	A0		A022	
2						.XX ±0.25								
3						.XXX ±0.15								
4						X° ±0.2°								



- Note注解:**
- Place Housing into PE bag and seal PE bag. Label.  
将 Housing放入PE袋内, 并将PE袋封好, 贴上标签.
  - Put PE bag packed products in cartons, Packing detail see the table below  
将装好产品的PE袋放入纸箱内, 详细包装见下表
  - Label depends on customer request, carton opening joint with transparent tape  
标签依客户要求而定, 纸箱开口处用透明胶带贴合.
  - There shall be no dirt such as deformation phenomenon, Mantissa box fillers must be used  
每箱不可有脏污, 变形现象, 尾数箱必须用填充物
  - Carton material: K=K, Carton thickness: 6~7mm  
纸箱材质: K=K, 纸箱厚度: 6~7mm



PIN数	PE袋PE Bag		纸箱 Carton		合计 Total
	PCS/PE PCS/袋	尺寸Size(cm)	Bag /Carton 数/箱	尺寸Size(cm)	
02	1000	20.5*26	30	44*29.5*41.5	30,000
03	1000	20.5*26	24	44*29.5*41.5	24,000
04	1000	22.5*30.5	18	44*29.5*41.5	18,000
05	1000	22.5*30.5	15	44*29.5*41.5	15,000
06	500	20.5*26	24	44*29.5*41.5	12,000
07	500	20.5*26	24	44*29.5*41.5	12,000
08	500	22.5*30.5	20	44*29.5*41.5	10,000
09	500	22.5*30.5	20	44*29.5*41.5	10,000
10	500	22.5*30.5	18	44*29.5*41.5	9,000
11	500	22.5*30.5	16	44*29.5*41.5	8,000
12	500	31*34	16	44*29.5*41.5	8,000

**GENERAL TOLERANCE**

.X	±0.35
.XX	±0.25
.XXX	±0.15
X°	±0.2°

**GYA** 东莞市国亚电子有限公司  
Connectors Dong Guan Guo Ya Connectors co., Ltd.

**PART NO.**  
A3001HF-XXG-XX

**APPROVAL**    **CHECK**    **DRAWN**    **DATE**

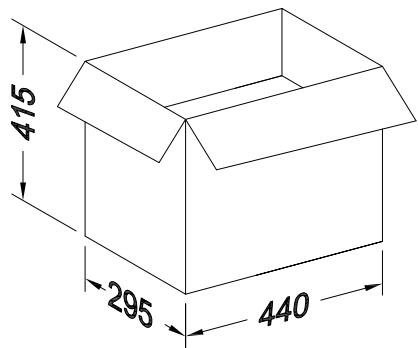
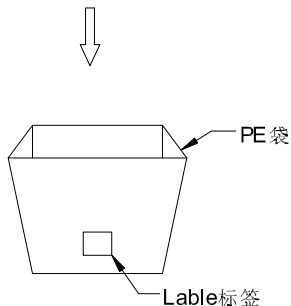
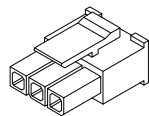
**TITLE:**  
3.00mm Housing Packing

DATE	REV	ECN NO.	DESCRIPTION	MODIFY	APPROVAL
------	-----	---------	-------------	--------	----------

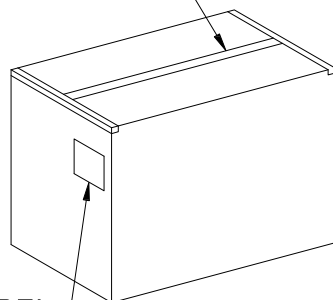
Yangzhengguo    Yangjinyi    Lvtiansheng    2019/02/27

UNIT	SCALE	SHEET	REV	NUMBER
m m	1:1	1/1	A0	A022

RoHS 包装图



胶带ADHESIVE TAPE



标签LABEL

Note注解:

- Place Housing into PE bag and seal PE bag. Label.  
将 Housing放入PE袋内, 并将PE袋封好. 贴上标签.
- Put PE bag packed products in cartons, Packing detail see the table below  
将装好产品的PE袋放入纸箱内, 详细包装见下表
- Label depends on customer request, carton opening joint with transparent tape  
标签依客户要求而定, 纸箱开口处用透明胶带贴合.
- There shall be no dirt such as deformation phenomenon, Mantissa box fillers must be used  
每箱不可有脏污, 变形现象, 尾数箱必须用填充物
- Carton material: K=K, Carton thickness: 6~7mm  
纸箱材质:K=K, 纸箱厚度: 6~7mm

PIN数	PE袋PE Bag		纸箱 Carton		合计 Total
	PCS/PE Bag	尺寸 Size(cm)	Bag/Carton 数量	尺寸 Size(cm)	
02	1000	18.5*20.5	45	44*29.5*41.5	45,000
03	1000	20.5*26	36	44*29.5*41.5	36,000
04	1000	20.5*26	30	44*29.5*41.5	30,000
05	1000	22.5*30.5	23	44*29.5*41.5	23,000
06	1000	22.5*30.5	22	44*29.5*41.5	22,000
07	1000	22.5*30.5	15	44*29.5*41.5	15,000
08	1000	22.5*30.5	15	44*29.5*41.5	15,000
09	500	22.5*30.5	24	44*29.5*41.5	12,000
10	500	22.5*30.5	20	44*29.5*41.5	10,000
11	500	22.5*30.5	18	44*29.5*41.5	9,000
12	500	22.5*30.5	15	44*29.5*41.5	7,500

GENERAL TOLERANCE

.X	±0.35
.XX	±0.25
.XXX	±0.15
X°	±0.2°



东莞市国亚电子有限公司  
Dong Guan Guo Ya Connectors co., Ltd.

PART NO. A3001HM-XX-XX

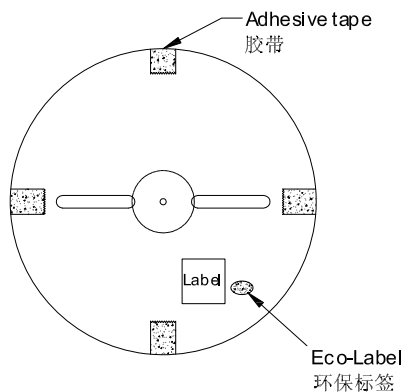
TITLE: 3.00mm Housing Packing

APPROVAL	CHECK	DRAWN	DATE
Yangzhengguo	Yangjinyi	Lvtiansheng	2019/02/27

UNIT	SCALE	SHEET	REV	NUMBER
mm	1:1	1/1	A0	A022

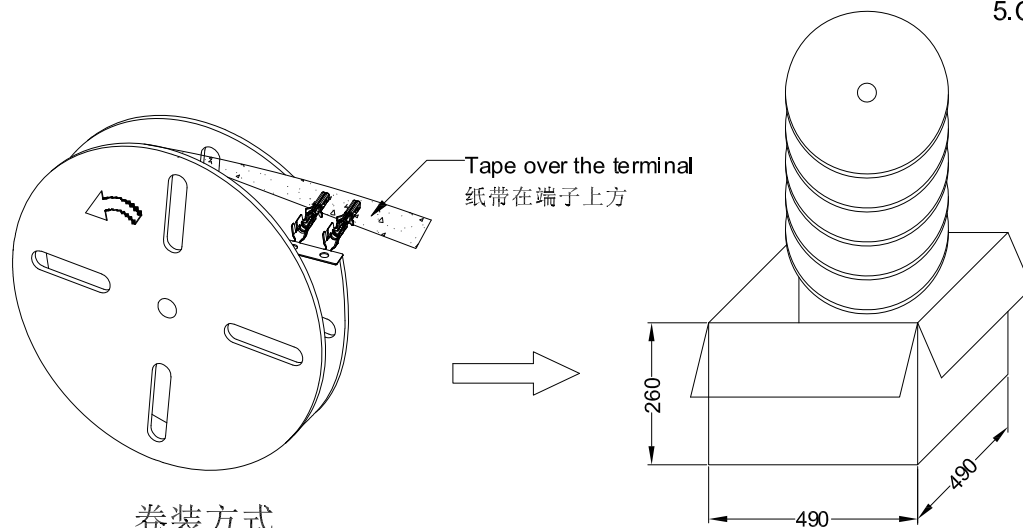
DATE	REV	ECN NO.	DESCRIPTION	MODIFY	APPROVAL
1					

RoHS 包装图

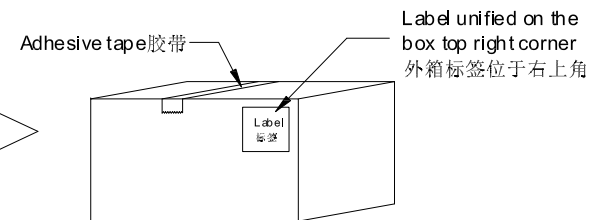


Note注解:

- Quantity数量:  
10K PCS/REEL 一卷10K/PCS  
9REEL/BOX 一箱9卷  
90K PCS/BOX 一箱90K/PCS
- Each reel and outer box must be labeled and Eco-Label Respectively labeled  
每盘和外箱都必须有标签及环保标签分别标示
- Terminal winding direction as shown  
端子缠绕方向如左图所示
- There shall be no dirt such as deformation phenomenon on, Mantissa box fillers must be used  
每箱不可有脏污, 变形现象, 尾数箱必须用填充物
- Carton material: K=K, Carton thickness: 6~7mm  
纸箱材质:K=K, 纸箱厚度:6~7mm



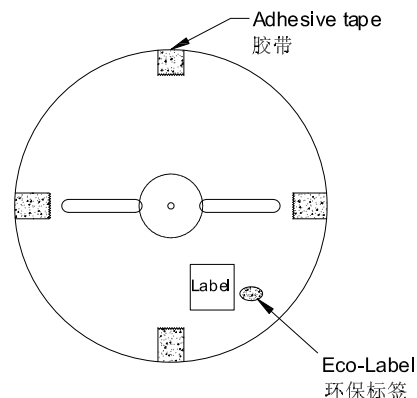
卷装方式  
Package way



					<b>GENERAL TOLERANCE</b> X ±0.35 XX ±0.25 XXX ±0.15 X° ±0.2° 视角				<b>GYA</b> 东莞市国亚电子有限公司 Connectors Dong Guan Guo Ya Connectors co., Ltd.				PART NO. A3001TF-PXX-X TITLE: 3.00mm Terminal Packing			
DATE	REV	ECN NO.	DESCRIPTION	MODIFY	APPROVAL	APPROVAL	CHECK	DRAWN	DATE	UNIT	SCALE	SHEET	REV	NUMBER		
						Yangzhengguo	Yangjinyi	Lvtiansheng	2014/12/02	mm	1:1	1/1	A0	A-000		

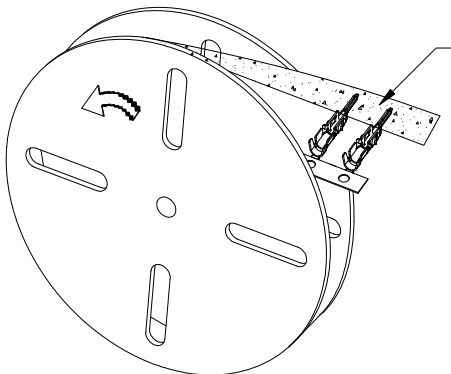
RoHS

包装图

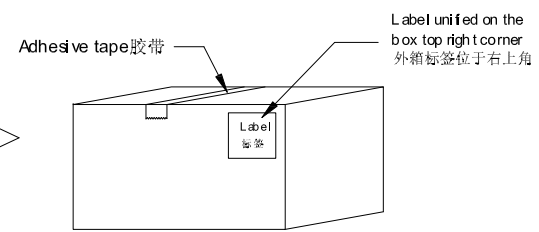
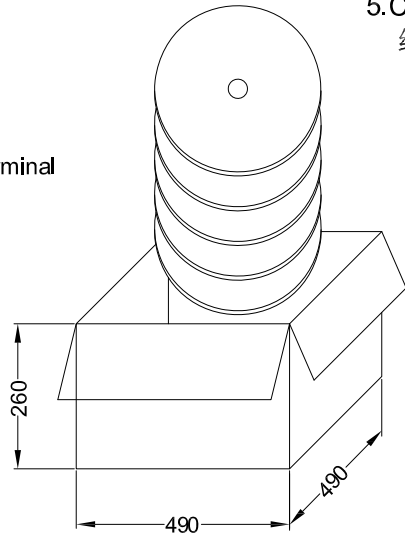


Note注解:

- Quantity数量:  
10K PCS/REEL 一卷10K/PCS  
7REEL/BOX 一箱7卷  
70K PCS/BOX 一箱70K/PCS
- Each reel and outer box must be labeled and Eco-Label Respectively labeled  
每盘和外箱都必须有标签及环保标签分别标示
- Terminal winding direction as shown  
端子缠绕方向如左图所示
- There shall be no dirt such as deformation phenomenon, Mantissa box fillers must be used  
每箱不可有脏污, 变形现象, 尾数箱必须用填充物
- Carton material: K=K, Carton thickness: 6~7mm  
纸箱材质:K=K, 纸箱厚度:6~7mm



Tape over the terminal  
纸带在端子下方



卷装方式  
Package way

GENERAL TOLERANCE	
.X	±0.35
.XX	±0.25
.XXX	±0.15
X°	±0.2°

**GYA** 东莞市国亚电子有限公司  
Connectors Dong Guan Guo Ya Connectors co., Ltd.

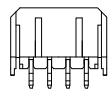
PART NO. A3001TM-PSN

TITLE: 3.00mm Terminal Packing

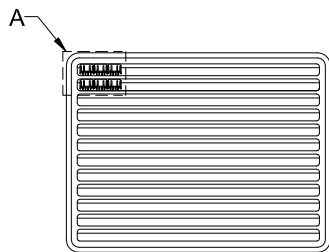
APPROVAL	CHECK	DRAWN	DATE
Yangzhengguo	Yangjiyini	Lvtiansheng	2014/1/2/02

UNIT	SCALE	SHEET	REV	NUMBER
mm	1:1	1/1	A0	A-000

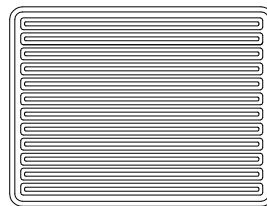
DATE	REV	ECN NO.	DESCRIPTION	MODIFY	APPROVAL
	1				



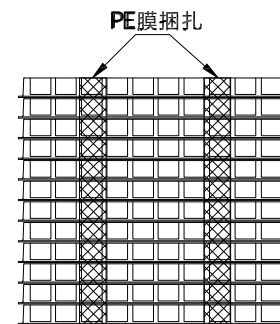
产品



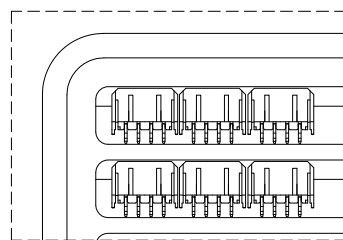
吸塑盘下盖



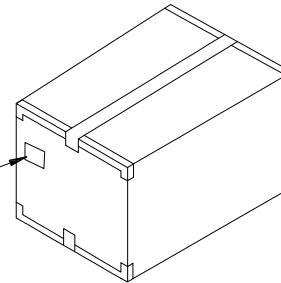
吸塑盘上盖



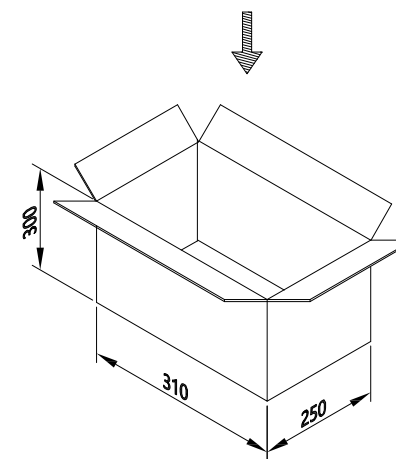
PE膜捆扎



局部放大图A  
比例 5:1



外箱标签



PIN位	PCS/盘	18盘/箱
02P	348	6264
03P	264	4752
04P	216	3888
05P	180	3240
06P	156	2808
07P	132	2376
08P	120	2160
09P	108	1944
10P	96	1728
11P	84	1512
12P	84	1512

包装说明：  
 步骤1:将检验好的良品方向一致并整齐摆放入吸塑盘内，  
 吸塑盘规格:300\*240\*15mm  
 步骤2:一盘一上盖层叠起来，方向需一致，18盘叠起来为1扎，然后用PE膜扎住。  
 步骤3:一纸箱放1扎,共18盘，然后用透明胶带封箱，贴上外箱标签。  
 纸箱规格: 310\*250\*300 mm  
 纸箱材质:K=K, 纸箱厚度:6~7mm  
 注: 不满箱时, 需以填充物填充, 不可有晃动

DATE	REV	ECN NO.	DESCRIPTION	MODIFY	APPROVAL

GENERAL TOLERANCE	
.X	±0.35
.XX	±0.25
.XXX	±0.15
X°	±2°



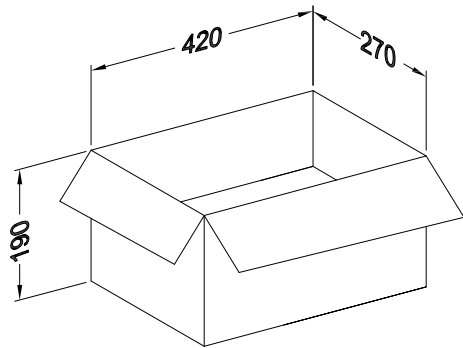
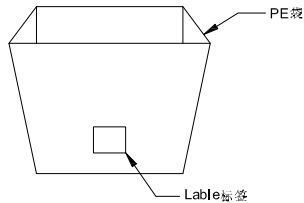
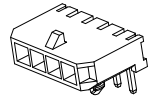
东莞市国亚电子有限公司  
Dong Guan Guo Ya Connectors co., Ltd.

APPROVAL	CHECK	DRAWN	DATE
Yangzhengguo	Yangjinyi	Lviliansheng	2020/03/07

PART NO. A3001WV-XXXX-XXXX-07				
TITLE: 3.00 mm Crimp Style Connector Packing				
UNIT	SCALE	SHEET	REV	NUMBER
mm	1:1	1/1	A0	A-007

RoHS

包装图

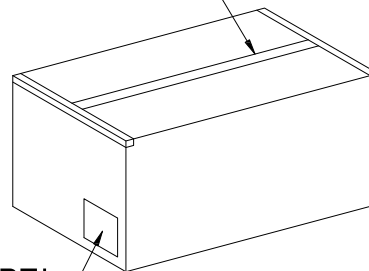


Note注解:

- Put Housing in a PE bag, Packing detail see the table below  
将 Housing放入PE袋内, 详细包装见下表
- Put PE bag packed products in specifications of 420 \* 270 \* 190 mm cartons, Packing detail see the table below  
将装好产品的PE袋放入规格为420\*270\*190mm的纸箱内, 详细包装见下表
- Label depends on customer request, carton opening joint with transparent tape  
标签依客户要求而定, 纸箱开口处用透明胶带贴合.
- Carton material 纸箱材质:K=K; Carton Thickness 纸箱厚度: 6~7mm



胶带 ADHESIVE TAPE



标签 LABEL

Poles	Bag PCS	CARTON Bag	CARTON PCS
02	1000	20	20K
03		20	20K
04		18	18K
05		15	15K
06		13	13K

GENERAL TOLERANCE

.X	±0.35
.XX	±0.25
.XXX	±0.15
X°	±0.2°



东莞市国亚电子有限公司  
Dong Guan Guo Ya Connectors co., Ltd.

APPROVAL	CHECK	DRAWN	DATE
Yangzhengguo	Yangjinyi	Lvtiansheng	2017/10/11

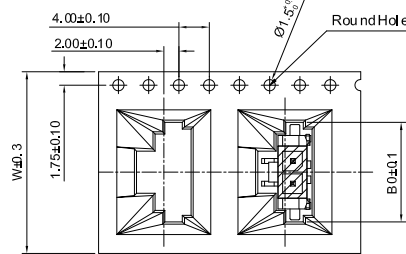
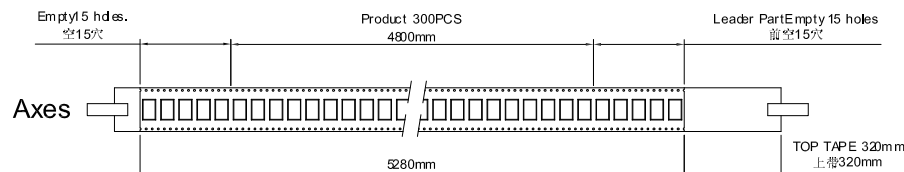
PART NO.  
A3001WR-XX-XXXX-07

TITLE:  
3.00mm Wafer Packing

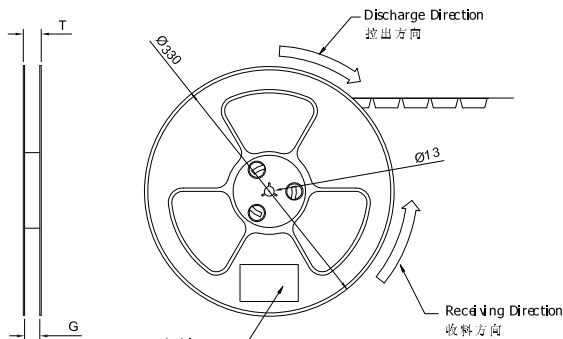
UNIT	SCALE	SHEET	REV	NUMBER
mm	1:1	1/1	A0	A-000

DATE	REV	ECN NO.	DESCRIPTION	MODIFY	APPROVAL
1					
2					
3					
4					

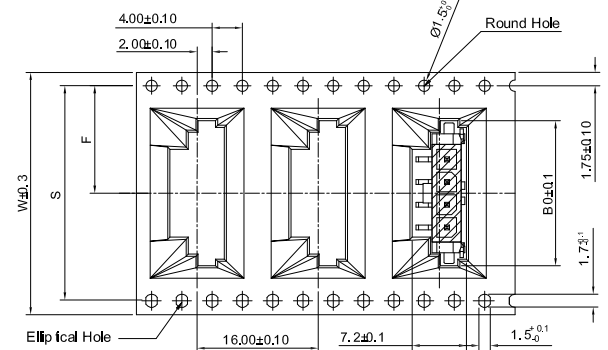
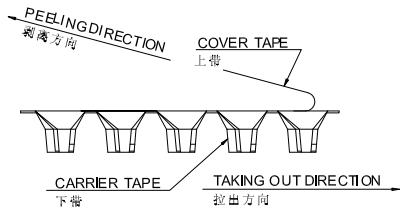
RoHS 包装图



WIDTH=24mm

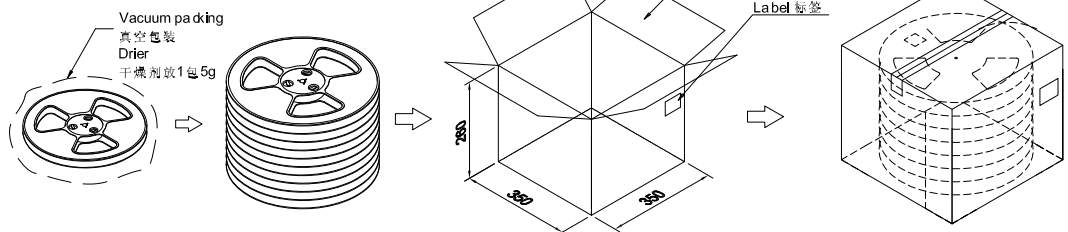


COVER TAPE PEEL STRENGTH: 20~120g  
 上带剥离力量: 20~120g  
 速度 PEEL SPEED: 3.00mm/minute



WIDTH=32mm~44mm

Single hole: None Hole Side  
 单孔: 贴无孔侧  
 Double hole: Elliptical Hole Side  
 双孔: 贴椭圆孔侧



Note:

- Carrier Camber Is Within 1mm In 100mm; 带长100mm 内容许弯曲度1mm
- 10 Sprocket Hole Pitch Cumulative Tolerance  $\pm 0.2$ MM; 圆孔十个孔距累积允许公差为  $\pm 0.2$ mm
- Carrier Tape Material for PS; 下带材质为PS材质; Color 颜色: Natural 透明色
- bracer 保护带; Color 颜色: Natural 透明色; 厚度 0.40mm 最小
- Thickness  $0.50 \pm 0.05$ ; 材料厚度为  $0.50 \pm 0.05$ mm
- Carton material 纸箱材质: K; Carton Thickness 纸箱厚度: 6~7mm

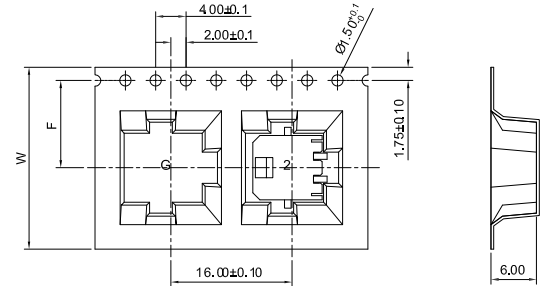
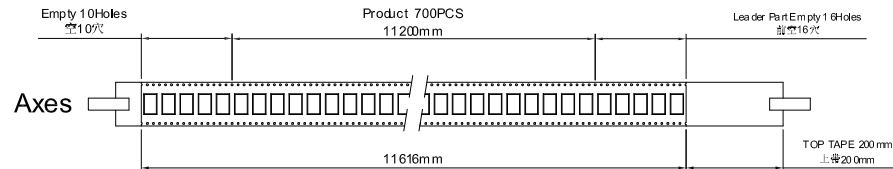
A3001WVS-XXD-LPS W	Pin No.	W	S	F	T	G	Cover Tape厚(上带LW)	Carrier Tape厚(下带LW)	B0	REEL PCS	CARTON /R	CARTON PCS
	A3001WVS-02DHF	24	--	11.5	28.5	24.5	21.3		13.15	300	8	2400
	A3001WVS-03DHF	32	28.4	14.20	36.5	32.5	25.5	透明色	16.15		6	1800
	A3001WVS-04DHF											
	A3001WVS-05DHF	44	40.4	20.20	48.5	44.5	37.5		19.15		5	1500

GENERAL TOLERANCE				<b>GYA</b> 东莞市国亚电子有限公司 Dong Guan Guo Ya Connectors co., Ltd.				PART NO. A3001WVS-XXD-LP XXXX					
.X	$\pm 0.35$	.XX	$\pm 0.25$					TITLE: 3.00mm Connectors 180° Packing					
.XXX	$\pm 0.15$	X°		$\pm 0.2$	APPROVAL	CHECK	DRAWN	DATE	UNIT	SCALE	SHEET	REV	NUMBER
DATE	REV	ECN NO.	DESCRIPTION	MODIFY	Yanqzhengguo	Yangjinyi	Lvtiansheng	2017/01/03	mm	1:1	1/1	A0	A-205

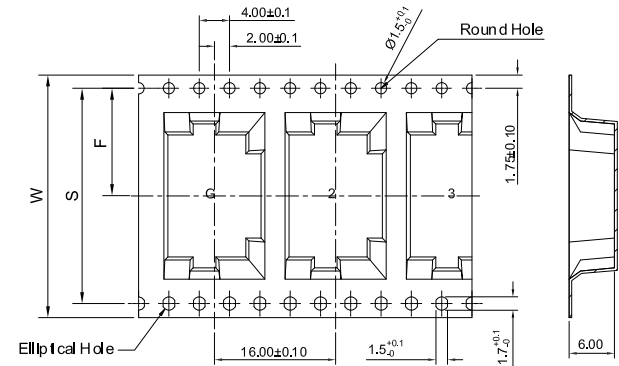




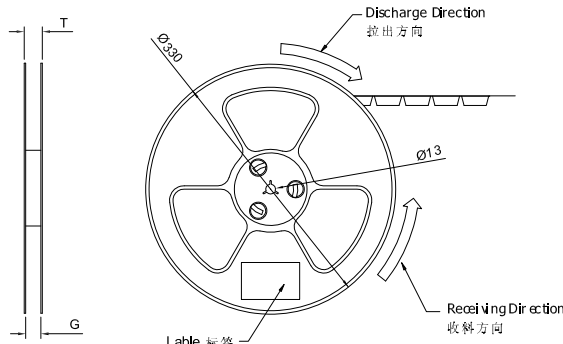
RoHS 包装图



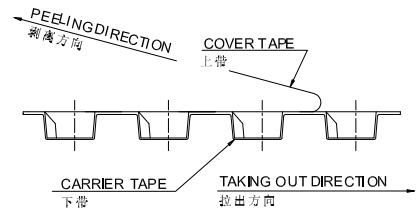
WIDTH=24mm



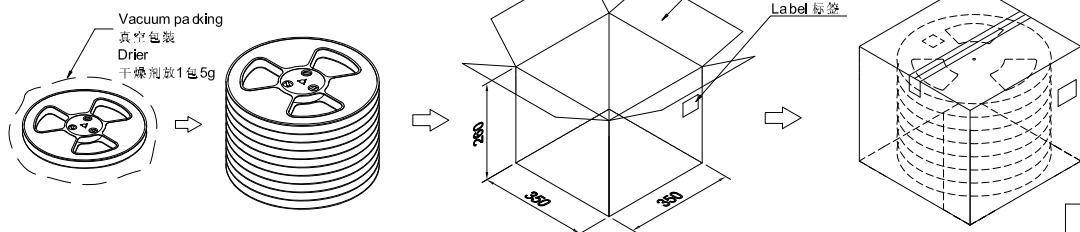
WIDTH=32mm~44mm



COVER TAPE PEEL STRENGTH: 20~120g  
上带剥离力量: 20~120g  
速度 PEEL SPEED: 3.00mm/min ulti



Single hole: None Hole Side  
单孔: 无孔侧  
Double hole: Elliptical Hole Side  
双孔: 椭圆孔侧



Note:

- Carrier Camber Is Within 1mm In 100mm ; 带长100mm内容许弯曲度1mm
- 10 Sprocket Hole Pitch Cumulative Tolerance±0.2MM ; 圆孔十个孔距离累计允许公差为±0.2mm
- Carrier tape material for PS ; 下带材质为PS材质; Color颜色: Natural透明色 ▲
- Thickness=0.40±0.05; 材料厚度为0.40±0.05mm
- Carton material 纸箱材质:K=K; Carton Thickness纸箱厚度: 6~7mm

Ph No.	W	S	F	T	G	Cover Tape (mm)	REEL PCS	CARTON	
								R	CARTON PCS
A3001WRS-02DHF	24	/	11.50	27.0	25.4	21.3	700	8	5600
A3001WRS-03DHF	32	28.4	14.20	35.0	33.4	25.5	700	6	4200
A3001WRS-04DHF									
A3001WRS-05DHF	44	40.4	20.20	48.5	44.4	37.5	700	5	3500
A3001WRS-06DHF									
A3001WRS-07DHF									
A3001WRS-08DHF									

DATE	REV	ECN NO.	DESCRIPTION	MODIFY	APPROVAL

GENERAL TOLERANCE	
.X	±0.35
.XX	±0.25
.XXX	±0.15
X°	±0.2°

**GYA** 东莞市国亚电子有限公司  
Connectors Dong Guan Guo Ya Connectors co., Ltd.

APPROVAL	CHECK	DRAWN	DATE
Yangzhengguo	Yangjinyi	Lvtiansheng	2017/11/28

PART NO. A3001WRS-XXD-LPXXX

TITLE: 3.00mm Connectors 90° Packing

UNIT	SCALE	SHEET	REV	NUMBER
mm	1:1	1/1	A0	A-205