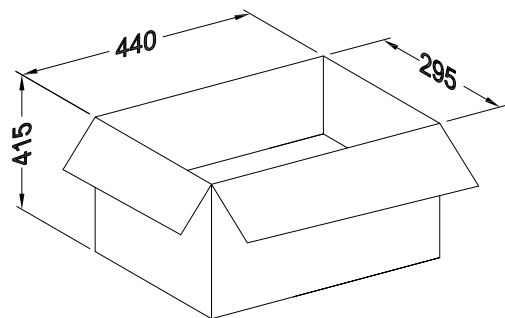
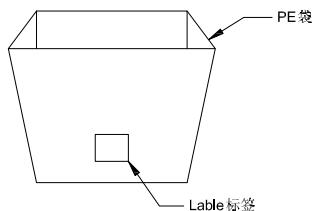
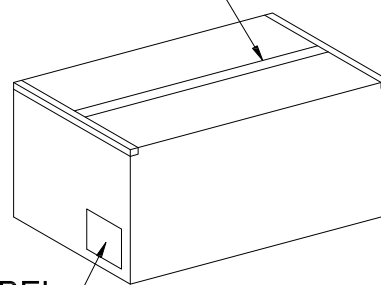


RoHS 包装图



胶带ADHESIVE TAPE



Note注解:

1. Put Housing in a PE bag, PE bag gauge for: 130 * 135 * 0.10 mm, Packing detail see the table below

将 Housing放入PE袋内, PE袋规为:130*135*0.10mm, 详细包装见下表

2. Put PE bag packed products in specifications of 330 * 250 * 300 mm cartons, Packing detail see the table below

将装好产品的PE袋放入规格为330*250*200mm的纸箱内, 详细包装见下表

3. Label depends on customer request, carton opening joint with transparent tape

标签依客户要求而定, 纸箱开口处用透明胶带贴合.

4. Carton material: K=K, Carton thickness: 6~7mm

纸箱材质:K=K, 纸箱厚度:6~7mm



Pin位	袋/PCS	箱/袋	箱/PCS
2*02			
2*03	1000	50	50K
2*04			
2*05			
2*06			
2*07	1000	35	35K
2*08			
2*09			
2*10			
2*11			
2*12			
2*13	1000	20	20K
2*14			
2*15			
2*16			
2*17			
2*18	1000	14	14K
2*19			
2*20			
2*21			
2*22			

GENERAL TOLERANCE

.X	±0.35
.XX	±0.25
.XXX	±0.15
X.°	±0.2°

GYA 东莞市国亚电子有限公司
Connectors Dong Guan Guo Ya Connectors co., Ltd.

APPROVAL	CHECK	DRAWN	DATE
Yangzhengguo	Yangjingyi	Lvtiansheng	2016/08/26

PART NO. A2006H-2*XX-N0XX

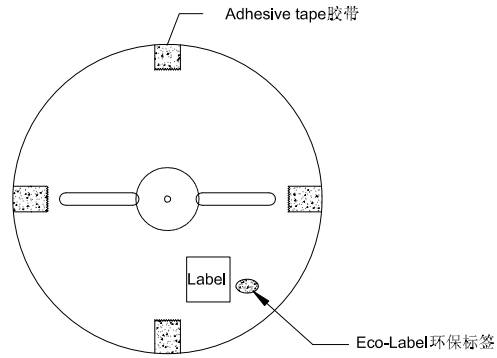
TITLE: 2.00mm Housing Packing

UNIT	SCALE	SHEET	REV	NUMBER
mm	1:1	1/1	A0	A-022

DATE	REV	ECN NO.	DESCRIPTION	MODIFY	APPROVAL

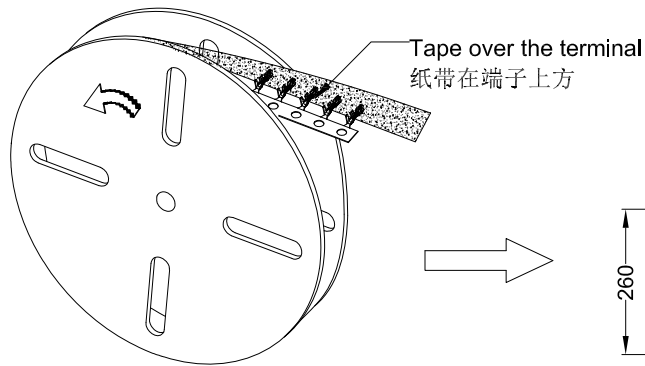
RoHS

包装图

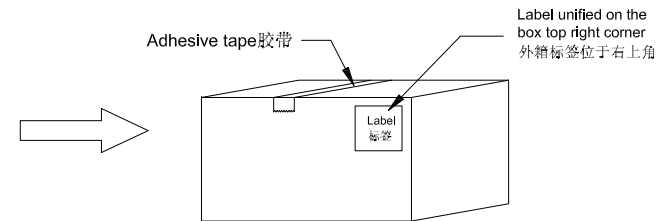
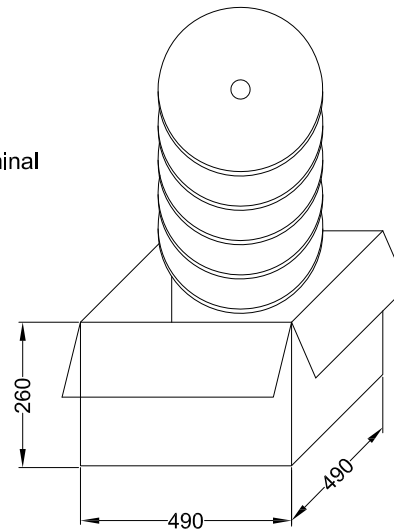


Note 注解:

- Quantity 数量:
10K PCS/REEL 一卷10K/PCS
10 REEL/BOX 一箱10卷
100K PCS/BOX 一箱100K/PCS
- Each reel and outer box must be labeled and Eco-Label Respectively labeled
每盘和外箱都必须有标签及环保标签分别标示
- Terminal winding direction as shown
端子缠绕方向如左图所示
- There shall be no dirt such as deformation phenomenon, Mantissa box fillers must be used
每箱不可有脏污, 变形现象, 尾数箱必须用填充物
- Carton material 纸箱材质:K=K;
Carton Thickness 纸箱厚度: 6~7mm



卷装方式
Package way



GENERAL TOLERANCE	
.X	±0.35
.XX	±0.25
.XXX	±0.15
X°	±0.2°

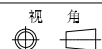


东莞市国亚电子有限公司
Dong Guan Guo Ya Connectors co., Ltd.

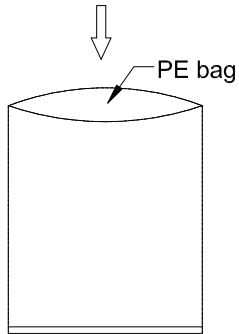
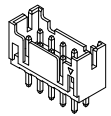
APPROVAL	CHECK	DRAWN	DATE
Yangzhengguo	Yangjingyi	Lvtiansheng	2016/08/26

PART NO. A2006TX-PXX-X				
TITLE: 2.00mm Terminal Packing				
UNIT	SCALE	SHEET	REV	NUMBER
mm	1:1	1/1	A0	A-000

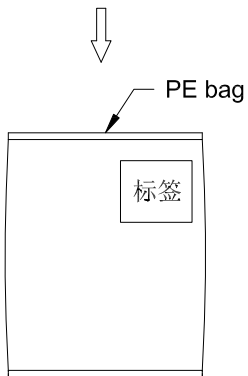
DATE	REV	ECN NO.	DESCRIPTION	MODIFY	APPROVAL



RoHS 包装图



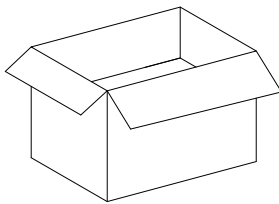
示图一



示图三:
1KPCS/袋

袋装标签

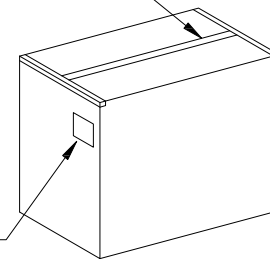
示图二: LABEL 1
(最小包装标签)



示图四: 整齐装箱

ADHESIVE TAPE
胶带

LABEL 2
(外箱标签)



示图五: 封箱、贴标签及麦头等

包装说明:

- 1、将全检合格之产品，称重包装每袋1000PCS，注意不可少数，并加放1包干燥剂；
- 2、将称重好的每袋产品封口、贴标签，注意标签字体清晰、数量须准确；
- 3、将袋装产品整齐排列装入对应的纸箱，不可漏贴标签；
- 4、检查每箱包装数量是否准确，封箱并贴外箱标签，注意标签上数量须与实际包装相符；
- 5、尾数箱之包装，空隙处用填充物塞满，标签上数量与实际包装数量一致；
- 6、快递送货之包装：将上述包装好之每箱产品依据实际箱数选择适合的大纸箱，将每箱整齐装入，空隙处用填充物塞满并封箱。

纸箱规格:

2*06PIN及以下 (300*225*200)

2*07PIN及以上 (420*270*190)

纸箱材质: K=K 厚度6~7mm



Poles	袋/pcs	箱/袋	箱/pcs
2*02	1000	14	14000
2*03	1000	12	12000
2*04	1000	12	12000
2*05	1000	10	10000
2*06	1000	10	10000
2*07	1000	14	14000
2*08	1000	14	14000
2*09	1000	14	14000
2*10	1000	12	12000
2*11	1000	12	12000
2*12	1000	12	12000
2*13	1000	10	10000
2*14	1000	10	10000
2*15	1000	10	10000
2*16	1000	8	8000
2*17	1000	8	8000
2*18	1000	8	8000
2*19	1000	6	6000
2*20	1000	6	6000

GENERAL TOLERANCE

.X ±0.35

.XX ±0.25

.XXX ±0.15

X° ±0.2°

视图

⊕



东莞市国亚电子有限公司
Dong Guan Guo Ya Connectors co., Ltd.

PART NO.

A2006WV-2*XX-XXXX

TITLE:

2.00mm WAFER Packing

APPROVAL

Yangzhengguo

CHECK

Yangjingyi

DRAWN

Lvtiansheng

DATE

2016/08/26

UNIT

mm

SCALE

1:1

SHEET

1/1

REV

A0

NUMBER

A-053

DATE	REV	ECN NO.	DESCRIPTION	MODIFY	APPROVAL

Note注解:

1. Put Housing in a PE bag, PE bag gauge for: 240 * 245 *0.75 mm, Packing detail see the table below

将 Housing放入PE袋内, PE袋规为:240 * 245 *0.75mm, 详细包装见下表

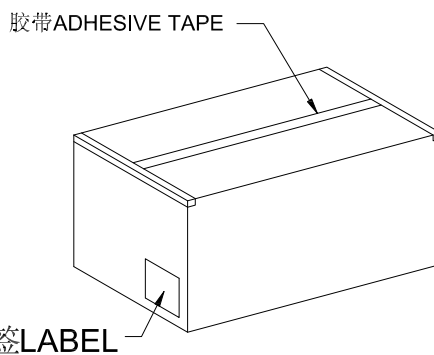
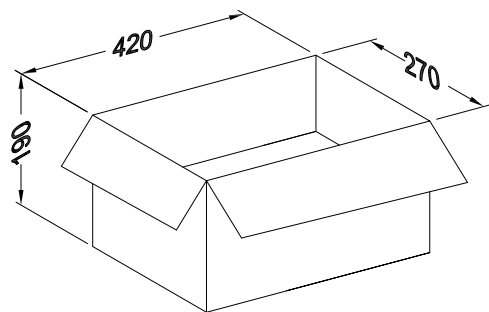
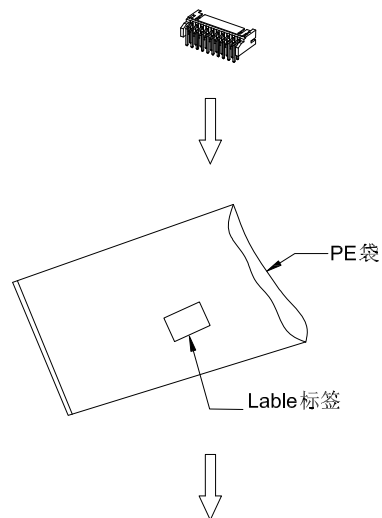
2. Put PE bag packed products in specifications of 420 * 270 * 190 mm cartons, Packing detail see the table below

将装好产品的PE袋放入规格为420*270*190mm的纸箱内, 详细包装见下表

3. Label depends on customer request, carton opening joint with transparent tape

标签依客户要求而定, 纸箱开口处用透明胶带贴合.

4. Carton material 纸箱材质:K=K; Carton Thickness 纸箱厚度: 6~7mm



Poles	Bag PCS	CARTON Bag	CARTON PCS
2*02	1000	12	12K
2*03			
2*04			
2*05			
2*06	500	12	6K
2*07			
2*08			
2*09			
2*10	300	12	3.6K
2*11			
2*12			
2*13			
2*14	200	15	3.0K
2*15			
2*16			
2*17			
2*18		14	2.8K
2*19			
2*20			
2*21			
2*22			

DATE	REV	ECN NO.	DESCRIPTION	MODIFY	APPROVAL	GENERAL TOLERANCE	PART NO. A2006WR-2*XX-XXXX								
						.X ±0.35	TITLE: 2.00mm Wafer Packing								
						.XX ±0.25	APPROVAL	CHECK	DRAWN	DATE	UNIT	SCALE	SHEET	REV	NUMBER
						.XXX ±0.15					mm	1:1	1/1	A0	A-053
						X° ±0.2°	Yangzhengguo	Yangjingyi	Lvtiansheng	2016/08/26					

GYA 东莞市国亚电子有限公司
Connectors Dong Guan Guo Ya Connectors co., Ltd.

