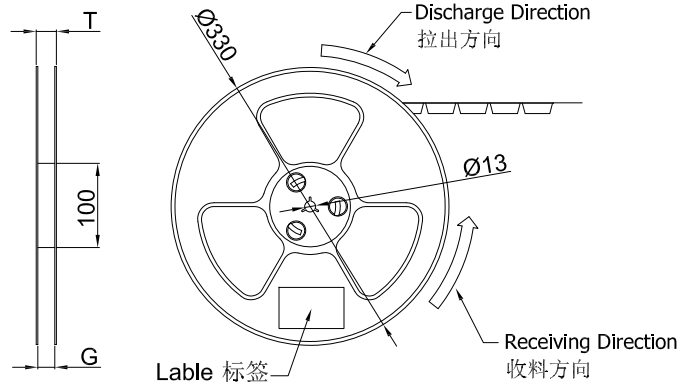
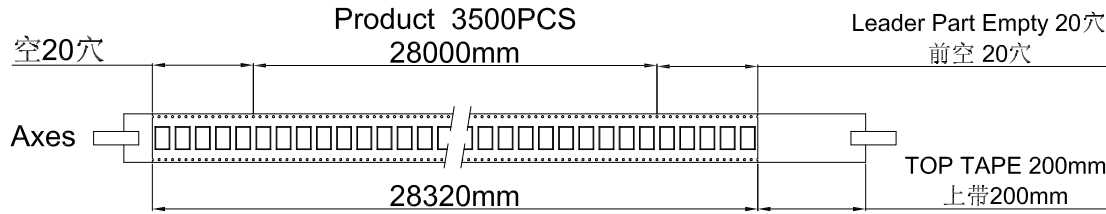
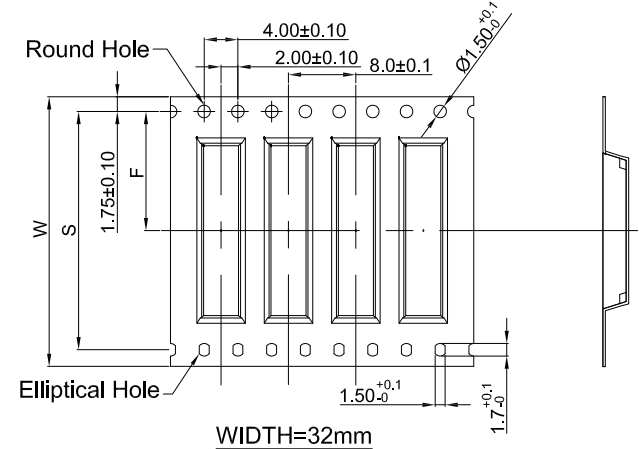
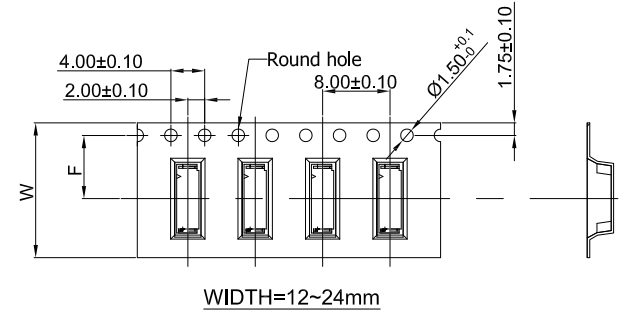
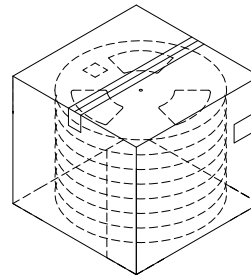
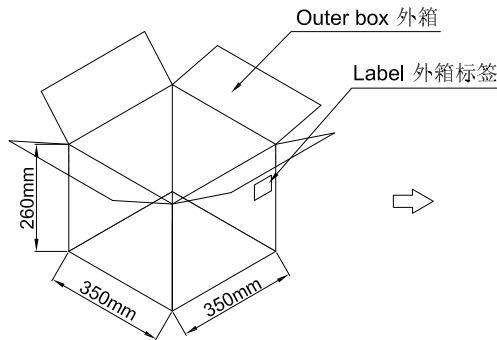
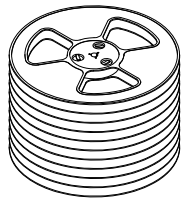
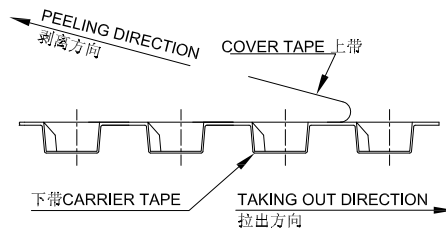


RoHS



Lable 标签
 Single hole: None Hole Side
 单孔: 贴无链孔侧
 Double hole: Elliptical Hole Side
 双孔: 贴椭圆孔侧

COVER TAPE PEEL STRENGTH:20~120g
 上带剥离力量:20~120g
 速度 PEEL SPEED:300mm/minute



Part No.	WS	F	T (MAX)	G(MAX)	REEL /PCS	CARTON /IR	CARTON /PCS
A0801WRS-02	12	/	5,50	16,50	12,40	13R	45,5K
A0801WRS-03							
A0801WRS-04							
A0801WRS-05							
A0801WRS-06	16	/	7,50	20,50	16,40	11R	38,5K
A0801WRS-07							
A0801WRS-08							
A0801WRS-09							
A0801WRS-10							
A0801WRS-11							
A0801WRS-12	24	/	11,50	28,50	24,40	8R	28K
A0801WRS-13							
A0801WRS-14							
A0801WRS-15							
A0801WRS-16							
A0801WRS-17	32	28,4	14,20	36,50	32,40	6R	21K
A0801WRS-18							
A0801WRS-19							
A0801WRS-20							

Note:

- Carrier Camber Is Within 1mm In 100mm ; 带长100mm 内容许弯曲度1mm
- 10 Sprocket Hole Pitch Cumulative Tolerance±0.2MM ; 圆孔十个孔距离累计允许公差为±0.2mm
- Carrier tape material for PS ; 下带材质为PS材质; Color颜色:Natural透明色
- bracer保护带; Color颜色:Natural透明色,厚度0.40mm最小
- Thickness=0.30±0.05 ; 材料厚度为0.30±0.05mm
- Carton material纸箱材质:K=K; Carton Thickness纸箱厚度: 6±1mm

GENERAL TOLERANCE
 .X ±0.30
 .XX ±0.20
 .XXX ±0.10

GYA 东莞市国亚电子有限公司
 Connectors Dong Guan Guo Ya Connectors co., Ltd.

PART NO. PPN: A0801WRS-XX-XXXX

TITLE
 0.80mm Connectors SMT 90° Package

DATE	OLD REV	NEW REV	ECN	DESCRIPTION	CHECK	APPROVAL

APPROVAL	CHECK	DRAWN	DATA
Yangzhengguo	Yangzhengyi	Lvtiansheng	2016/08/26

UNIT	SCALE	NUMBER	REV
mm	1 : 1	A-106	A0