

RoHS

主要技术参数  
Main Specifications

线数 (poles): 2 to 16P  
 额定电流 (Current rating): 2.0A AC, DC  
 额定电压 (Voltage rating): 250V AC, DC  
 温度范围 (Temperature range): -25°C to +85°C  
 接触电阻 (Contact resistance): ≤20mΩ  
 绝缘电阻 (Insulation resistance): ≥1000MΩ  
 耐电压 (Withstand voltage): 500V AC/minute  
 适用线规 (Applicable wire): AWG #28 to #24

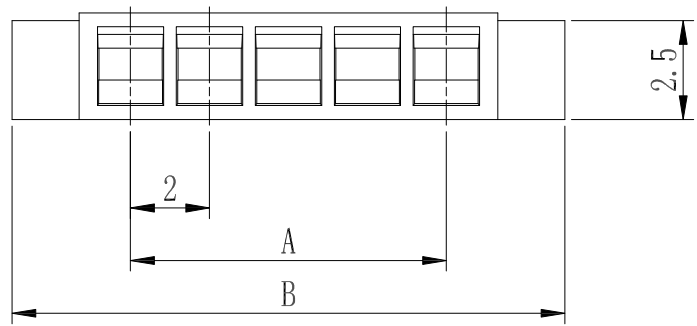
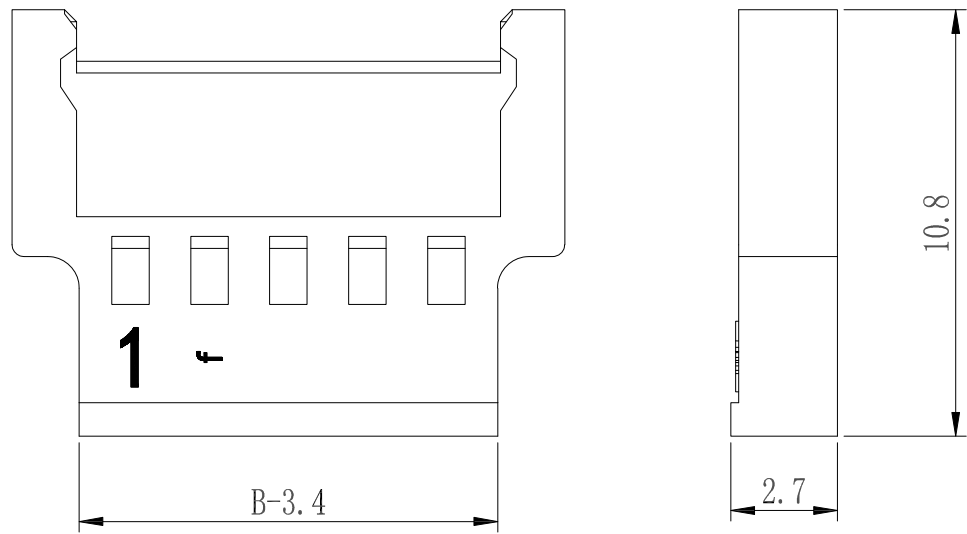
Poles	Part No.	Dimensions mm	
		A	B
2	A2011HM-02	2.00	8.0
3	A2011HM-03	4.00	10.0
4	A2011HM-04	6.00	12.0
5	A2011HM-05	8.00	14.0
6	A2011HM-06	10.00	16.0
7	A2011HM-07	12.00	18.0
8	A2011HM-08	14.00	20.0
9	A2011HM-09	16.00	22.0
10	A2011HM-10	18.00	24.0
11	A2011HM-11	20.00	26.0
12	A2011HM-12	22.00	28.0
13	A2011HM-13	24.00	30.0
14	A2011HM-14	26.00	32.0
15	A2011HM-15	28.00	34.0
16	A2011HM-16	30.00	36.0



1		Housing 胶壳	PA66 (UL94V-0/V-2)	1	White (白色)
序号	图号	名称	材料	数量	附注

F  
E  
D  
C  
B  
A

F  
E  
D  
C  
B  
A



DATE	REV	ECN NO.	DESCRIPTION	MODIFY	APPROVAL
1		2	3	4	5

GENERAL TOLERANCE  
 .X ±0.30  
 .XX ±0.20  
 .XXX ±0.10  
 X.° ±2°

**GYA** Connectors  
 东莞市国亚电子有限公司  
 Dong Guan Guo Ya Connectors co., Ltd.

PROJECT: Yangzhengguo  
 APPROVAL: Yangjinyi  
 CHECK: Lvtiansheng  
 DRAWN: Lvtiansheng  
 DATE: 2016/08/26

PART NO. A2011HM-XXX

TITLE: 2.00mm Crimp Style Connectors

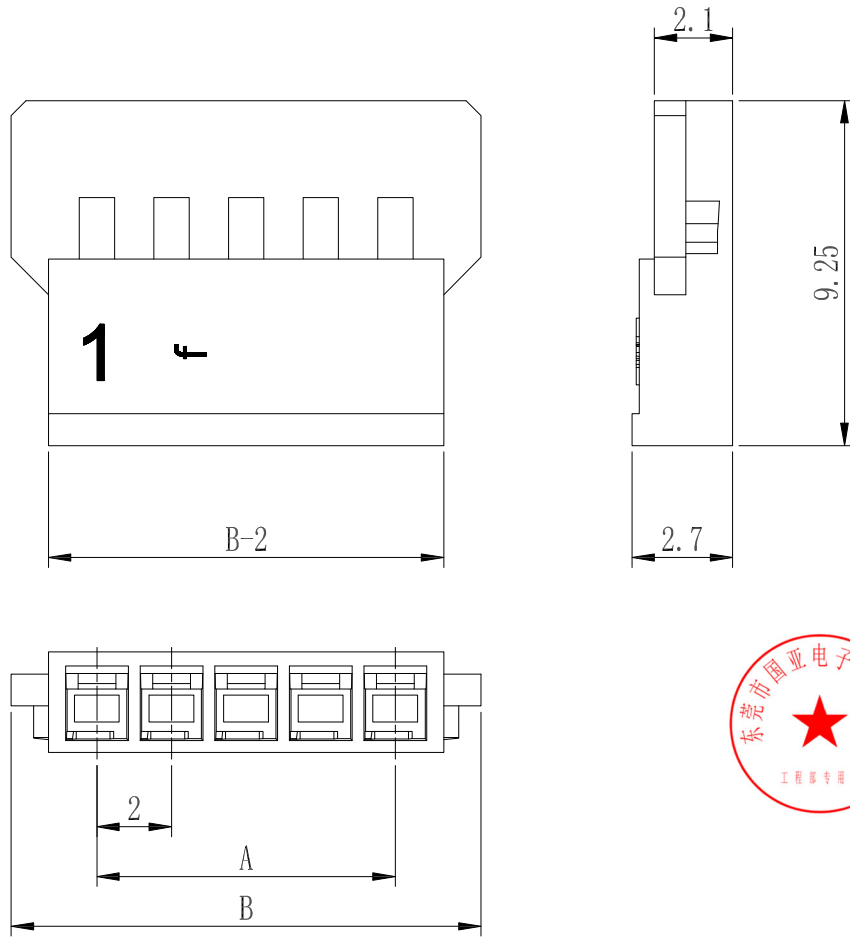
UNIT	SCALE	SHEET	REV	NUMBER
mm	1:1	1/1	A0	A-022

1 2 3 4 5 6 7 8

RoHS

主要技术参数  
Main Specifications

线数 (poles): 2 to 16P  
 额定电流 (Current rating): 2.0A AC, DC  
 额定电压 (Voltage rating): 250V AC, DC  
 温度范围 (Temperature range): -25°C to +85°C  
 接触电阻 (Contact resistance): ≤20mΩ  
 绝缘电阻 (Insulation resistance): ≥1000MΩ  
 耐电压 (Withstand voltage): 500V AC/minute  
 适用线规 (Applicable wire): AWG #28 to #24



Poles	Part No.	Dimensions mm	
		A	B
2	A2011H-02	2.00	6.6
3	A2011H-03	4.00	8.6
4	A2011H-04	6.00	10.6
5	A2011H-05	8.00	12.6
6	A2011H-06	10.00	14.6
7	A2011H-07	12.00	16.6
8	A2011H-08	14.00	18.6
9	A2011H-09	16.00	20.6
10	A2011H-10	18.00	22.6
11	A2011H-11	20.00	24.6
12	A2011H-12	22.00	26.6
13	A2011H-13	24.00	28.6
14	A2011H-14	26.00	30.6
15	A2011H-15	28.00	32.6
16	A2011H-16	30.00	34.6

1		Housing 胶壳	PA66 (UL94V-0/V-2)	1	White (白色)
序号	图号	名称	材料	数量	附注

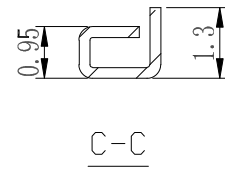
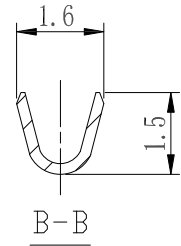
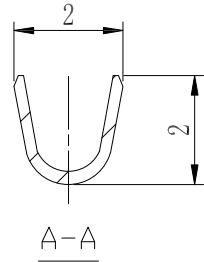
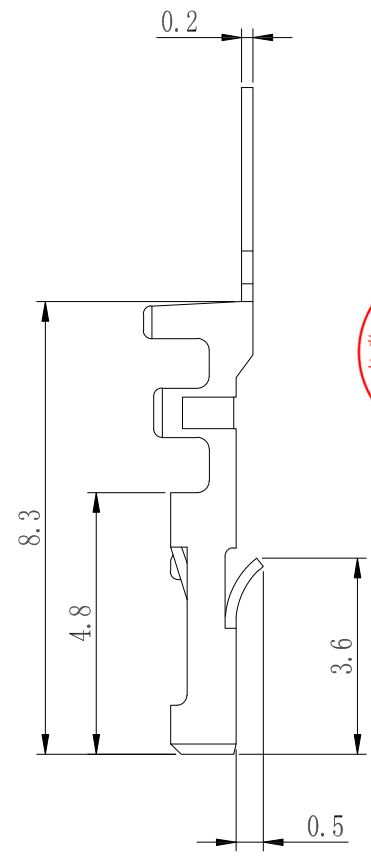
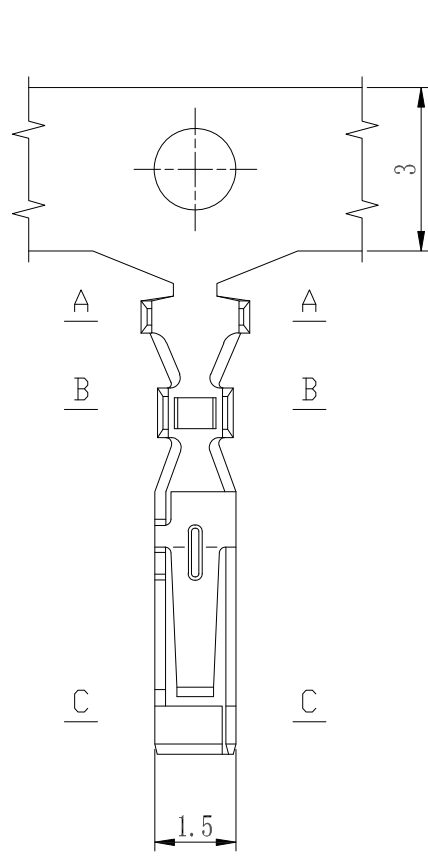
DATE	REV	ECN NO.	DESCRIPTION	MODIFY	APPROVAL	PROJECT	APPROVAL	CHECK	DRAWN	DATE	UNIT	SCALE	SHEET	REV	NUMBER
1						Yangzhengguo	Yangjinyi	Lviansheng		2016/08/26	mm	1:1	1/1	A0	A-022

GENERAL TOLERANCE
.X ±0.30
.XX ±0.20
.XXX ±0.10
X.° ±2°
PROJECT

**GYA** 东莞市国亚电子有限公司  
Connectors Dong Guan Guo Ya Connectors co., Ltd.

PART NO. A2011H-XXX  
TITLE 2.00mm Crimp Style Connectors

RoHS



主要技术参数  
Main Specifications

线数 (poles): 2 to 16P  
 额定电流 (Current rating): 2.0A AC, DC  
 额定电压 (Voltage rating): 250V AC, DC  
 温度范围 (Temperature range): -25°C to +85°C  
 接触电阻 (Contact resistance):  $\leq 20m\Omega$   
 绝缘电阻 (Insulation resistance):  $\geq 1000M\Omega$   
 耐电压 (Withstand voltage): 500V AC/minute  
 适用线规 (Applicable wire): AWG #28 to #24

1	A2011T-02	Phos Bronze tin 磷青铜镀锡	13000PCS/RoII(1盘)
序号	料号	材料	附注

GENERAL TOLERANCE	
.X	$\pm 0.30$
.XX	$\pm 0.20$
.XXX	$\pm 0.10$
X. <sup>o</sup>	$\pm 2^{\circ}$
PROJECT	

**GYA** 东莞市国亚电子有限公司  
Connectors Dong Guan Guo Ya Connectors co., Ltd.

APPROVAL	CHECK	DRAWN	DATE
Yangzhengguo	Yangjinyi	Lvtiansheng	2016/08/26

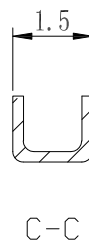
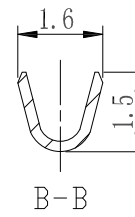
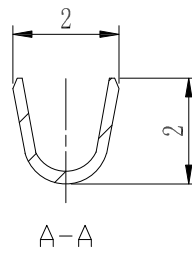
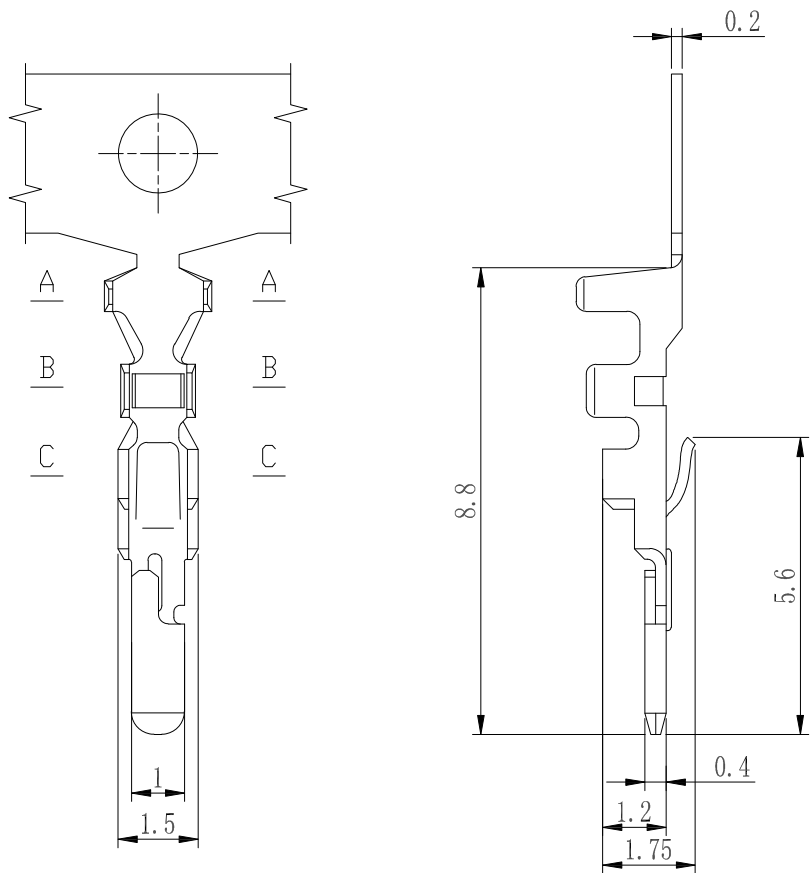
PART NO. A2011T-XXX				
TITLE 2.00mm Crimp Style Connectors				
UNIT	SCALE	SHEET	REV	NUMBER
mm	1:1	1/1	A0	A-022

DATE	REV	ECN NO.	DESCRIPTION	MODIFY	APPROVAL
1		2	3	4	5

RoHS

F  
E  
D  
C  
B  
A

F  
E  
D  
C  
B  
A



主要技术参数  
Main Specifications

- 线数 (poles): 2 to 16P
- 额定电流 (Current rating): 2.0A AC, DC
- 额定电压 (Voltage rating): 250V AC, DC
- 温度范围 (Temperature range): -25°C to +85°C
- 接触电阻 (Contact resistance):  $\leq 20m\Omega$
- 绝缘电阻 (Insulation resistance):  $\geq 1000M\Omega$
- 耐电压 (Withstand voltage): 500V AC/minute
- 适用线规 (Applicable wire): AWG #28 to #24



1	A2011TM-02	Phos Bronze tin 磷青铜镀锡	13000PCS/RoII (1盘)
序号	料号	材料	附注

GENERAL TOLERANCE	
.X	$\pm 0.30$
.XX	$\pm 0.20$
.XXX	$\pm 0.10$
X.°	$\pm 2^\circ$



东莞市国亚电子有限公司  
Dong Guan Guo Ya Connectors co., Ltd.

APPROVAL	CHECK	DRAWN	DATE
Yangzhengguo	Yangjinyi	Lviansheng	2016/08/26

PART NO. A2011TM-XXX				
TITLE 2.00mm Crimp Style Connectors				
UNIT	SCALE	SHEET	REV	NUMBER
mm	1:1	1/1	A0	A-022

DATE	REV	ECN NO.	DESCRIPTION	MODIFY	APPROVAL
1					
2					
3					
4					

1 | 2 | 3 | 4 | 5 | 6 | 7 | 8