

RoHS

包装图



Note注解:

1. Put Housing in a PE bag, PE bag gauge for: 130 * 135 * 0.10 mm, Packing detail see the table below

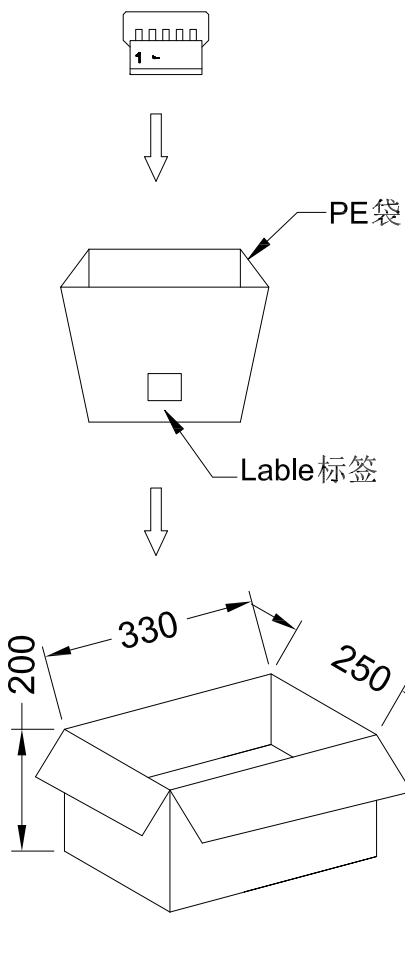
将 Housing放入PE袋内, PE袋规为:130*135*0.10mm,详细包装见下表

2. Put PE bag packed products in specifications of 330 * 250 * 300 mm cartons, Packing detail see the table below

将装好产品的PE袋放入规格为330*250*200mm的纸箱内, 详细包装见下表

3. Label depends on customer request, carton opening joint with transparent tape

标签依客户要求而定, 纸箱开口处用透明胶带贴合.



Poles	Bag PCS	CARTON Bag	CARTON PCS	Poles	Bag PCS	CARTON Bag	CARTON PCS
02	1000	75	75K	09	1000	75	75K
03	1000	75	75K	10	1000	75	75K
04	1000	75	75K	11	1000	75	75K
05	1000	75	75K	12	1000	75	75K
06	1000	75	75K	13	1000	75	75K
07	1000	75	75K	14	1000	75	75K
08	1000	75	75K	15	1000	75	75K

GENERAL TOLERANCE

.X	±0.30
.XX	±0.20
.XXX	±0.10
X°	±0.2°



东莞市国亚电子有限公司
Dong Guan Guo Ya Connectors co., Ltd.

PART NO.

A2011H-XXX

TITLE:

2.00mm Housing Package

APPROVAL CHECK DRAWN DATE

Yangzhengguo Yangjinyi Lvtiansheng 2016/08/26

UNIT	SCALE	SHEET	REV	NUMBER
mm	1:1	1/1	A0	A-106

DATE	REV	ECN NO.	DESCRIPTION	MODIFY	APPROVAL
1					
2					
3					
4					



RoHS

包装图

Note 注解:

1.Quantity 数量:

13K PCS/REEL 一卷13K/PCS

10 REEL/BOX 一箱10卷

130K PCS/BOX 一箱130K/PCS

2.Each reel and outer box must be labeled and Eco-Label Respectively labeled

每盘和外箱都必须有标签及环保标签分别标示

3.Terminal winding direction as shown

端子缠绕方向如左图所示

4.There shall be no dirt such as deformation phenomenon, Mantissa box fillers must be used

每箱不可有脏污, 变形现象, 尾数箱必须用填充物

5.Carton material: K=K, Carton thickness: 6~7mm

纸箱材质:K=K, 纸箱厚度:6~7mm

F

F

E

E

D

D

C

C

B

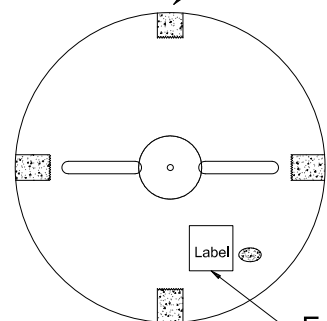
B

A

A

1 2 3 4 5 6 7 8

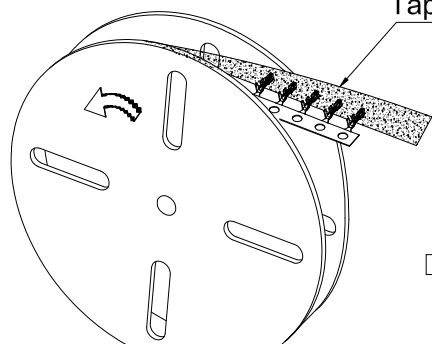
Adhesive tape 胶带



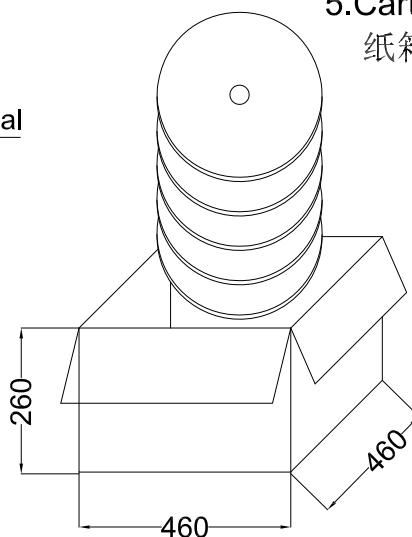
Eco-Label
环保标签



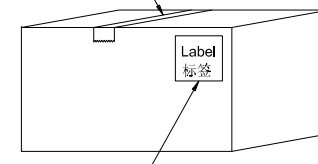
Tape over the terminal
纸带在端子 上方



卷装方式
Package way



Adhesive tape 胶带



Label unified on the box top right corner
外箱标签位于 于右上角

DATE	REV	ECN NO.	DESCRIPTION	MODIFY	APPROVAL
1					
2					
3					
4					
5					

GENERAL TOLERANCE	
.X	±0.30
.XX	±0.20
.XXX	±0.10
X°	±0.2°
视图	

东莞市国亚电子有限公司 Dong Guan Guo Ya Connectors co., Ltd.				PART NO. A2011T-XXX	
APPROVAL				TITLE: 2.00mm Terminal Packing	
Yangzhengguo	Yangjinyi	Lvtiansheng	2016/08/26	UNIT	SCALE
				mm	1:1
				SHEET	REV
				1/1	A0
				NUMBER	NUMBER
					A-000

1 2 3 4 5 6 7 8