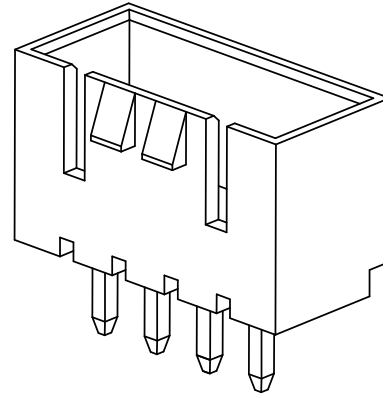
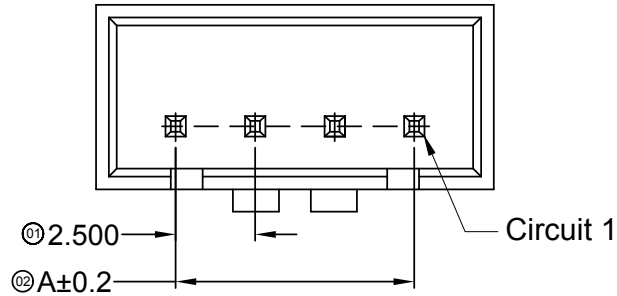


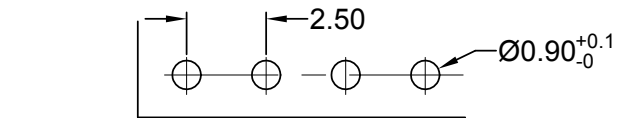
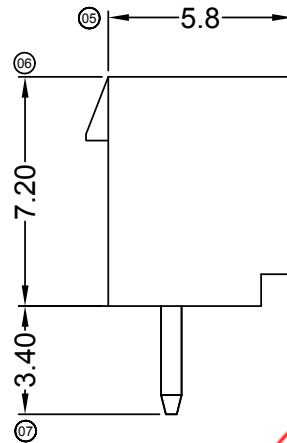
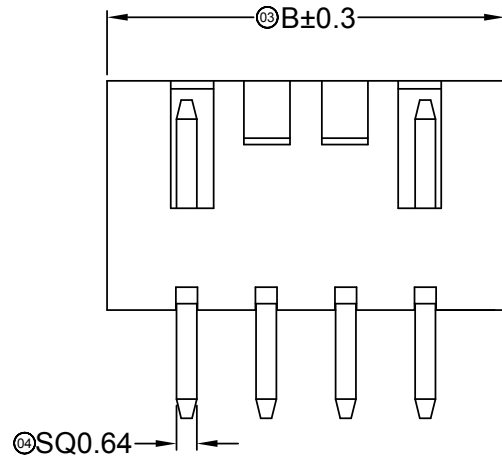
RoHS



- Specifications :
- Voltage rating: 250V AC / DC
  - Current rating: 3A AC / DC
  - Withstanding voltage: 1000V AC/minute
  - Temperature range: -25°C~+85°C
  - Insulation resistance: ≥500MΩ
  - Contact resistance: ≤20mΩ
  - After environmental testing: ≤30mΩ
  - Material(Pin):Brass
  - Mates With GYA Housing:8821H-L

8821 W V X-XX L -N0 SN XX  
 ① ② ③ ④ ⑤ ⑥ ⑦ ⑧ ⑨

- ① Series No.
- ② Category: W-WAFER
- ③ Welding Board Angle: V-180°
- ④ Welding Way: Blank-DIP
- ⑤ Row No.-Pin No.: XX-Single Row
- ⑥ Special No.: L-With Lock
- ⑦ Material: N0 -PA66 94V-0
- ⑧ Plating Category: SN-Bright Tin Plating
- ⑨ Color : Blank-Natural Color



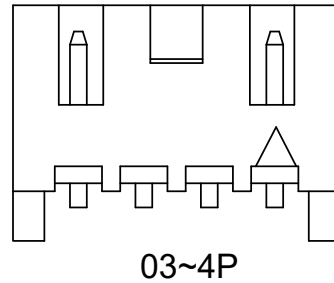
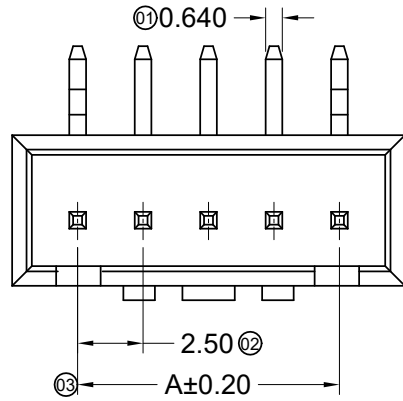
Recommended P.C.B Layout  
 General Tolerance±0.05



Poles	Dimensions(mm)		Poles	Dimensions(mm)	
	A	B		A	B
02	2.50	7.50	12	27.50	32.50
03	5.00	10.00	13	30.00	35.00
04	7.50	12.50	14	32.50	37.50
05	10.00	15.00	15	35.00	40.00
06	12.50	17.50	16	37.50	42.50
07	15.00	20.00	17	40.00	45.00
08	17.50	22.50	18	42.50	47.50
09	20.00	25.00	19	45.00	50.00
10	22.50	27.50	20	47.50	52.50
11	25.00	30.00			

					GENERAL TOLERANCE		东莞市国亚电子有限公司 DONGGUO GUOYA ELECTRONICS CO.,LTD				PART NO. 8821WR-XXL-N0SN				
					.X ±0.30						APPROVAL				TITLE 2.50 mm Crimp style Connector
					.XX ±0.20		CHECK				UNIT				
					.XXX ±0.10		DRAWN				SCALE				
					X.° ±2°		DATE				SHEET				
					PROJECT		YANG				REV				
DATE					REV		ZHONG				NUMBER				
ECN NO					DESCRIPTION		TIAN				A0				
MODIFY					APPROVAL		2019/07/10				A-010				

RoHS

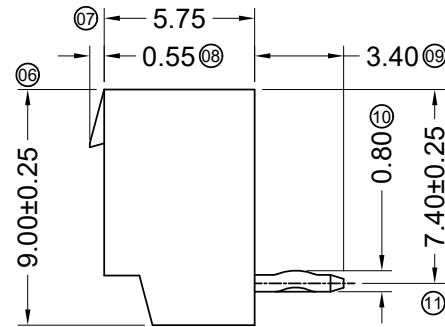
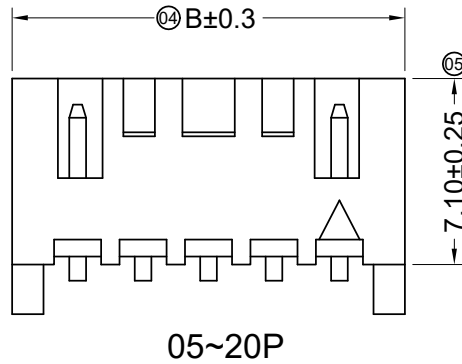


■ Specifications :

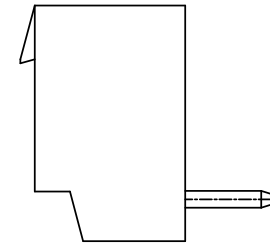
- Voltage rating: 250V AC / DC
- Current rating: 3A AC / DC
- Withstanding voltage: 1000V AC/minute
- Temperature range: -25°C~+85°C
- Insulation resistance: ≥500MΩ
- Contact resistance: ≤20mΩ
- After environmental testing: ≤30mΩ
- Material(Pin):Brass
- Mates With GYA Housing:8821H-L

8821 W R X-XX KL -N0 SN XX  
 ① ② ③ ④ ⑤ ⑥ ⑦ ⑧ ⑨

- ① Series No.
- ② Category: W-WAFER
- ③ Connector Type: R-90°
- ④ Mounting Type: Blank-DIP
- ⑤ Row No.-Pin No.: XX-Single Row
- ⑥ Special No.: L-With Lock;  
KL-With Kink,With Lock
- ⑦ Material: N0 -PA66 94V-0
- ⑧ Plating Code: SN-Bright Tin Plating
- ⑨ Color : Blank-Natural Color

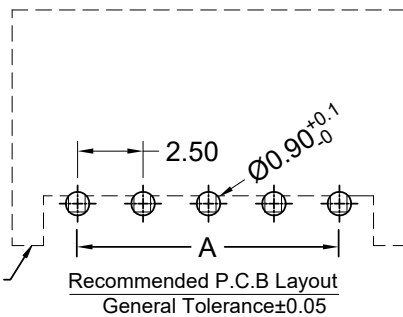


With Kink



Without Kink

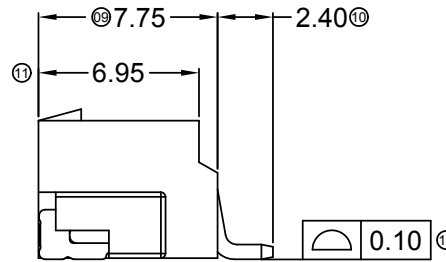
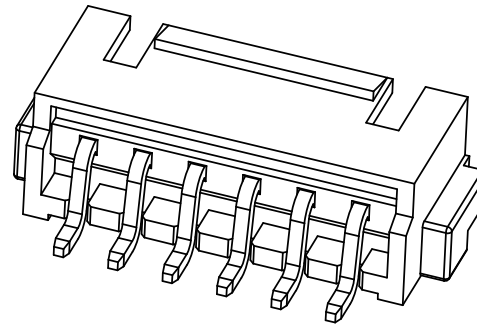
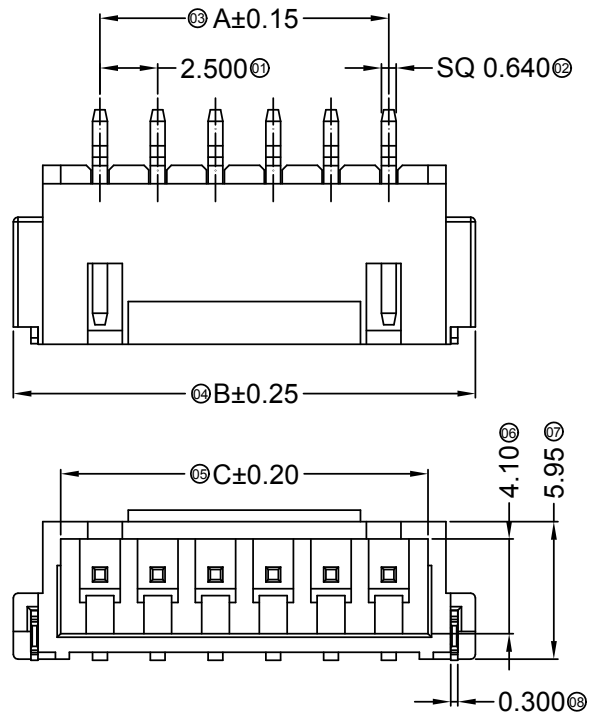
Poles	Dimensions(mm)		Poles	Dimensions(mm)	
	A	B		A	B
02	2.50	7.50	12	27.50	32.50
03	5.00	10.00	13	30.00	35.00
04	7.50	12.50	14	32.50	37.50
05	10.00	15.00	15	35.00	40.00
06	12.50	17.50	16	37.50	42.50
07	15.00	20.00	17	40.00	45.00
08	17.50	22.50	18	42.50	47.50
09	20.00	25.00	19	45.00	50.00
10	22.50	27.50	20	47.50	52.50
11	25.00	30.00			



Recommended P.C.B Layout  
 General Tolerance±0.05

					GENERAL TOLERANCE .X ±0.30 .XX ±0.20 .XXX ±0.10 X.° ±2°				东莞市国亚电子有限公司 DONGGUO GUOYA ELECTRONICS CO.,LTD				PART NO. 8821WR-XXXL-N0SN				
					PROJECT YANG ZHONG TIAN				APPROVAL CHECK DRAWN DATE YANG ZHONG TIAN 2019/07/10				TITLE 2.50mm Crimp Style Connectors				
DATE	REV	ECN NO	DESCRIPTION	MODIFY	APPROVAL							UNIT	SCALE	SHEET	REV	NUMBER	
												mm	1:1	1/1	A0	A-113	

RoHS



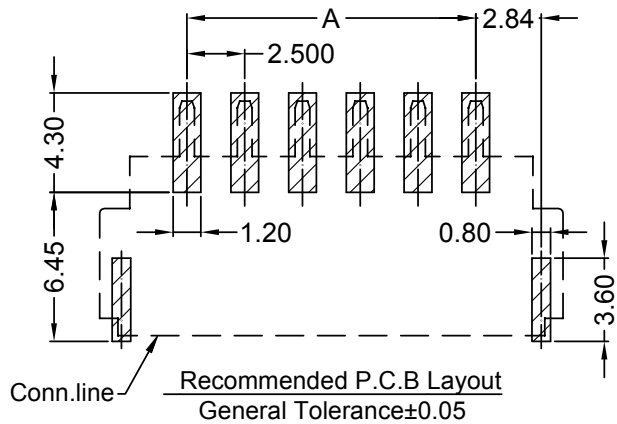
■ Specifications :

- Voltage rating: 250V AC / DC
- Current rating: 3A AC / DC
- Withstanding voltage: 1000V AC/minute
- Temperature range: -25°C~+85°C
- Insulation resistance: ≥500MΩ
- Contact resistance: ≤20mΩ
- After environmental testing: ≤30mΩ
- Material(Pin And Solder Tabs): Brass
- Finish(Solder Tabs): Bright Tin Plating
- Mates With GY Housing: 8821H-L

8821 W R S-XX L-4T SN XX

① ② ③ ④ ⑤ ⑥ ⑦ ⑧ ⑨

- ① Series No.
- ② Category: W-WAFER
- ③ Welding Board Angle: R-Right Angle 90°
- ④ Welding Way: S-SMT
- ⑤ Row No.-Pin No.: XX-02P~15P
- ⑥ Special No.: L-With Lock
- ⑦ Material: 4T -PA4T UL 94V-0
- ⑧ Plating Category: SN-Bright Tin Plating
- ⑨ Color : Blank-Natural Color



Poles	Dimensions (mm)			Poles	Dimensions (mm)		
	A	B	C		A	B	C
02	2.50	10.00	5.90	09	20.00	27.50	23.40
03	5.00	12.50	8.40	10	22.50	30.00	25.90
04	7.50	15.00	10.90	11	25.00	32.50	28.40
05	10.00	17.50	13.40	12	27.50	35.00	30.90
06	12.50	20.00	15.90	13	30.00	37.50	33.40
07	15.00	22.50	18.40	14	32.50	40.00	35.90
08	17.50	25.00	20.90	15	35.00	42.50	38.40

					GENERAL TOLERANCE .X ±0.30 .XX ±0.20 .XXX ±0.10 X.° ±2°				东莞市国亚电子有限公司 DONGGUO GUOYA ELECTRONICS CO.,LTD				PART NO. 8821WRS-XXL-4TSN								
					APPROVAL YANG				CHECK ZHONG				DRAWN TIAN				DATE 2014/11/07				
PROJECT 										TITLE 2.50mm Crimp Style Connector											
DATE	REV	ECN NO	DESCRIPTION	MODIFY	APPROVAL							UNIT	SCALE	SHEET	REV	NUMBER					
1												mm	1:1	1/1	A0	A-000					