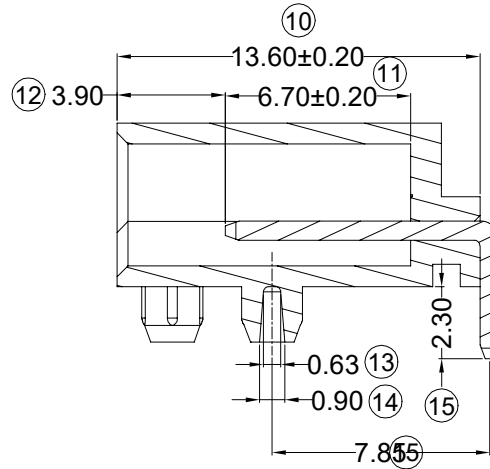
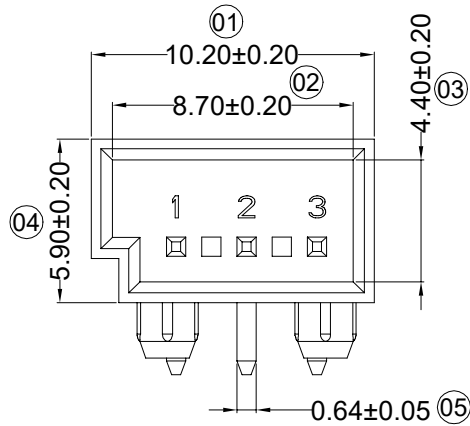
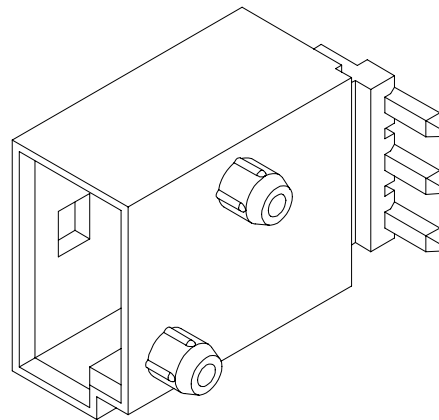
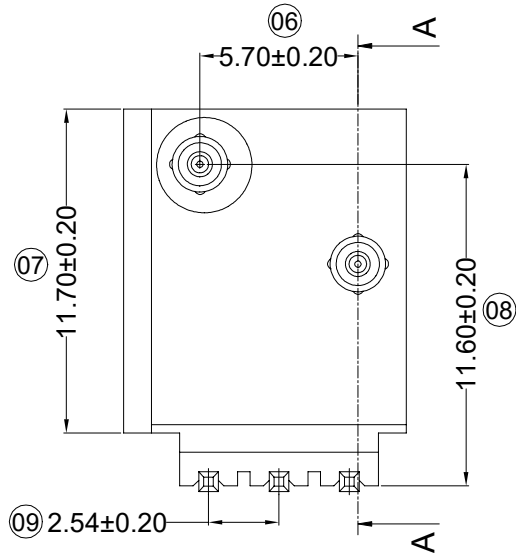


RoHS



SECTION A-A  
SCALE 1 : 1



■ Specifications :

- Voltage rating: 250V AC / DC
- Current rating: 3A AC / DC
- Withstanding voltage: 1000V AC/minute
- Temperature range: -25°C~+85°C
- Insulation resistance: ≥1000MΩ
- Contact resistance: ≤20mΩ
- After environmental testing: ≤30mΩ
- Material(Pin): Brass
- Mates With GYA Housing: 2530H

6621 W R X-03 X -PT SN XX  
① ② ③ ④ ⑤ ⑥ ⑦ ⑧ ⑨

- ① Series No.
- ② Category: W-WAFER
- ③ Welding Board Angle: R-Right Angle 90°
- ④ Welding Way: Blank-DIP
- ⑤ Row No.-Pin No.: 03-03P
- ⑥ Special No.:
- ⑦ Material: PT -PBT 94V-0
- ⑧ Plating Category: SN-Bright Tin Plating  
V01-All Gold Flash
- ⑨ Color : Blank-Black Color



					<p>GENERAL TOLERANCE</p> <p>.X ±0.30</p> <p>.XX ±0.20</p> <p>.XXX ±0.10</p> <p>X.° ±2°</p>				<p>东莞市国亚电子有限公司 DONGGUO GUOYA ELECTRONICS CO.,LTD</p>				<p>PART NO. 6621WR-03-PTXX</p>																																																			
					<p>APPROVAL</p> <p>YANG</p>				<p>CHECK</p> <p>TIAN</p>				<p>DRAWN</p> <p>TIAN</p>				<p>DATE</p> <p>2007/05/03</p>				<p>TITLE 2.54 mm Crimp Style Connectors</p>																																											
DATE					REV					ECN NO					DESCRIPTION					MODIFY					APPROVAL					PROJECT					UNIT					SCALE					SHEET					REV					NUMBER									
1					2					3					4					5					6					7					8					mm					1:1					1/1					A0					A-007				