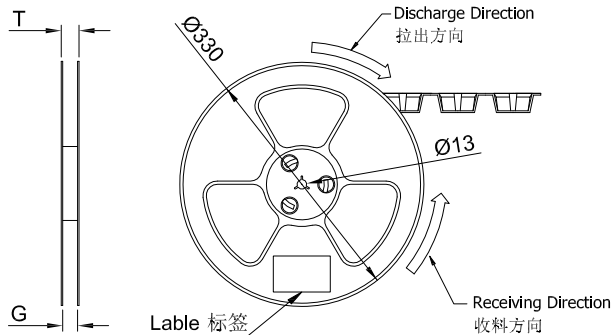
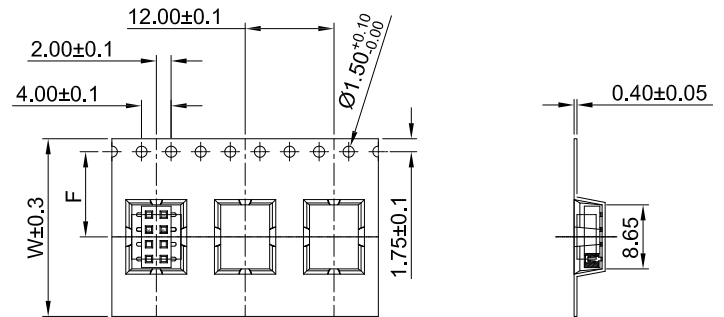
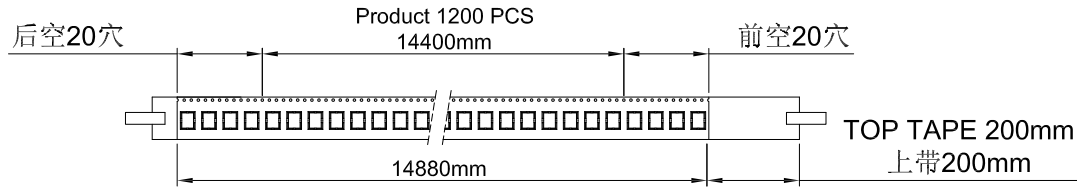
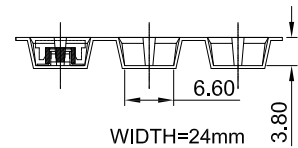
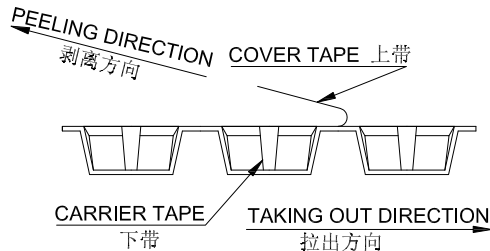


RoHS

包装图



COVER TAPE PEEL STRENGTH: 20~120g
 上带剥离力量: 20~120g
 速度 PEEL SPEED: 300mm/minute

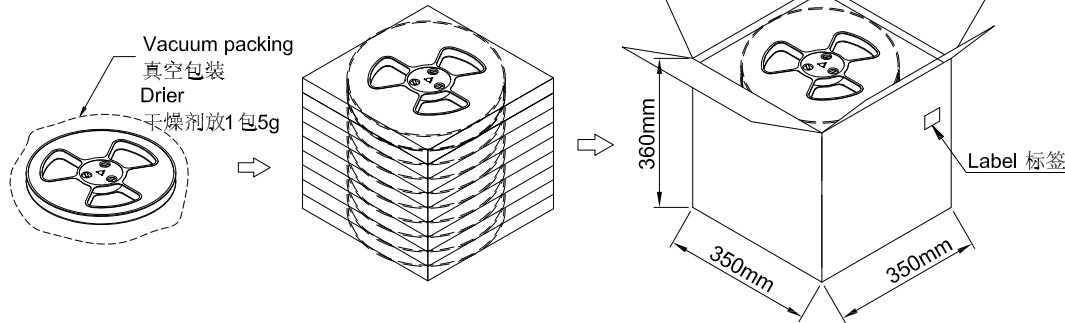


Lable 标签
 Single hole: None Hole Side
 单孔: 贴无链孔侧
 Double hole: Elliptical Hole Side
 双孔: 贴椭圆孔侧

Pin No.	W	S	F	T	G	REEL PCS	CARTON R	CARTON PCS
4601FVS-2*XX-6TV01-01	24	/	11.50	28.50	24.40	1200	12R	14400

Note:

- Carrier Camber Is Within 1mm In 100mm; 带长100mm 内容许弯曲度1mm
- 10 Sprocket Hole Pitch Cumulative Tolerance±0.2MM; 圆孔十个孔距离累计允许公差为±0.2mm
- Carrier tape material for PS; 下带材质为PS材质; Color颜色:Black黑色
- bracer保护带: Color颜色:Natural透明色, 厚度0.40mm最小
- Thickness=0.40±0.05; 材料厚度为0.40±0.05mm
- Carton material纸箱材质:K=K; Carton Thickness纸箱厚度: 6~7mm



DATE	REV	ECN NO.	DESCRIPTION	MODIFY	APPROVAL

GENERAL TOLERANCE	
.X	±0.30
.XX	±0.20
.XXX	±0.10
X°	±0.2°

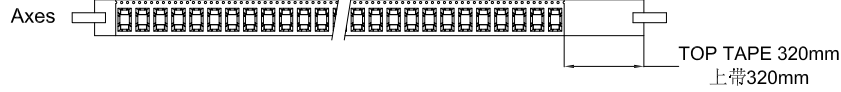
GYA 东莞市国亚电子有限公司
 Dong Guan Guo Ya Connectors co., Ltd.

APPROVAL	CHECK	DRAWN	DATE
Yangzhengguo	Yangzhengyi	Lvtiansheng	2016/08/26

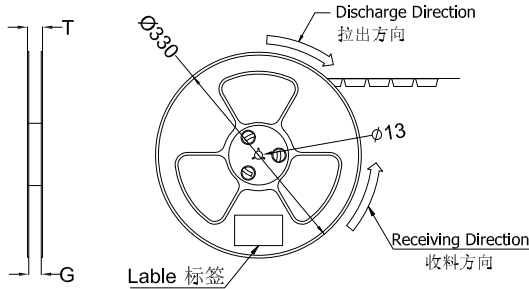
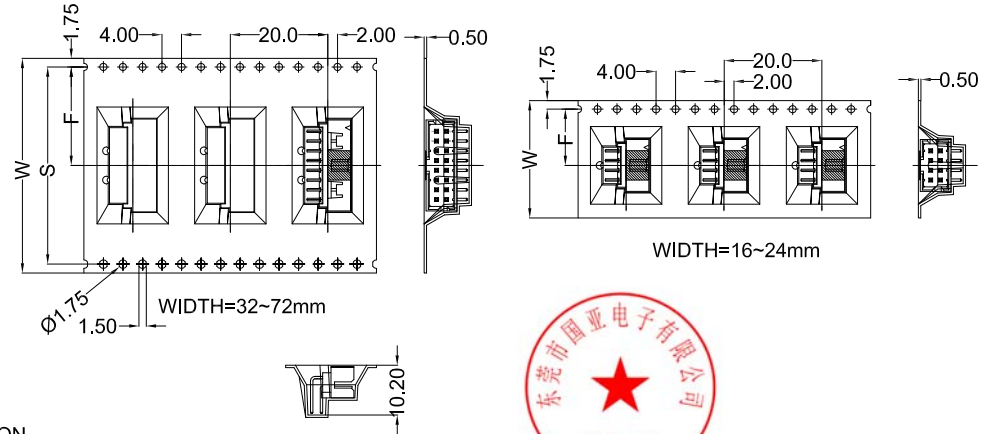
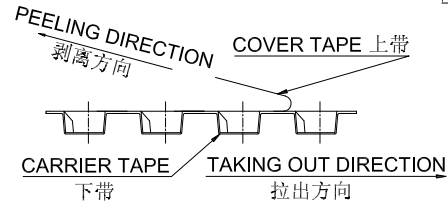
PART NO.				
PPN: 4601FVS-2*XX-6TV01-01 CTN: ZD4601FVS-2*XX-01HF				
TITLE				
2.00mm Connectors 180° Packing				
UNIT	SCALE	SHEET	REV	NUMBER
mm	1:1	1/1	A0	A-013

RoHS 包装图

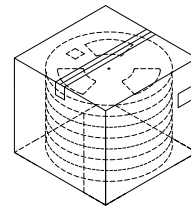
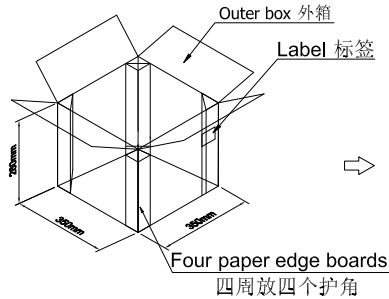
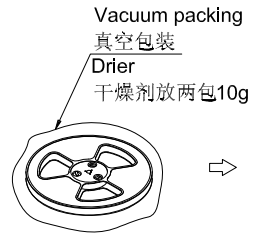
160mm Min 6000mm 包装数量300PCS 200mm Min



COVER TAPE PEEL STRENGTH:20~120g
剥离力量20~120g
速度 PEEL SPEED:300mm/minute



Single hole: None Hole Side
单孔: 贴无链孔侧
Double hole: Elliptical Hole Side
双孔: 贴椭圆孔侧



Note:

- Carrier Camber Is Within 1mm In 100mm ; 带长100mm 内容许弯曲度1mm
- 10 Sprocket Hole Pitch Cumulative Tolerance±0.2MM ; 圆孔十个孔距累积允许公差为±0.2mm
- Material for PS ; 材质为PS材质: 透明
- Thickness=0.50±0.05 ; 材料厚度为0.50±0.05mm

Pin No.	W	S	F	T	G	REEL PCS	CARTON R	CARTON PCS
ZD4601KR-2*02B3	16	/	7.5	20.5	16.5	300	11R	3300
ZD4601KR-2*03B3								
ZD4601KR-2*04B3	24	/	11.5	28.5	24.5	300	8R	2400
ZD4601KR-2*05B3								
ZD4601KR-2*06B3	32	28.4	14.2	36.5	32.5	300	6R	1800
ZD4601KR-2*07B3								
ZD4601KR-2*08B3								
ZD4601KR-2*09B3								
ZD4601KR-2*10B3	44	40.4	20.2	48.5	44.5	300	5R	1500
ZD4601KR-2*11B3								
ZD4601KR-2*12B3								
ZD4601KR-2*13B3								
ZD4601KR-2*14B3								
ZD4601KR-2*15B3								
ZD4601KR-2*16B3								
ZD4601KR-2*17B3								
ZD4601KR-2*18B3	56	52.4	26.2	60.5	56.5	300	4R	1200
ZD4601KR-2*19B3								
ZD4601KR-2*20B3								
ZD4601KR-2*21B3								
ZD4601KR-2*22B3								
ZD4601KR-2*25B3	72	68.4	34.2	76.5	72.5	300	3R	900

GENERAL TOLERANCE

.X	±0.30
.XX	±0.20
.XXX	±0.10
X°	±0.2°



东莞市国亚电子有限公司
Dong Guan Guo Ya Connectors co., Ltd.

APPROVAL CHECK DRAWN DATE

Yangzhengguo Yangzhengyi Lviansheng 2016/08/26

PART NO.

PPN: ZD4601KR-2*XXB3
CPN: 4601KR-2*XXB3-4TXXX

TITLE

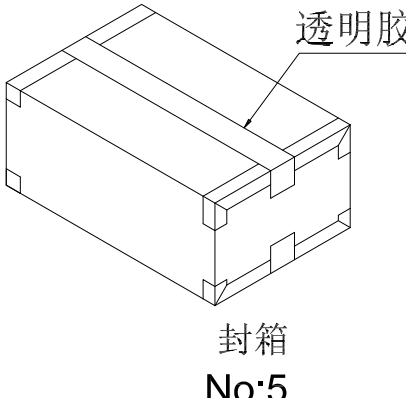
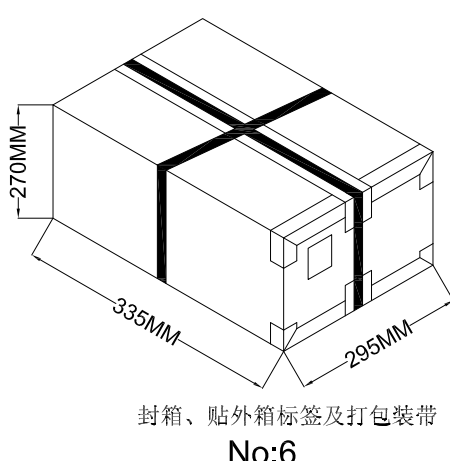
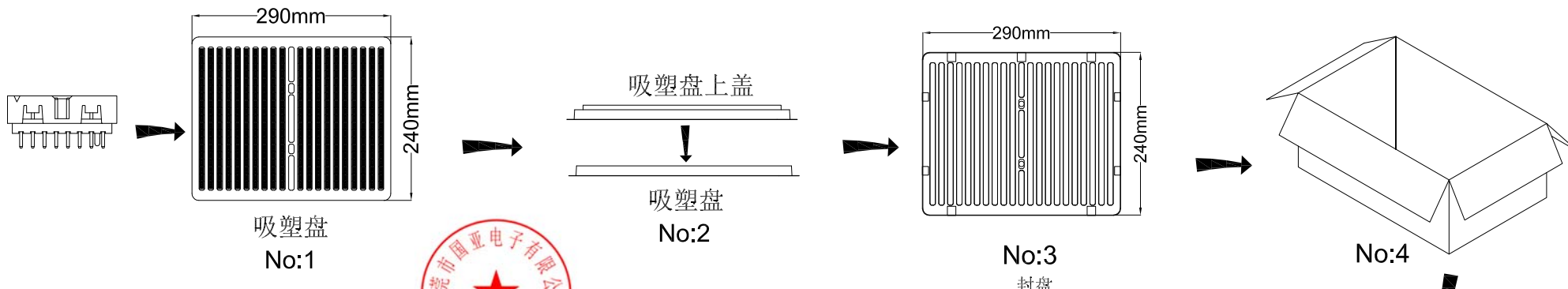
2.00mm Box Header Style connectors Package

UNIT	SCALE	SHEET	REV	NUMBER
mm	1:1	1/1	A0	A-205

DATE	REV	ECN NO.	DESCRIPTION	MODIFY	APPROVAL
1	2	3	4	5	6

RoHS

包装图



PH2.00 双排180度筒牛							
规格	每盘/pcs	每箱/盘	每箱/pcs	规格	每盘/pcs	每箱/盘	每箱/pcs
2*03	480	12	5760	2*15	120	12	1440
2*04	380	12	4560	2*16	120	12	1440
2*05	320	12	3840	2*17	100	12	1200
2*06	280	12	3360	2*18	100	12	1200
2*07	240	12	2880	2*19	100	12	1200
2*08	220	12	2640	2*20	80	12	960
2*09	200	12	2400	2*21	80	12	960
2*10	180	12	2160	2*22	80	12	960
2*11	160	12	1920	2*23	80	12	960
2*12	140	12	1680	2*24	60	12	720
2*13	140	12	1680	2*25	60	12	720
2*14	120	12	1440				

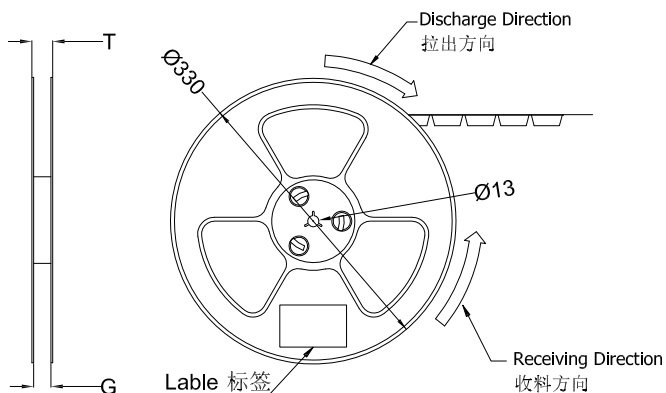
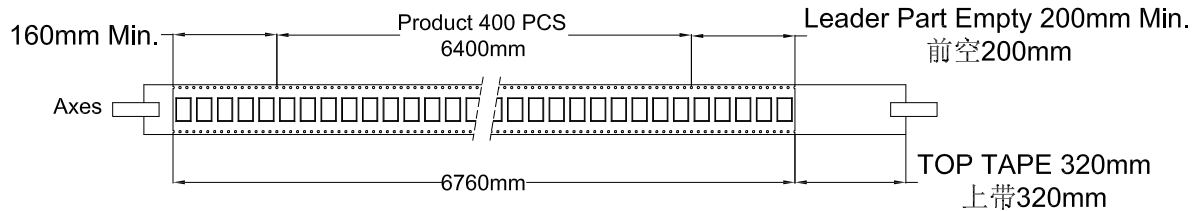
包装说明:

- 步骤1: 将检验好之产品 DIP脚朝上摆入真空盘内.
- 步骤2: 将真空盘上盖盖在真空盘上.
- 步骤3: 将装好产品的真空盘用胶带将四周封好.
- 步骤4: 将装好产品的真空盘放入纸箱内.
- 步骤5: 用透明胶将纸箱四周封好.
- 步骤6: 用透明胶把外箱封好并在外箱上贴上标签.再用包扎,带包扎好.

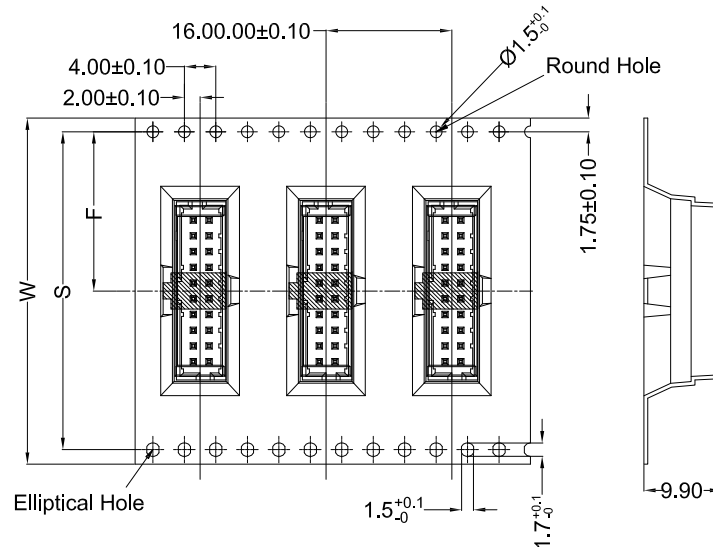
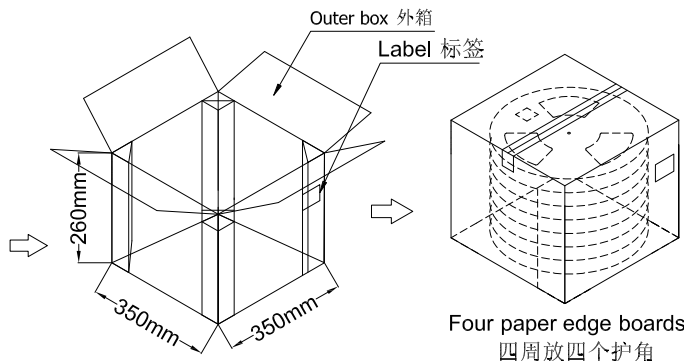
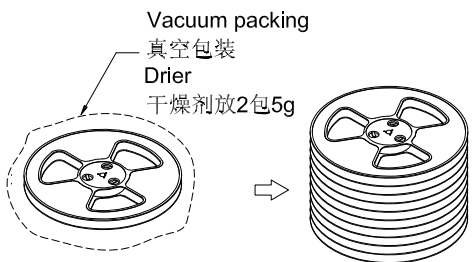
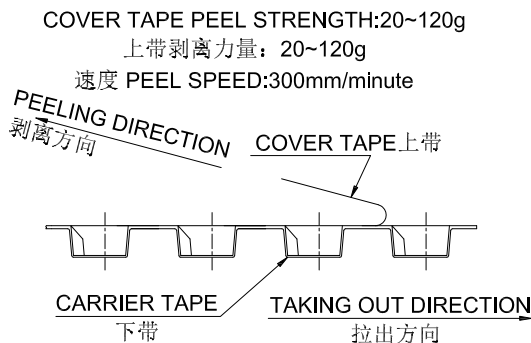
					<p>GENERAL TOLERANCE</p> <p>.X ±0.30</p> <p>.XX ±0.20</p> <p>.XXX ±0.10</p> <p>X° ±0.2°</p>				<p>GYA 东莞市国亚电子有限公司</p> <p>Dong Guan Guo Ya Connectors co., Ltd.</p>				<p>PART NO. 4601KV-2xxxU-XXXX</p>				
					<p>APPROVAL Yangzhengguo</p> <p>CHECK Yangzhengyi</p> <p>DRAWN Lviansheng</p> <p>DATE 2016/08/26</p>				<p>TITLE 2.00mm BOX Header Package</p>								
DATE	REV	ECN NO.	DESCRIPTION	MODIFY	APPROVAL					UNIT	SCALE	SHEET	REV	NUMBER			
										mm	1:1	1/1	A0	A-071			

RoHS

包装图



Lable 标签
 Single hole: None Hole Side
 单孔: 贴无链孔侧
 Double hole: Elliptical Hole Side
 双孔: 贴椭圆孔侧



Note:

- Carrier Camber Is Within 1mm In 100mm ; 带长100mm 内容许弯曲度1mm
- 10 Sprocket Hole Pitch Cumulative Tolerance±0.2MM ; 圆孔十个孔距离累计允许公差为±0.2mm
- Material for PS ; 材质为PS材质 ; 透明色
- Thickness=0.50±0.05 ; 材料厚度为0.50±0.05mm

Pin No.	W	S	F	T	G	REEL /PCS	CARTON /R	CARTON /PCS
ZD4601KVS-2*10B	44	40.4	20.2	44.50	44.4	400	5	2000

GENERAL TOLERANCE	
.X	±0.30
.XX	±0.20
.XXX	±0.10
X°	±0.2°

GYA 东莞市国亚电子有限公司
 Dong Guan Guo Ya Connectors co., Ltd.

APPROVAL	CHECK	DRAWN	DATE
Yangzhengguo	Yangzhengyi	Lvtiansheng	2016/08/26

PART NO. PPN: 4601FVS-2*XX-6TV01-01
 CTN: ZD4601FVS-2*XX-01HF

TITLE				
2.00mm Connectors 180° Package				
UNIT	SCALE	SHEET	REV	NUMBER
mm	1:1	1/1	A0	A-013

DATE	REV	ECN NO.	DESCRIPTION	MODIFY	APPROVAL