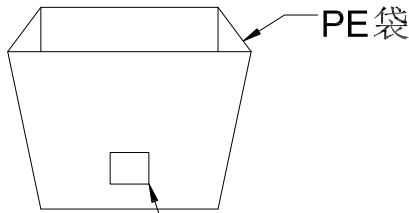
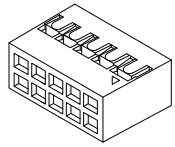
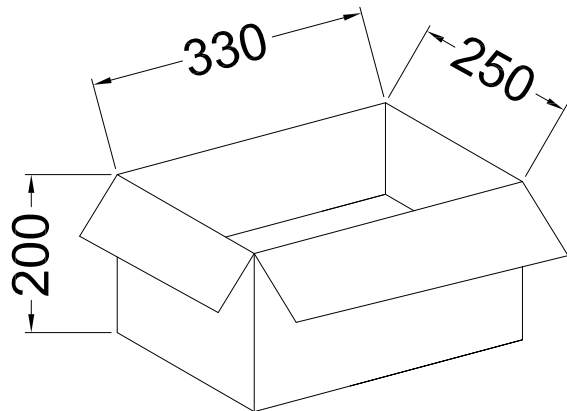


RoHS



Lable 标签



Note注解:

1. Put Housing in a PE bag, PE bag gauge for: 130 \* 135 \* 0.10 mm, Packing detail see the table below

将 Housing放入PE袋内, PE袋规为:130\*135\*0.10mm, 详细包装见下表

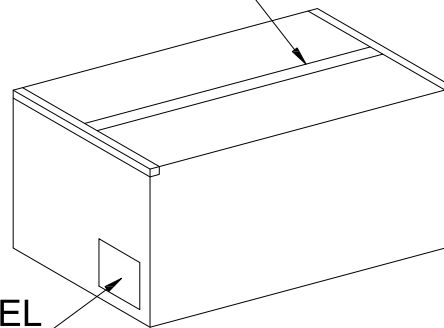
2. Put PE bag packed products in specifications of 330 \* 250 \* 300 mm cartons, Packing detail see the table below

将装好产品的PE袋放入规格为330\*250\*200mm的纸箱内, 详细包装见下表

3. Label depends on customer request, carton opening joint with transparent tape  
标签依客户要求而定, 纸箱开口处用透明胶带贴合.



胶带ADHESIVE TAPE



标签 LABEL

Poles	Bag PCS	CARTON Bag	CARTON PCS
2*02	1000	75	75K
2*03	1000	75	75K
2*04	1000	75	75K
2*05	1000	75	75K
2*06	1000	75	75K
2*07	1000	75	75K
2*08	1000	75	75K
2*09	1000	75	75K
2*10	1000	75	75K
2*11	1000	75	75K
2*12	1000	75	75K
2*13	1000	75	75K
2*14	1000	75	75K
2*15	1000	75	75K

DATE	REV	ECN NO.	DESCRIPTION	MODIFY	APPROVAL	PROJECT	APPROVAL	CHECK	DRAWN	DATE	UNIT	SCALE	SHEET	REV	NUMBER
1	2					PROJECT	Yangzhengguo	Yangzhengyi	Lvtiansheng	2016/08/26	mm	1:1	1/1	A0	A-106

GENERAL TOLERANCE

.X ±0.30

.XX ±0.20

.XXX ±0.10

X.° ±2°



东莞市国亚电子有限公司

Dong Guan Guo Ya Connectors co., ltd.

PART NO.

4601H-2\*XXX-XXXX

TITLE

2.00mm Housing Package

DATE

REV

ECN NO.

DESCRIPTION

MODIFY

APPROVAL

PROJECT



APPROVAL

CHECK

DRAWN

DATE

UNIT

SCALE

SHEET

REV

NUMBER

mm

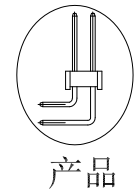
1:1

1/1

A0

A-106

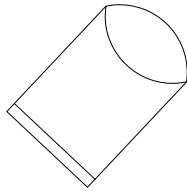
RoHS



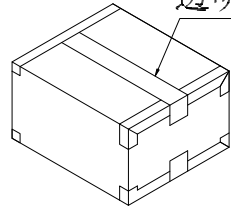
产品



干燥剂

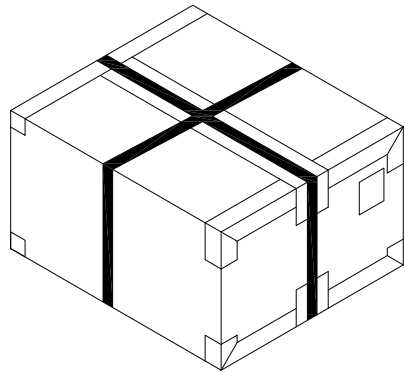


PE袋  
PE Bag  
步骤一



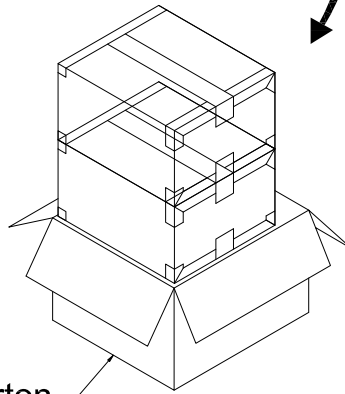
内箱  
Inner Carton  
步骤二

透明胶



步骤四

外箱标签



外箱  
Outer Carton

包装说明:

步骤1: 将检验好之产品依包装数量装入PE袋中, 并放入一包干燥剂, 并将PE袋封好. 贴上标签.

步骤2: 将装好产品的PE袋依包装数量, 装入内箱并用透明胶四周封好. 贴上标签.

步骤3: 将装好产品的内箱套入外箱. (一大箱装二小箱)

步骤4: 用透明胶把外箱封好并在外箱上贴上标签. 再用包扎带包扎好.

注: 尾数可用填充物填充.



Part No.	PIN	PE Bag		Inner Carton		Outer Carton		Total
		PCS/PE	SIZE (CM)	BAG Inner Carton	SIZE (CM)	Inner Carton/ Outer Carton	SIZE (CM)	2 Inner Carton /Outer Carton
4601WR-2*05F-LPV01-A	10	500	15.4*20.4*0.0075	30	34*34*15.5	2	35*35*34	30,000

				GENERAL TOLERANCE		GYA 东莞市国亚电子有限公司 Dong Guan Guo Ya Connectors co., ltd.				PART NO. 4601WR-2*XXF-LPV01-A			
				.X ±0.30		APPROVAL		CHECK		DRAWN		DATE	
				.XX ±0.20		PROJECT		Yangzhengguo		Yangzhengyi		Lviansheng	
				.XXX ±0.10		PROJECT		Yangzhengguo		Yangzhengyi		Lviansheng	
				X.° ±2°		PROJECT		Yangzhengguo		Yangzhengyi		Lviansheng	
DATE	REV	ECN NO.	DESCRIPTION	MODIFY	APPROVAL	PROJECT		Yangzhengguo		Yangzhengyi		Lviansheng	
1	2	3	4	5	6	7	8	9	10	11	12	13	14

UNIT	SCALE	SHEET	REV	NUMBER
mm	1:1	1/1	A0	A-106