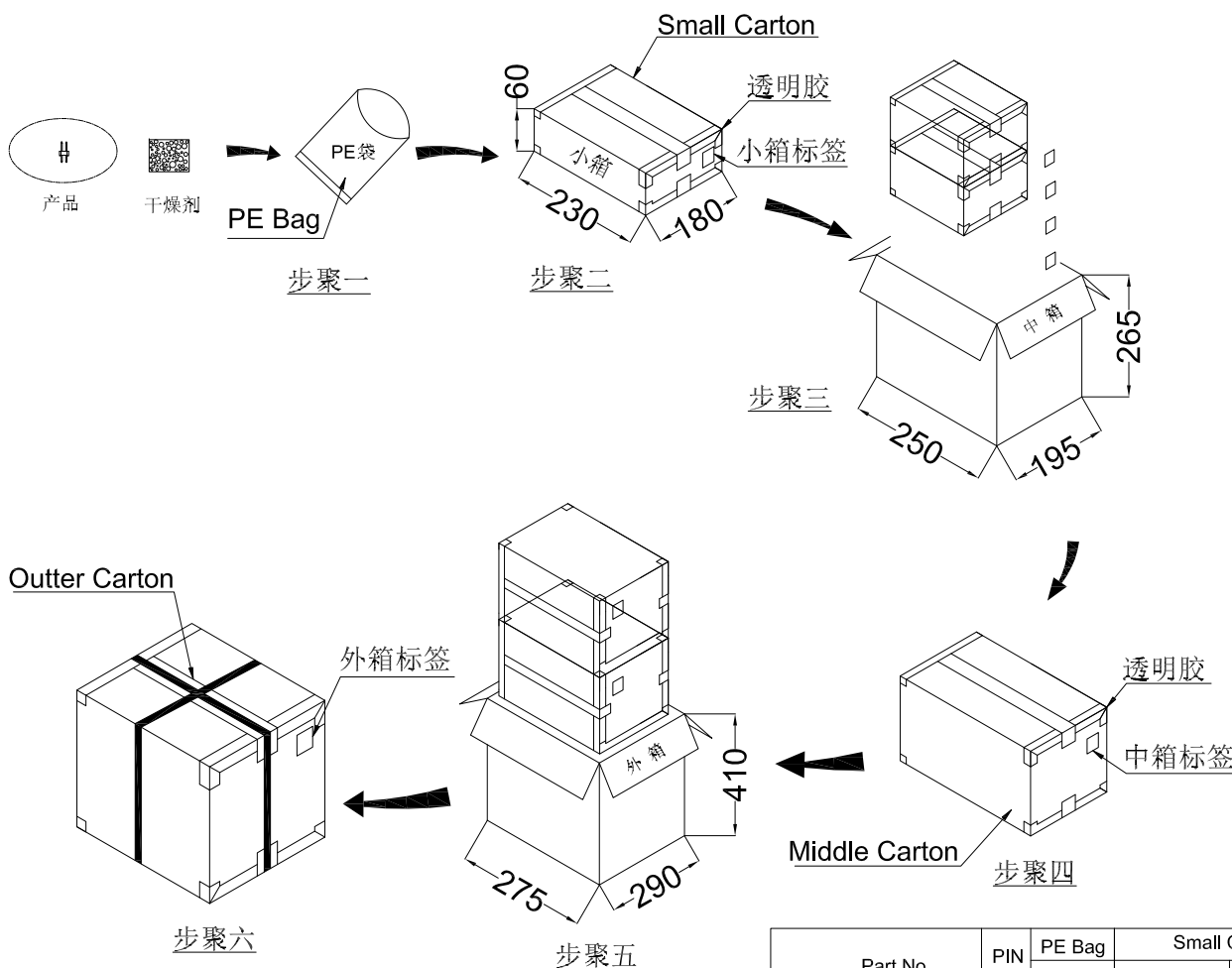


RoHS

包装图



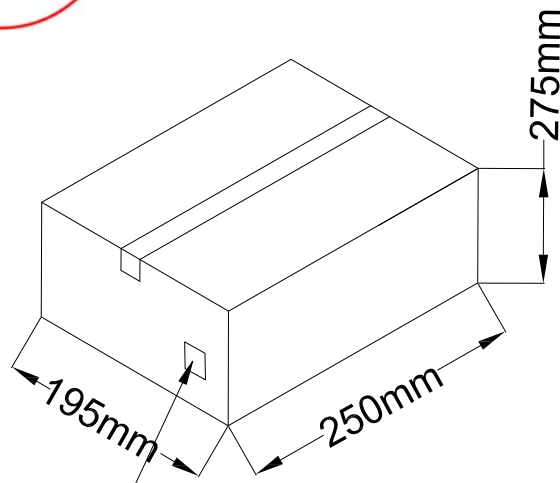
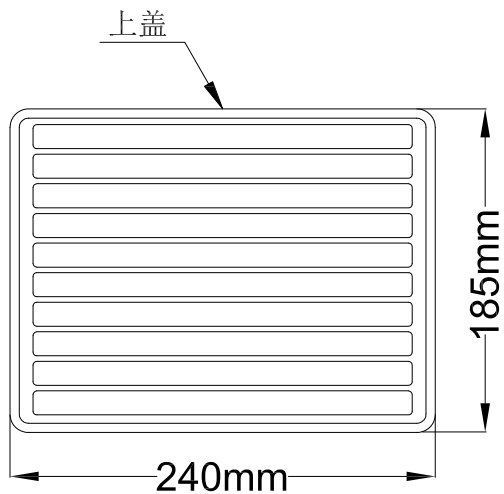
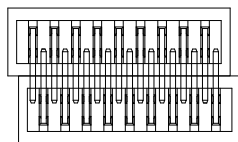
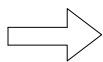
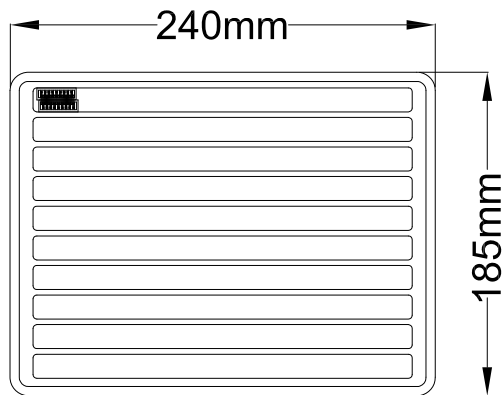
包装说明:

- 步骤1: 将检验好之产品依包装数量装入PE袋中, 同时放入一包干燥剂, 并将PE袋封好, 贴上标签.
  - 步骤2: 将装好产品贴有标签的PE袋依包装数量装入小箱, 并用透明胶四周封好, 贴上小箱标签.
  - 步骤3: 将装好产品贴有标签的小箱套入中箱 (一中箱装四小箱)
  - 步骤4: 用透明胶把中箱四周封好, 贴上中箱标签.
  - 步骤5: 将封好贴有标签的中箱套入外箱 (一外箱装二中箱).
  - 步骤6: 用透明胶把外箱四周封好, 贴上外箱标签, 再用包扎带包扎好.
- 注: 尾数可用填充物填充.

Part No.	PIN	PE Bag	Small Carton		Middle Carton		Outer Carton		Total
		PCS/PE	BAG/Inner Carton	SIZE (MM)	2 Middle Carton /Outer Carton	SIZE (MM)	Small Carton/Middle Carton	SIZE (MM)	Middle Carton/Outer Carton
4601WV-2*08NF-6TV01	16	1000	2	230x180x60	4	250x195x265	2	275x410x290	16,000

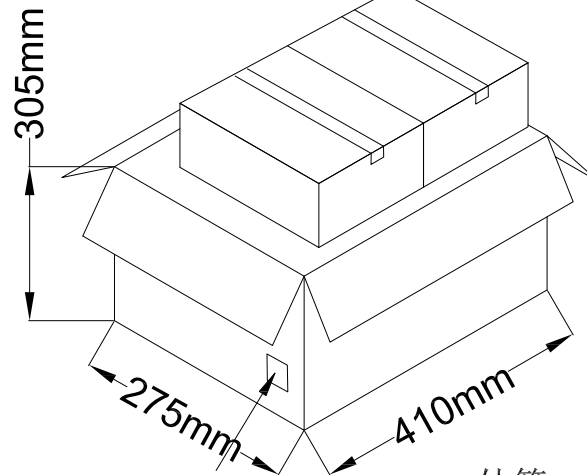
					GENERAL TOLERANCE .X ±0.30 .XX ±0.20 .XXX ±0.10 X° ±0.2°				<b>GYA</b> 东莞市国亚电子有限公司 Dong Guan Guo Ya Connectors co., Ltd.				PART NO. 4601WV-2*XXNF-6TV01							
					APPROVAL Yangzhengguo				CHECK Yangzhengyi				DRAWN Lviansheng				DATE 2016/08/26			
					视图 								TITLE: 2.00mm PIN Header Package							
DATE	REV	ECN NO.	DESCRIPTION	MODIFY	APPROVAL							UNIT	SCALE	SHEET	REV	NUMBER				
1												mm	1:1	1/1	A0	A-106				

RoHS 包装图



内箱标签

内箱



外箱标签

外箱

包装说明:

步骤1: 将检验好的良品整齐摆放入吸塑盘内, 然后盖上吸塑盘上盖, 并在吸塑盘四边订上书钉。

吸塑盘规格: 240\*185\*13.0mm

步骤2: 每装20盘为一内箱, 用胶带封好

内箱尺寸: 250\*195\*275mm

步骤3: 每装2内箱为一外箱, 用胶带封好

外箱尺寸: 410\*275\*305mm

纸箱材质: K=K

纸箱厚度: 6~7mm

注: 不满箱时, 需以填充物填充, 不可有晃动

PART NO.	PCS/盘	PCS/内箱	PCS/外箱
4601WR-2x09-4TBB10TH001F	200	4000	8000

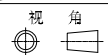
GENERAL TOLERANCE

.X ±0.30

.XX ±0.20

.XXX ±0.10

X° ±0.2°



东莞市国亚电子有限公司  
Dong Guan Guo Ya Connectors co., ltd.

APPROVAL

CHECK

DRAWN

DATE

Yangzhengguo

Yangzhengyi

Lvtiansheng

2016/08/26

PART NO.

4601WR-2x09-4TBB10TH001F

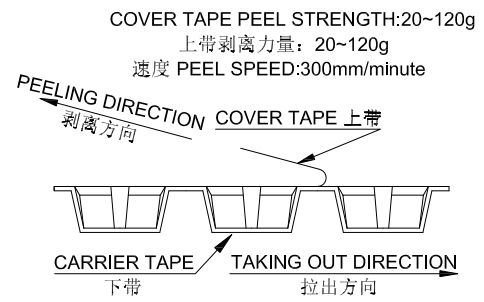
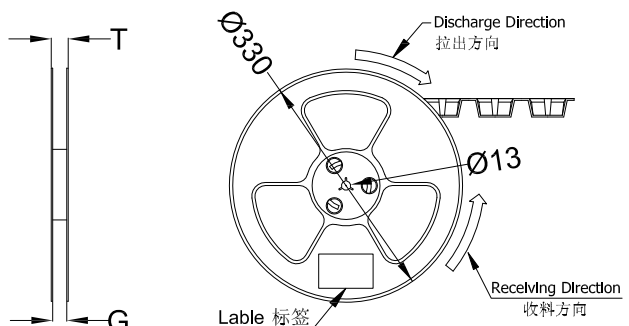
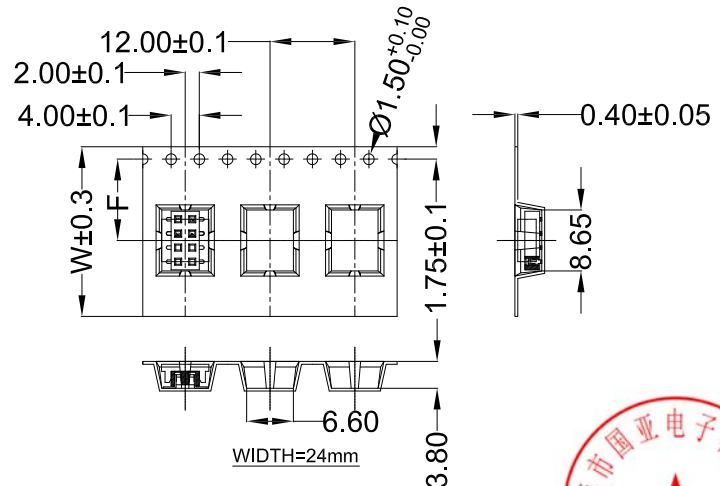
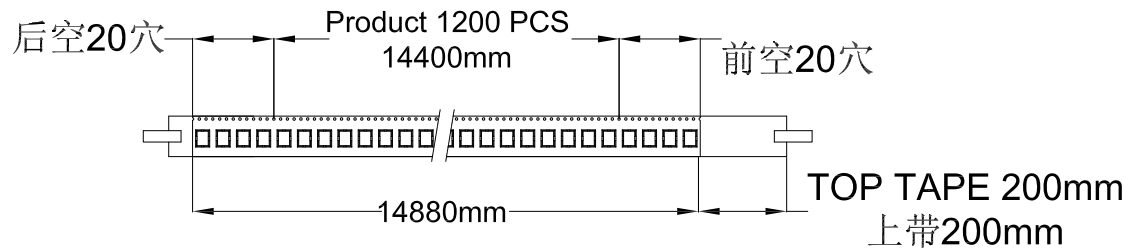
TITLE:

2.00 mm Crimp Style Connector Package

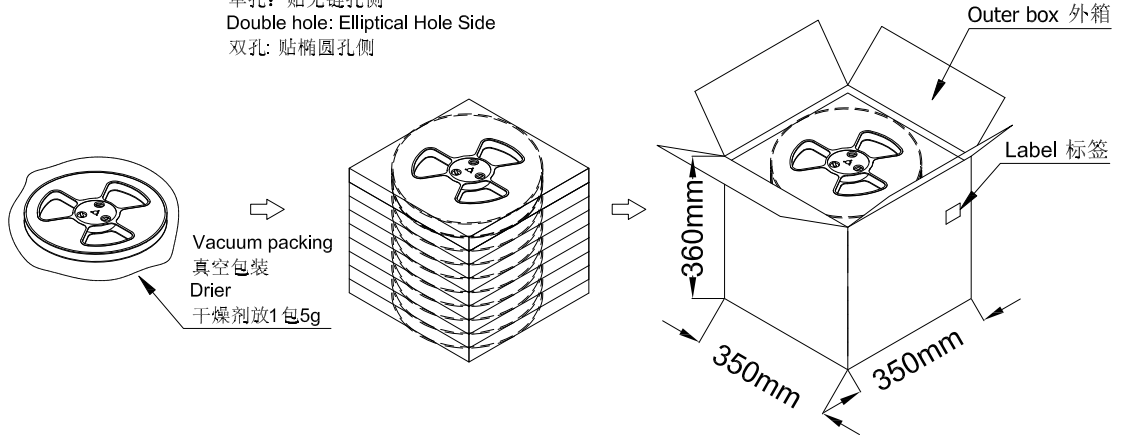
UNIT	SCALE	SHEET	REV	NUMBER
mm	1:1	1/1	A0	A-213

DATE	REV	ECN NO.	DESCRIPTION	MODIFY	APPROVAL
1					
2					
3					
4					

RoHS 包装图



Single hole: None Hole Side  
单孔: 贴无链孔侧  
Double hole: Elliptical Hole Side  
双孔: 贴椭圆孔侧



- Note:**
- Carrier Camber Is Within 1mm In 100mm ; 带长100mm 内容许弯曲度1mm
  - 10 Sprocket Hole Pitch Cumulative Tolerance±0.2MM ; 圆孔十个孔距累积允许公差为±0.2mm
  - Carrier tape material for PS ; 下带材质为PS材质; Color颜色:Black 黑色
  - bracer保护带: Color颜色:Natural透明色, 厚度0.40mm 最小
  - Thickness=0.40±0.05 ; 材料厚度为0.40±0.05mm
  - Carton material 纸箱材质:K=K; Carton Thickness 纸箱厚度: 6~7mm

Pin No.	W	S	F	T	G	REEL /PCS	CARTON /RCARTON	PCS
ZD4601FVS-2*XX-01HF	24	/	11.50	28.50	24.40	1200	12R	14400
4601FVS-2*XX-6TV01-01								

GENERAL TOLERANCE						G 东莞市国亚电子有限公司 Dong Guan Guo Ya Connectors co., ltd.	PART NO. 4601WR-2x09-4TBB10TH001F							
TITLE: 2.00 mm Crimp Style Connector Package														
DATE	REV	ECN NO.	DESCRIPTION	MODIFY	APPROVAL	APPROVAL	CHECK	DRAWN	DATE	UNIT	SCALE	SHEET	REV	NUMBER
						Yangzhengguo	Yangzhengyi	Lvtiansheng	2016/08/26	mm	1:1	1/1	A0	A-213