

RoHS



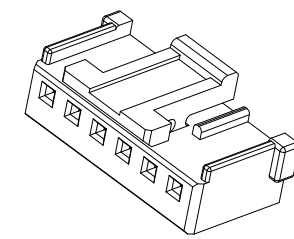
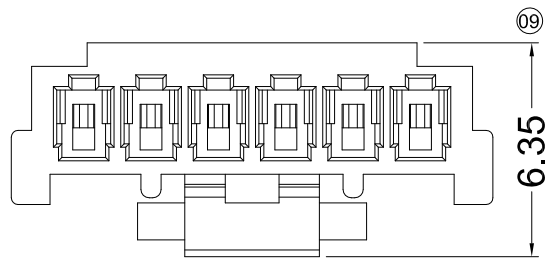
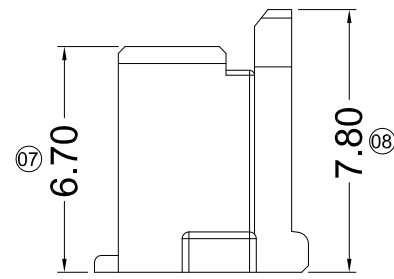
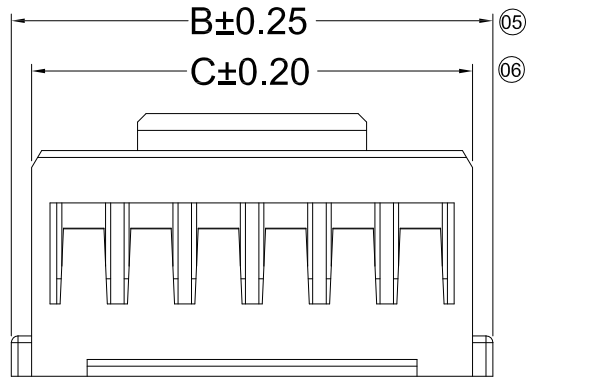
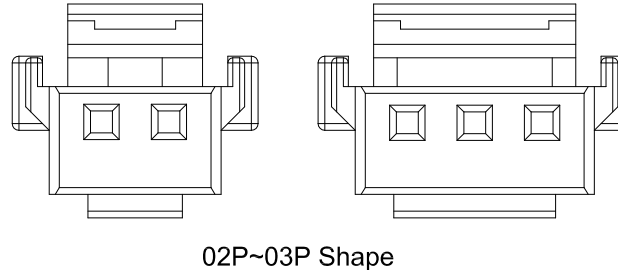
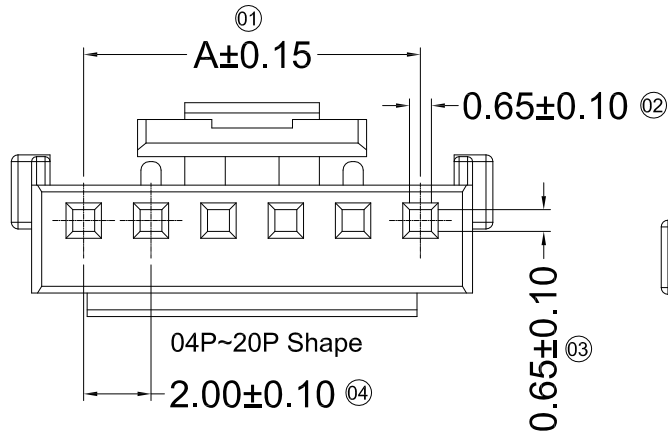
■ Specifications :

- Voltage rating: 125V AC / DC
- Current rating: 2A AC / DC
- Withstanding voltage: 1000V AC/minute
- Temperature range: -40° ~+105°
- Insulation resistance: ≥1000MΩ
- Contact resistance: ≤20mΩ
- After environmental testing: ≤30mΩ
- Suitable GYA Terminal : 3535T / 3535TH
- Suitable GYA Wafer : 3535WV / 3535WR

3535 H X - XX X - N0 XX

① ②③ ④⑤ ⑥ ⑦

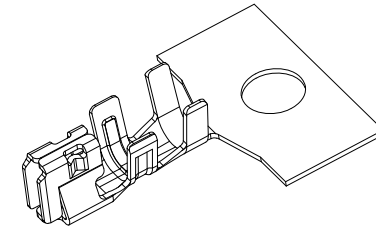
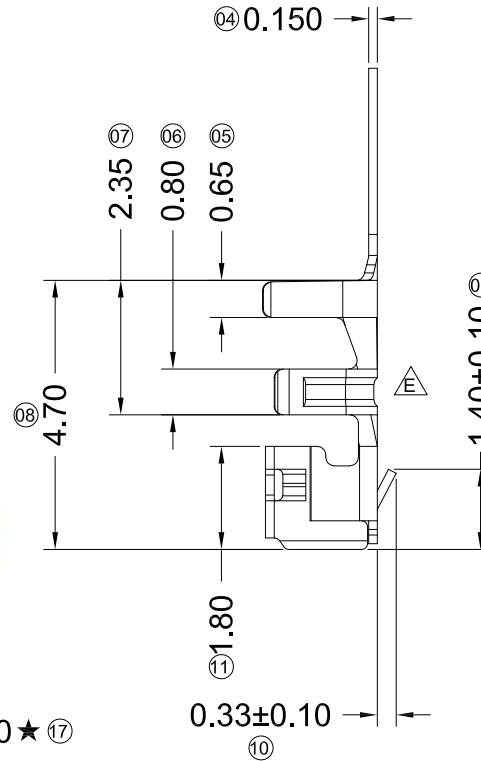
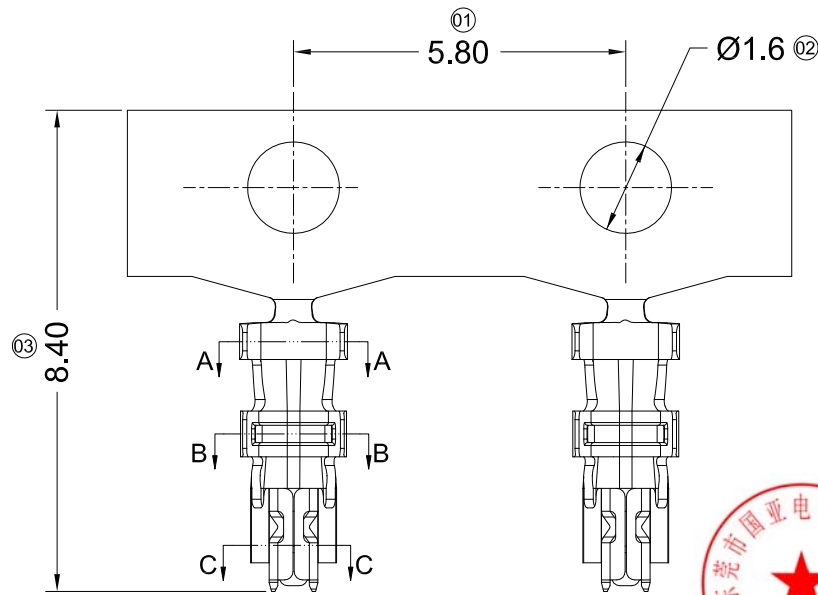
- ① Series No.
- ② Category: H-HSG
- ③ Appearance type: Blank-Ordinary
- ④ Row No.-Pin No.: XX-02P~20P
- ⑤ Plug the Pin & Special No.: Blank-Ordinary
- ⑥ Material : N0-PA66 UL 94V-0
- ⑦ Color : Blank-Natural Color



Poles	Dimensions (mm)			Poles	Dimensions (mm)		
	A	B	C		A	B	C
02	2.00	7.30	5.10	12	22.00	26.30	25.10
03	4.00	9.30	7.10	13	24.00	28.30	27.10
04	6.00	10.30	9.10	14	26.00	30.30	29.10
05	8.00	12.30	11.10	15	28.00	32.30	31.10
06	10.00	14.30	13.10	16	30.00	34.30	33.10
07	12.00	16.30	15.10	17	32.00	36.30	35.10
08	14.00	18.30	17.10	18	34.00	38.30	37.10
09	16.00	20.30	19.10	19	36.00	40.30	39.10
10	18.00	22.30	21.10	20	38.00	42.30	41.10
11	20.00	24.30	23.10				

					GENERAL TOLERANCE .X ±0.30 .XX ±0.20 .XXX ±0.10 X.° ±2° PROJECT 				<b>GYA</b> 东莞市国亚电子有限公司 Connectors Dong Guan Guo Ya Connectors co., ltd.				PART NO. 3535H-XX-N0-XX TITLE 2.00mm Crimp Style Connectors			
					APPROVAL	CHECK	DRAWN	DATE	UNIT		SCALE	SHEET	REV	NUMBER		
DATE	REV	ECN NO.	DESCRIPTION	MODIFY	APPROVAL	Yangzhengguo	Yangzhengyi	Lvtiansheng	2016/08/26	mm	1:1	1/1	A0	A-000		

RoHS

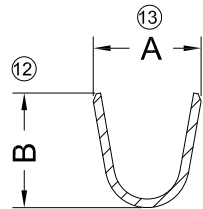


Specifications :

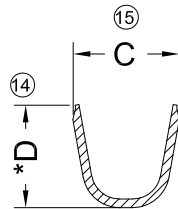
- Voltage rating: 125V AC / DC
- Current rating: 2A AC / DC
- Withstanding voltage: 1000V AC/minute
- Temperature range: -40° ~+105°
- Insulation resistance: ≥1000MΩ
- Contact resistance: ≤20mΩ
- After environmental testing: ≤30mΩ
- Material(Pin): Phosphor bronze
- Mates With GYA Housing : 3535H
- " ★ " Critical dimension

3535 T X - P SN X - X  
 ① ②③ ④ ⑤ ⑥ ⑦

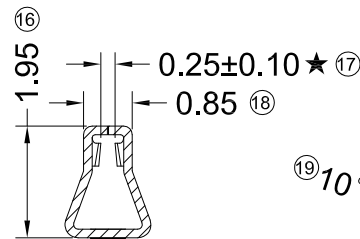
- ① Series Number
- ② Category: T-terminal
- ③ Shape: Blank-ordinary ; H-High Crimp
- ④ Material: P-Phosphor bronze
- ⑤ Plating Code: SN-Bright tin plating
- ⑥ Plating method: Blank-Stamping before plating
- ⑦ Mold No./Mark/Special No. :



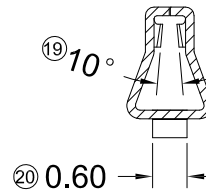
SECTION A-A  
SCALE 1:1



SECTION B-B  
SCALE 1:1



SECTION C-C  
SCALE 1:1



3535T-PSN	1.88	2.00	1.23	1.33	AWG#24~26 (0.22~0.13mm <sup>2</sup> )	1.00~1.40mm
3535TH-PSN	1.88	2.00	1.85	1.80	AWG#20~22 (0.5~0.35mm <sup>2</sup> )	1.30~1.45mm
PART NO	Dim A	Dim B	Dim C	Dim D	Wire Size	Insulation O.D.



GENERAL TOLERANCE

- .X ±0.30
- .XX ±0.20
- .XXX ±0.10
- X.° ±2°



东莞市国亚电子有限公司  
 Dong Guan Guo Ya Connectors co., ltd.

APPROVAL CHECK DRAWN DATE

PROJECT Yangzhengguo Yangzhengyi Lviansheng 2016/08/26

PART NO.

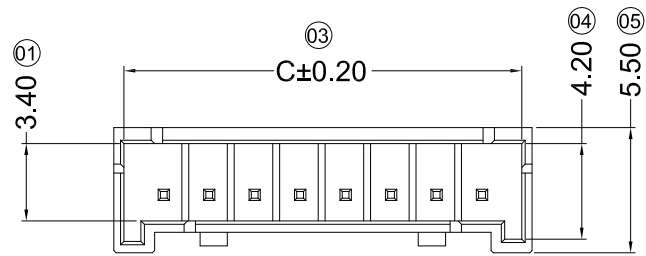
3535TX-PSN

TITLE 2.00mm Crimp Style Connectors

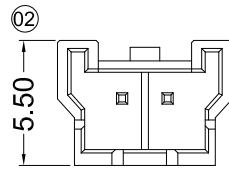
UNIT	SCALE	SHEET	REV	NUMBER
mm	1:1	1/1	E	A-000

DATE	REV	ECN NO.	DESCRIPTION	MODIFY	APPROVAL
1					

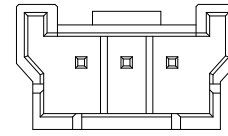
RoHS



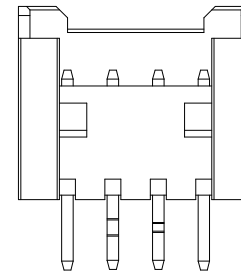
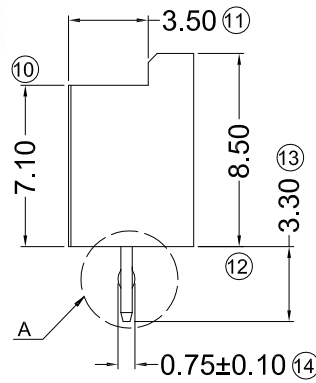
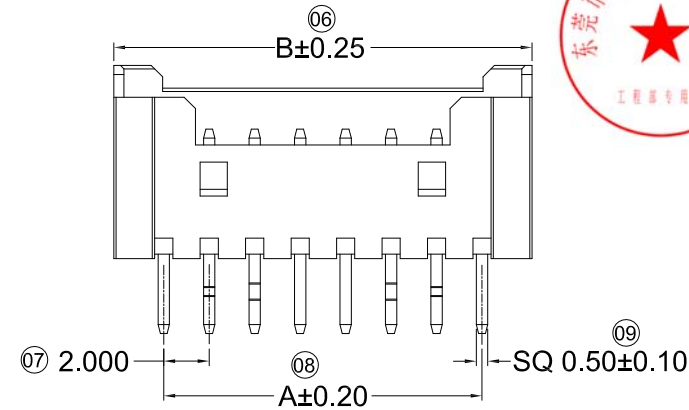
04P~15P Shape  
Scale 1:1



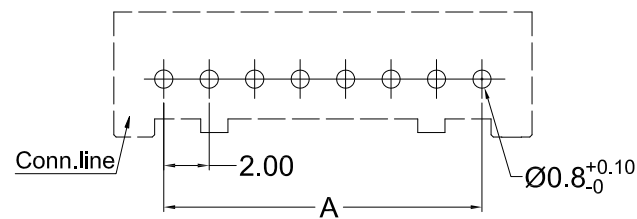
02P Shape  
Scale 1:1



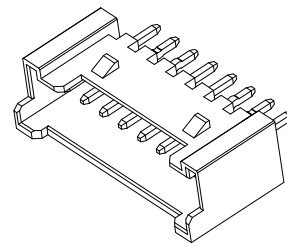
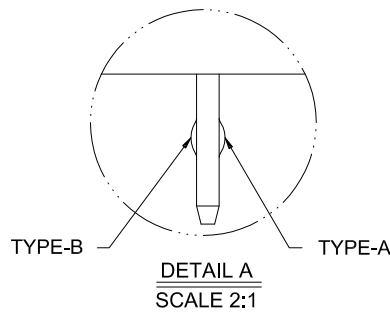
03P Shape  
Scale 1:1



02P~04P Shape



Recommended P.C.B Layout  
General Tolerance±0.05



■ Specifications :

- Voltage rating: 125V AC / DC
- Current rating: 2A AC / DC
- Withstanding voltage: 100V AC/minute
- Temperature range: -40° ~+105°
- Insulation resistance: ≥1000MΩ
- Contact resistance: ≤20mΩ
- After environmental testing: ≤30mΩ
- Material(Pin): Brass
- Mates With GYA Housing : 3535H

3535 W V X - XX X - N0 SN XX  
① ② ③ ④ ⑤ ⑥ ⑦ ⑧ ⑨

- ① Series No.
- ② Category: W-WAFER
- ③ Welding Board Angle: V-Straight 180°
- ④ Welding Way: Blank-DIP
- ⑤ Row No.-Pin no.: XX-02P~20P
- ⑥ Plug the Pin & Special No.:
- ⑦ Material: N0 -PA66 UL 94V-0
- ⑧ Plating Category: SN-Bright Tin Plating
- ⑨ Color : Blank-Natural Color

With K to Choose the type(A Or B)

PoLes	PIN No	TYPE								
		1	2	3	4	5	6	N-2	N-1	N
6 PIN Over		-	A	B	-	-	-	B	A	-
6 PIN		-	A	B	B	A	-			
5 PIN		A	B	-	B	A				
4 PIN		A	B	B	A					
3 PIN		A	B	A						
2 PIN		A	B							

Poles	Dimensions (mm)			Poles	Dimensions (mm)		
	A	B	C		A	B	C
02	2.00	7.70	5.30	09	16.20	20.50	19.60
03	4.00	9.70	7.30	10	18.20	22.50	21.60
04	6.00	10.30	9.30	11	20.20	24.60	23.60
05	8.00	12.30	11.30	12	22.20	26.60	25.70
06	10.00	14.30	13.30	13	24.20	28.70	27.70
07	12.10	16.40	15.50	14	26.20	30.70	29.70
08	14.10	18.40	17.50	15	28.30	32.80	31.60

DATE	REV	ECN NO.	DESCRIPTION	MODIFY	APPROVAL
1					
2					
3					
4					
5					

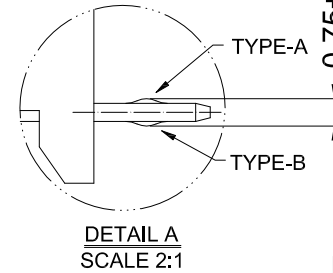
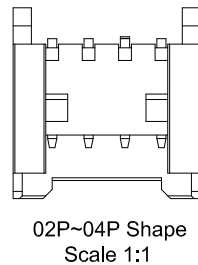
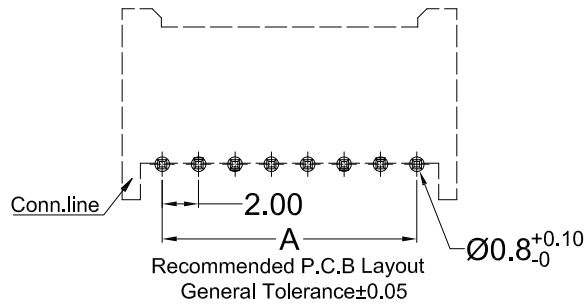
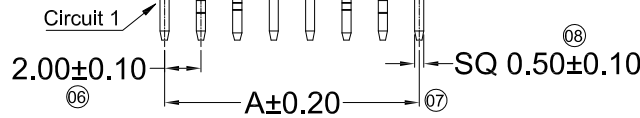
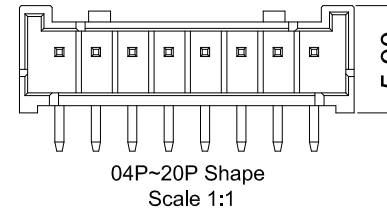
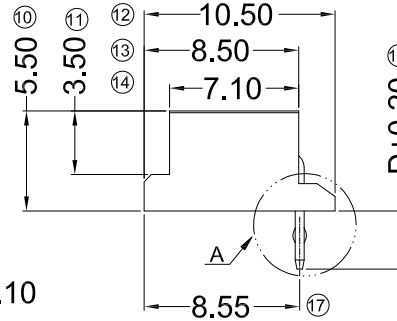
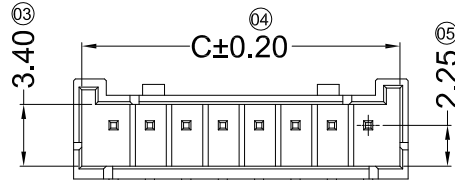
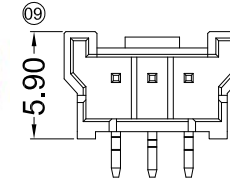
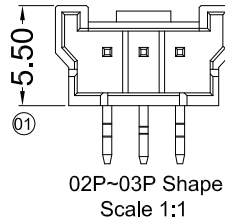
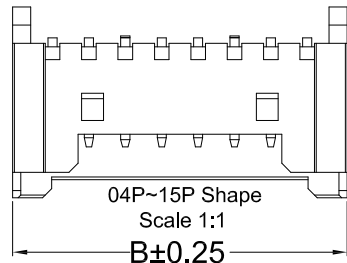
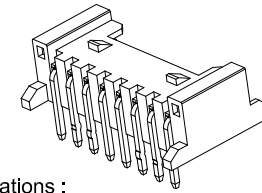
GENERAL TOLERANCE	
.X	±0.30
.XX	±0.20
.XXX	±0.10
X.°	±2°
PROJECT	
①	②

**GYA** 东莞市国亚电子有限公司  
Connectors Dong Guan Guo Ya Connectors co., ltd.

APPROVAL	CHECK	DRAWN	DATE
Yangzhengguo	Yangzhengyi	Lvtiansheng	2016/08/26

PART NO.				
3535WV-XX-N0SN				
TITLE				
2.00mm Crimp Style Connectors				
UNIT	SCALE	SHEET	REV	NUMBER
mm	1:1	1/1	A0	A-000

RoHS



- Specifications :
- Voltage rating: 125V AC / DC
  - Current rating: 2A AC / DC
  - Withstanding voltage: 100V AC/minute
  - Temperature range: -40° ~+105°
  - Insulation resistance: ≥1000MΩ
  - Contact resistance: ≤20mΩ
  - After environmental testing: ≤30mΩ
  - Material(Pin): Brass
  - Mates With GYA Housing : 3535H

3535 W R X - XX XX - XX XX XX - X  
① ② ③ ④ ⑤ ⑥ ⑦ ⑧ ⑨ ⑩

- ① Series No.
- ② Category: W-WAFER
- ③ Welding Board Angle: R-Right Angle 90°
- ④ Welding Way: Blank-DIP
- ⑤ Row No.-Pin No.: XX-02P~20P
- ⑥ Plug the Pin & Special No.:  
A- DIP=3.20mm,With Kink  
B-DIP=2.50mm,With Kink  
C-DIP=2.10mm,Without Kink  
C1- DIP=2.10mm,Without Kink, With Stand off
- ⑦ D-DIP=3.00mm,With Kink  
Material: N0 -PA66 UL 94V-0
- ⑧ 9T -PA9T UL 94V-0
- ⑨ Plating Category: SN-Bright Tin Plating  
SW-Matte Tin Plating
- ⑩ Color : Blank-Natural Color  
1- Flow code ~~~~~

Dim"D"	
TYPE	Dimensions (mm)
A	3.20mm,With Kink
B	2.50mm,With Kink
C	2.10mm,Without Kink
C1	2.10mm,Without Kink, With Stand off
D	3.00mm,With Kink

With Kink to Choose the type(A Or B)

PIN No PoLes	TYPE										
	1	2	3	4	5	6	N-2	N-1	N		
6 PIN Over	-	A	B	-	-	-	B	A	-		
5 Pin	A	B	-	B	A						
4 Pin	A	B	B	A							
3 Pin	A	B	A								
2 Pin	A	B									

Poles	Dimensions (mm)			Poles	Dimensions (mm)		
	A	B	C		A	B	C
02	2.00	7.70	5.30	09	16.20	20.50	19.60
03	4.00	9.70	7.30	10	18.20	22.50	21.60
04	6.00	10.30	9.30	11	20.20	24.60	23.60
05	8.00	12.30	11.30	12	22.20	26.60	25.70
06	10.00	14.30	13.30	13	24.20	28.70	27.70
07	12.10	16.40	15.50	14	26.20	30.70	29.70
08	14.10	18.40	17.50	15	28.30	32.80	31.60

GENERAL TOLERANCE

.X ±0.30

.XX ±0.20

.XXX ±0.10

X.° ±2°

PROJECT

Yangzhengguo



东莞市国亚电子有限公司  
Dong Guan Guo Ya Connectors co., ltd.

PART NO.

3535WR-XXXX-XXXX-X

TITLE 2.00mm Crimp Style Connectors

DATE REV ECN NO. DESCRIPTION MODIFY APPROVAL

APPROVAL CHECK DRAWN DATE

Yangzhengguo Yangzhengyi Lviansheng 2016/08/26

UNIT SCALE SHEET REV NUMBER

mm 1:1 1/1 A0 A-000