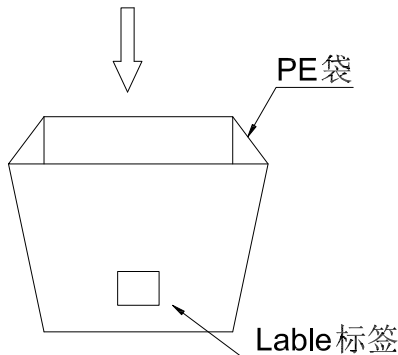
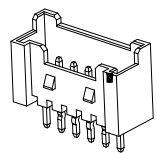


RoHS

包装图



Note注解:

1. Put Housing in a PE bag, PE bag gauge for: 240 \* 245 \* 0.10 mm, Packing detail see the table below

将 Housing放入PE袋内, PE袋规为:240\*245\*0.10mm, 详细包装见下表

2. Put PE bag packed products in specifications of 420 \* 270 \* 190 mm cartons, Packing detail see the table below

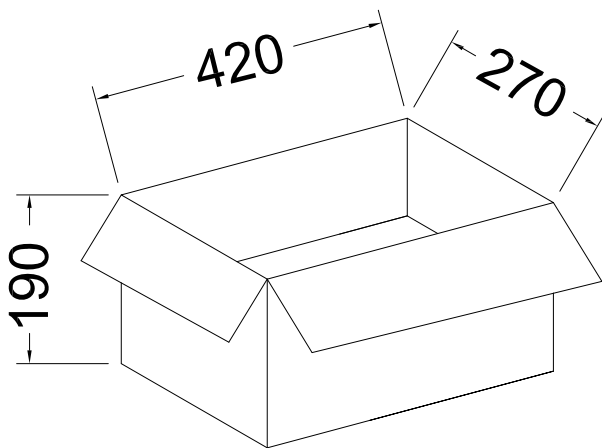
将装好产品的PE袋放入规格为420\*270\*190mm的纸箱内, 详细包装见下表

3. Label depends on customer request, carton opening joint with transparent tape

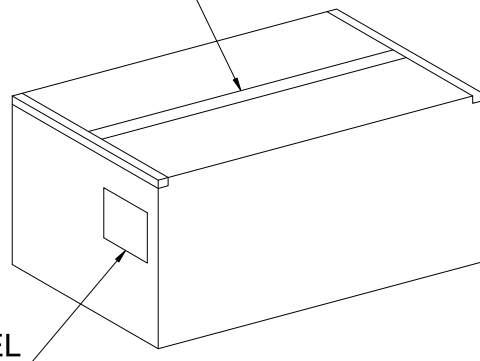
标签依客户要求而定, 纸箱开口处用透明胶带贴合.

4. Carton material: K=K, Carton thickness: 6~7mm

纸箱材质:K=K, 纸箱厚度:6~7mm



胶带ADHESIVE TAPE



标签 LABEL

Poles	Bag PCS	CARTON Bag	CARTON PCS
02	1000	20	20K
03			
04		16	16K
05		14	14K
06		12	12K
07		10	10K
08	500	16	8K
09		12	6K
10		12	6K
11		10	5K
12		10	5K
13		10	5K
14		8	4K
15		8	4K

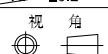
GENERAL TOLERANCE

.X ±0.35

.XX ±0.25

.XXX ±0.15

X° ±0.2°



东莞市国亚电子有限公司

Dong Guan Guo Ya Connectors co., Ltd.

PART NO.

3535H-XX-XX

TITLE:

2.00mm Terminal Packing

APPROVAL

CHECK

DRAWN

DATE

Yangzhengguo

Yangzhengyi

Lvtiansheng

2016/08/26

UNIT SCALE SHEET REV NUMBER

mm 1:1 1/1 A0 A-000

DATE

REV

ECN NO.

DESCRIPTION

MODIFY

APPROVAL

1

2

3

4

5

6

7

8

RoHS

包装图



Note注解:

1. Put Housing in a PE bag, Packing detail see the table below

将 Housing放入PE袋内, 详细包装见下表

2. Put PE bag packed products in specifications of 440 \* 295 \* 415 mm cartons, Packing detail see the table below

将装好产品的PE袋放入规格为440\*295\*415mm的纸箱内, 详细包装见下表

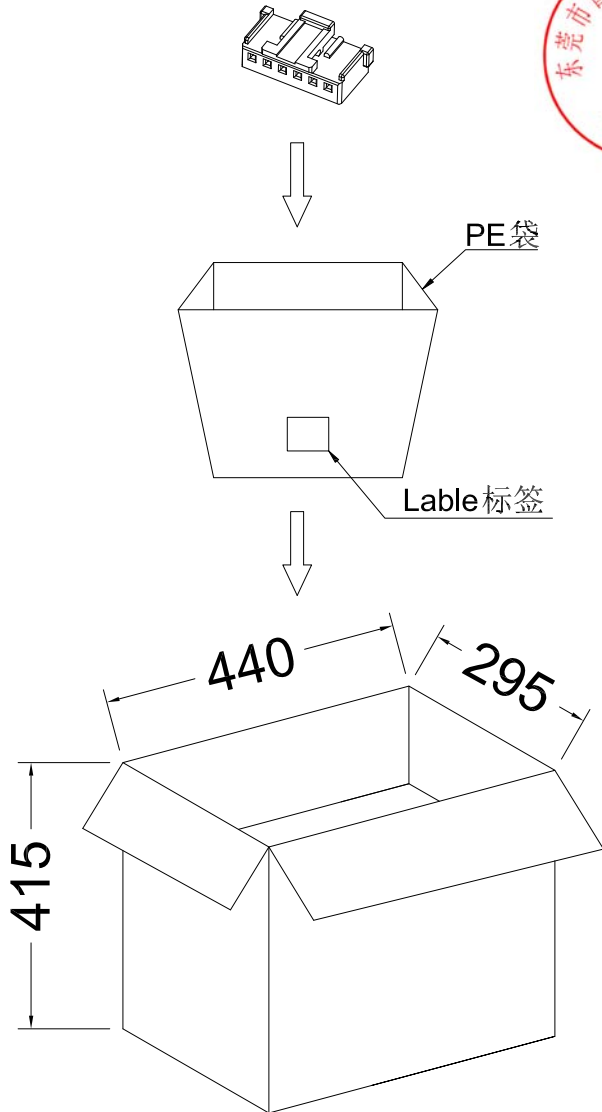
3. Label depends on customer request, carton opening joint with transparent tape

标签依客户要求而定, 纸箱开口处用透明胶带贴合.

4. Carton material: K=K, Carton thickness: 6~7mm

纸箱材质:K=K, 纸箱厚度:6~7mm

Poles	Bag PCS	CARTON Bag	CARTON PCS
02	1000	150	150K
03	1000	100	100K
04	1000	80	80K
05	1000	70	70K
06	1000	60	60K
07	1000	50	50K
08	1000	40	40K
09	1000	35	35K
10	1000	35	35K
11	1000	30	30K
12	1000	26	26K
13	1000	26	26K
14	1000	20	20K
15	1000	15	15K
16	1000	15	15K
17	1000	12	12K
18	1000	10	10K
19	1000	10	10K



胶带ADHESIVE TAPE

标签 LABEL

GENERAL TOLERANCE

.X ±0.35

.XX ±0.25

.XXX ±0.15

X° ±0.2°

视图



东莞市国亚电子有限公司

Dong Guan Guo Ya Connectors co., ltd.

PART NO.

3535H-XX-XX

TITLE:

2.00mm Terminal Packing

APPROVAL

CHECK

DRAWN

DATE

Yangzhengguo

Yangzhengyi

Lvtiansheng

2016/08/26

DATE

REV

ECN NO.

DESCRIPTION

MODIFY

APPROVAL

UNIT

SCALE

SHEET

REV

NUMBER

mm

1 : 1

1/1

A0

A-000

RoHS

包装图

Note 注解:

1.Quantity 数量:

10K PCS/REEL 一卷10K/PCS

10 REEL/BOX 一箱10卷

100K PCS/BOX 一箱100K/PCS

2.Each reel and outer box must be labeled and Eco-Label Respectively labeled

每盘和外箱都必须有标签及环保标签分别标示

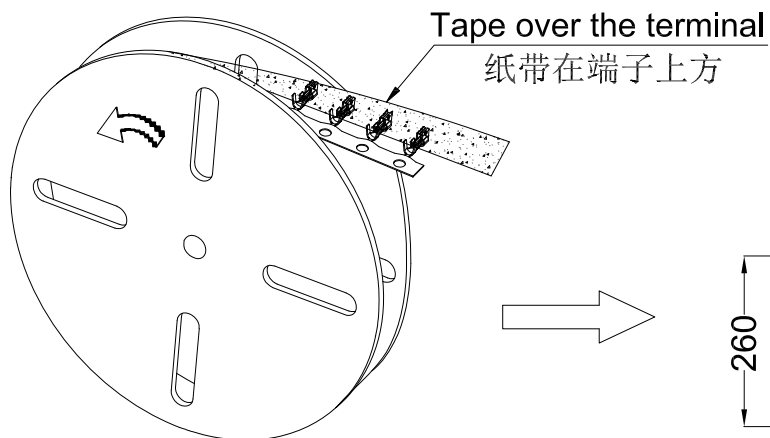
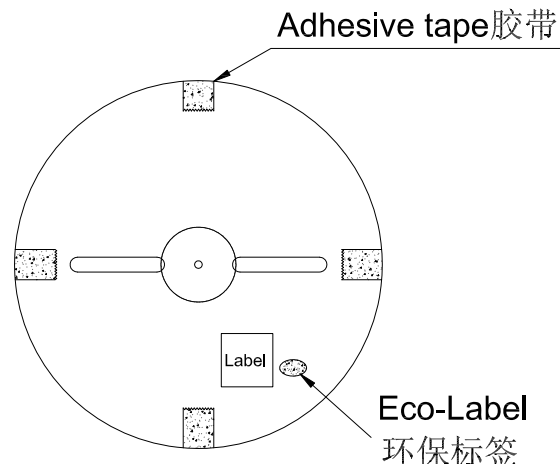
3.Terminal winding direction as shown

端子缠绕方向如左图所示

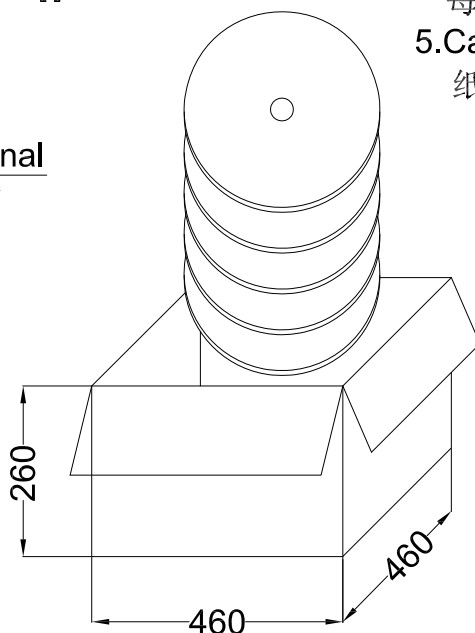
4.There shall be no dirt such as deformation phenomenon, Mantissa box fillers must be used

每箱不可有脏污, 变形现象, 尾数箱必须用填充物

5.Carton material: K=K, Carton thickness: 6~7mm  
纸箱材质:K=K, 纸箱厚度:6~7mm

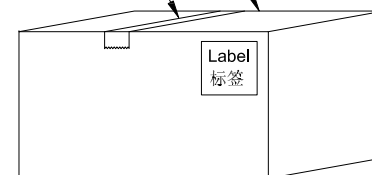


卷装方式  
Package way



Label unified on the box top right corner  
外箱标签位于右上角

Adhesive tape 胶带



GENERAL TOLERANCE

.X ±0.35

.XX ±0.25

.XXX ±0.15

X° ±0.2

视图

**GYA**  
Connectors

东莞市国亚电子有限公司  
Dong Guan Guo Ya Connectors co., Ltd.

APPROVAL

CHECK

DRAWN

DATE

Yangzhengguo

Yangzhengyi

Lvtiansheng

2016/08/26

PART NO.

3535TX-PXX

TITLE:

2.00mm Terminal Packing

UNIT

SCALE

SHEET

REV

NUMBER

mm

1 : 1

1/1

A0

A-014

DATE

REV

ECN NO.

DESCRIPTION

MODIFY

APPROVAL

1

2

3

4

5

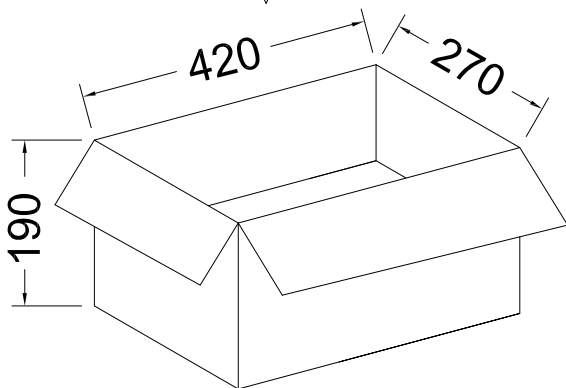
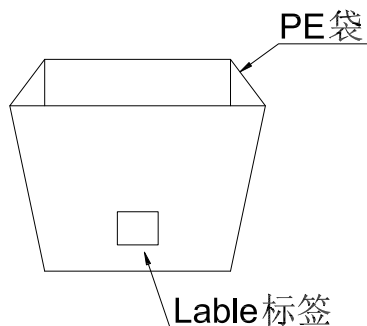
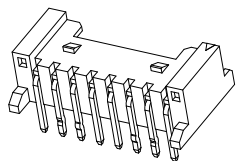
6

7

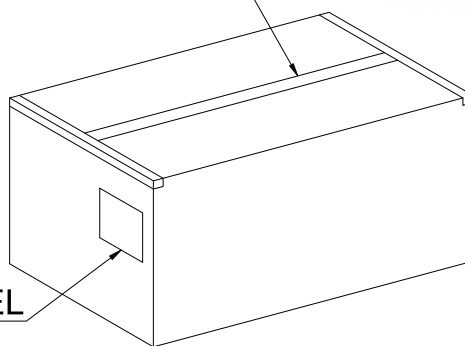
8

RoHS

包装图



胶带ADHESIVE TAPE



标签LABEL

Note注解:

1. Put Housing in a PE bag, PE bag gauge for: 240 \* 245 \* 0.10 mm, Packing detail see the table below

将 Housing放入PE袋内, PE袋规为:240\*245\*0.10mm,详细包装见下表

2. Put PE bag packed products in specifications of 420 \* 270 \* 190 mm cartons, Packing detail see the table below

将装好产品的PE袋放入规格为420\*270\*190mm的纸箱内, 详细包装见下表

3. Label depends on customer request, carton opening joint with transparent tape  
标签依客户要求而定, 纸箱开口处用透明胶带贴合.

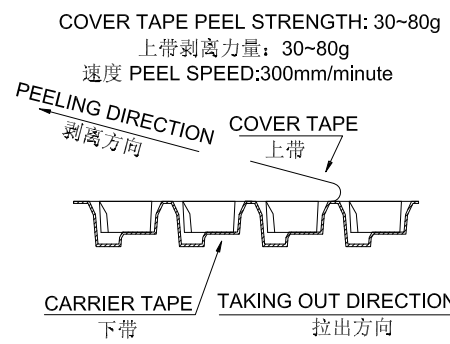
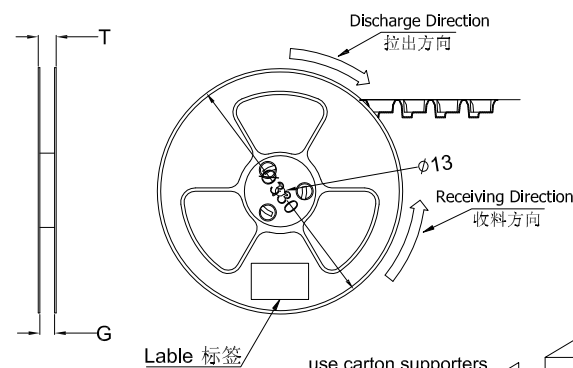
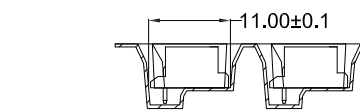
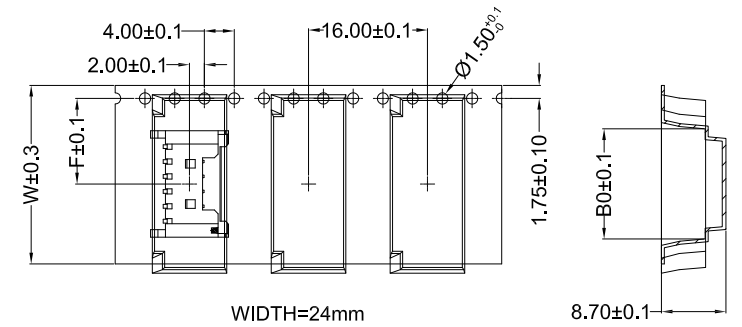
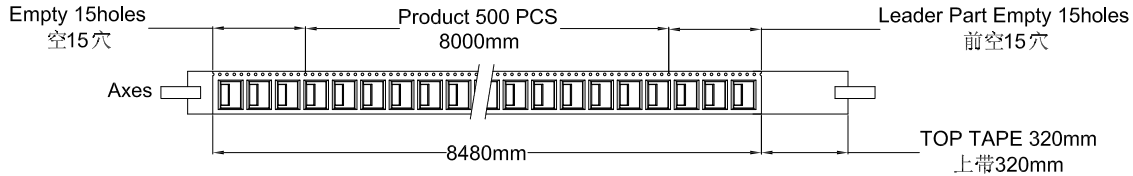
4. Carton material: K=K, Carton thickness: 6~7mm  
纸箱材质:K=K, 纸箱厚度:6~7mm



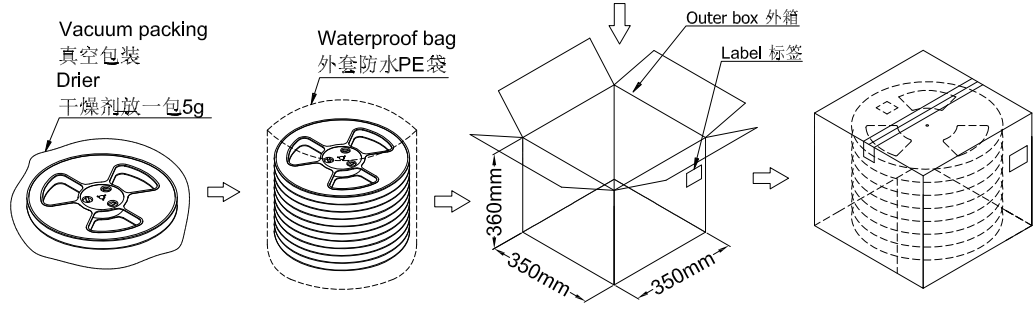
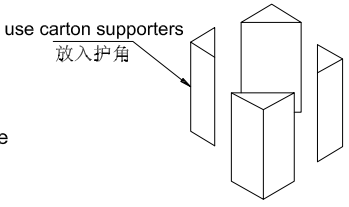
Poles	Bag PCS	CARTON Bag	CARTON PCS
02	1000	20	20K
03		18	18K
04		16	16K
05		14	14K
06		12	12K
07		10	10K
08	500	16	8K
09		12	6K
10		12	6K
11		10	5K
12		10	5K
13		10	5K
14		8	4K
15		8	4K

				GENERAL TOLERANCE .X ±0.35 .XX ±0.25 .XXX ±0.15 X° ±0.2°		<b>GYA</b> 东莞市国亚电子有限公司 Connectors Dong Guan Guo Ya Connectors co., Ltd.		PART NO. 3535WR-XX-XXXX		
				APPROVAL Yangzhengguo		CHECK Yangzhengyi		DRAWN Lviansheng		
				DATE 2016/08/26		TITLE: 2.00mm Terminal Packing				
DATE	REV	ECN NO.	DESCRIPTION	MODIFY	APPROVAL	UNIT	SCALE	SHEET	REV	NUMBER
						mm	1:1	1/1	A0	A-000

RoHS 包装图



Single hole: None Hole Side  
单孔: 贴无链孔侧  
Double hole: Elliptical Hole Side  
双孔: 贴椭圆孔侧



**Note:**

- Carrier Camber Is Within 1mm In 100mm; 带长100mm 内容许弯曲度1mm
- 10 Sprocket Hole Pitch Cumulative Tolerance±0.2MM; 圆孔十个孔距离累计允许公差为±0.2mm
- Material for PS Black; 材质为PS材质 Color颜色: Natural透明色
- bracer保护带: Color颜色:Natural透明色;厚度0.40mm最小
- Thickness=0.50±0.05; 材料厚度为0.50±0.05mm
- Cover Tape上带: 冷封上带
- Carton material纸箱材质:K=K; Carton Thickness纸箱厚度: 6~7mm

ZD3535WR-XXCHF	Carrier Tape No. 载带料号	W	S	F	T	G	Cover Tape (宽度)上带(W)	Carrier Tape(Color) 下带(颜色)	B0	REEL PCS	CARTON R	CARTON PCS
3535WR-XXC-9TSN	ZD3535WR-04CHF								10.80			
	ZD3535WR-05CHF	24	/	11.50	27.0	25.5	21.3	透明色	12.80	500	12	6000
	ZD3535WR-06CHF								14.80			

GENERAL TOLERANCE	
.X	±0.35
.XX	±0.25
.XXX	±0.15
X°	±0.2°

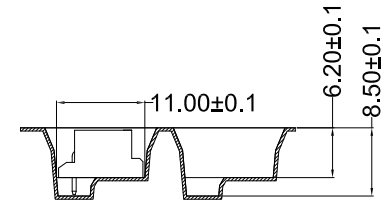
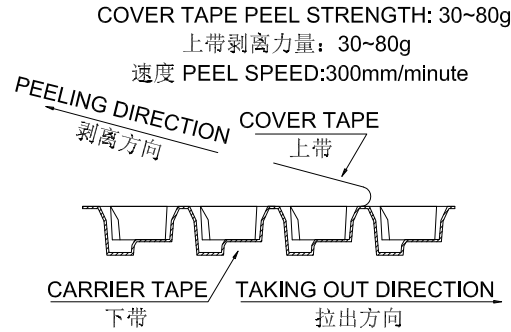
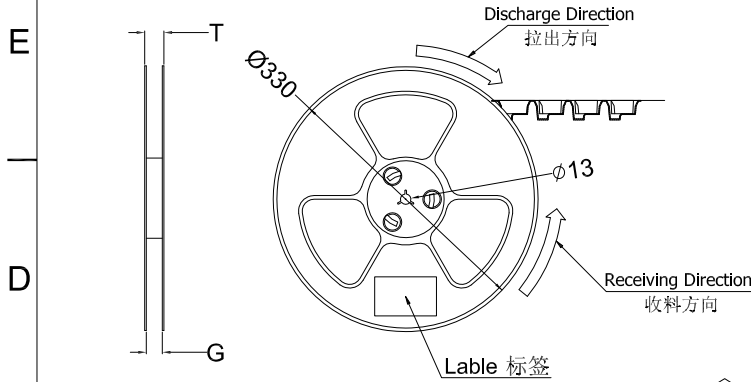
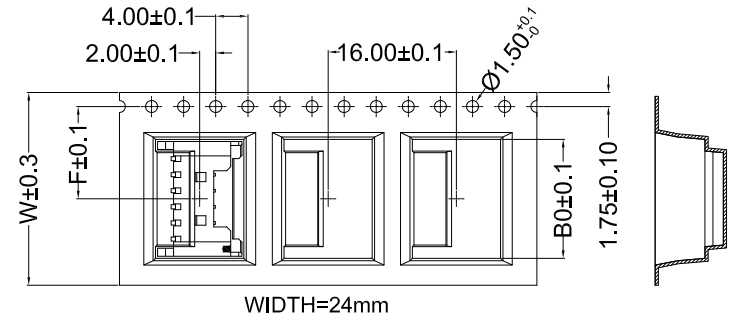
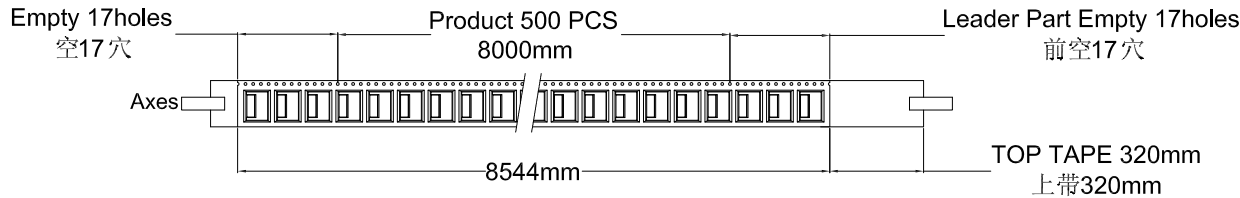
**GYA** 东莞市国亚电子有限公司  
Connectors Dong Guan Guo Ya Connectors co., ltd.

PART NO.  
PPN: 3535WR-XXC-9TSN  
CTN: ZD3535WR-XXC

TITLE:	APPROVAL	CHECK	DRAWN	DATE
2.00mm Terminal Packing	Yangzhengguo	Yangzhengyi	Lvtiansheng	2016/08/26

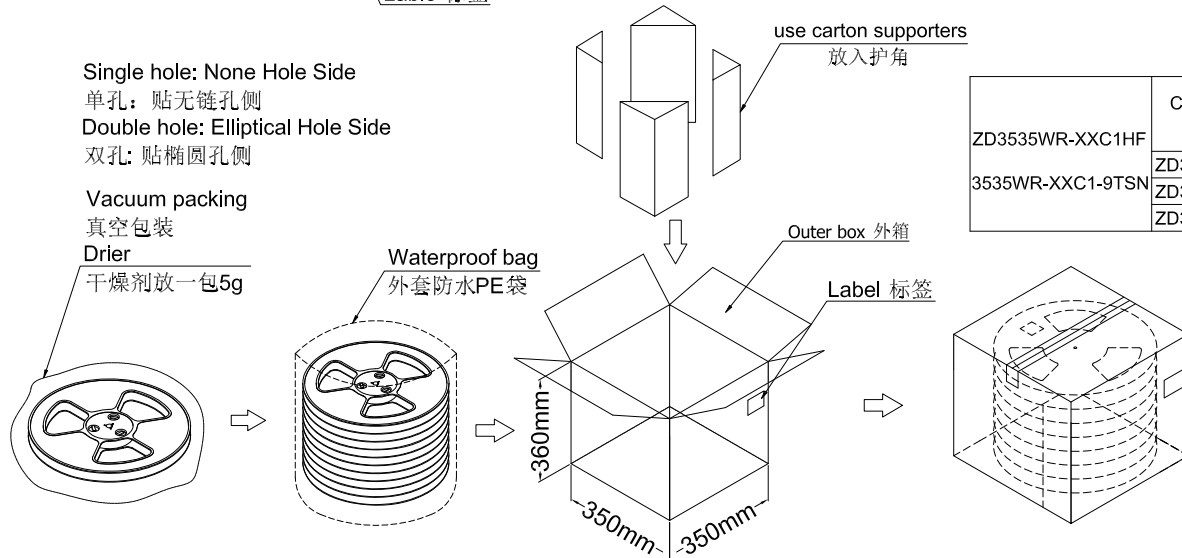
UNIT	SCALE	SHEET	REV	NUMBER
mm	1:1	1/1	A0	A-000

DATE	REV	ECN NO.	DESCRIPTION	MODIFY	APPROVAL



Single hole: None Hole Side  
单孔: 贴无链孔侧  
Double hole: Elliptical Hole Side  
双孔: 贴椭圆孔侧

Vacuum packing  
真空包装  
Drier  
干燥剂放一包5g



	Carrier Tape No. 载带料号	W	S	F	T	G	Cover Tape (宽度) 上带(W)	Carrier Tape(Color) 下带(颜色)	B0	REEL PCS	CARTON R	CARTON PCS
ZD3535WR-XXC1HF	ZD3535WR-04C1HF								10.80			
3535WR-XXC1-9TSN	ZD3535WR-05C1HF	24	/	11.50	27.0	25.5	21.3	透明色	12.80	500	12	6000
	ZD3535WR-06C1HF								14.80			

**Note:**

- Carrier Camber Is Within 1mm In 100mm ; 带长100mm 内容许弯曲度1mm
- 10 Sprocket Hole Pitch Cumulative Tolerance±0.2MM ;  
圆孔十个孔距离累计允许公差为±0.2mm
- Material for PS Black ; 材质为PS材质 Color颜色: Natural透明色
- bracer保护带; Color颜色:Natural透明色;厚度0.40mm最小
- Thickness=0.50±0.05 ; 材料厚度为0.50±0.05mm
- Cover Tape上带: 冷封上带
- Carton material纸箱材质:K=K; Carton Thickness纸箱厚度: 6~7mm

GENERAL TOLERANCE

.X	±0.35
.XX	±0.25
.XXX	±0.15
X°	±0.2°



东莞市国亚电子有限公司  
Dong Guan Guo Ya Connectors co., Ltd.

PART NO.

PPN: 3535WR-XXC1-9TSN  
CTN: ZD3535WR-XXC1HF

TITLE:

2.00mm Terminal Packing

DATE	REV	ECN NO.	DESCRIPTION	MODIFY	APPROVAL
1					
2					
3					
4					

APPROVAL	CHECK	DRAWN	DATE
Yangzhengguo	Yangzhengyi	Lvtiansheng	2016/08/26

UNIT	SCALE	SHEET	REV	NUMBER
mm	1:1	1/1	A0	A-000