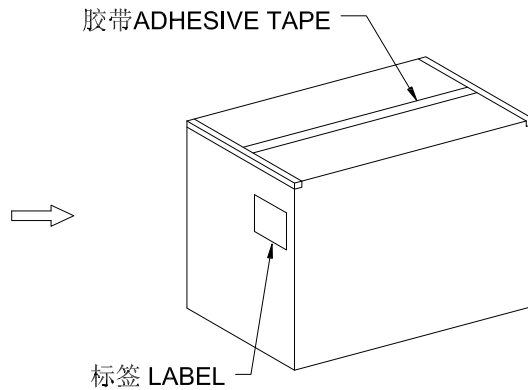
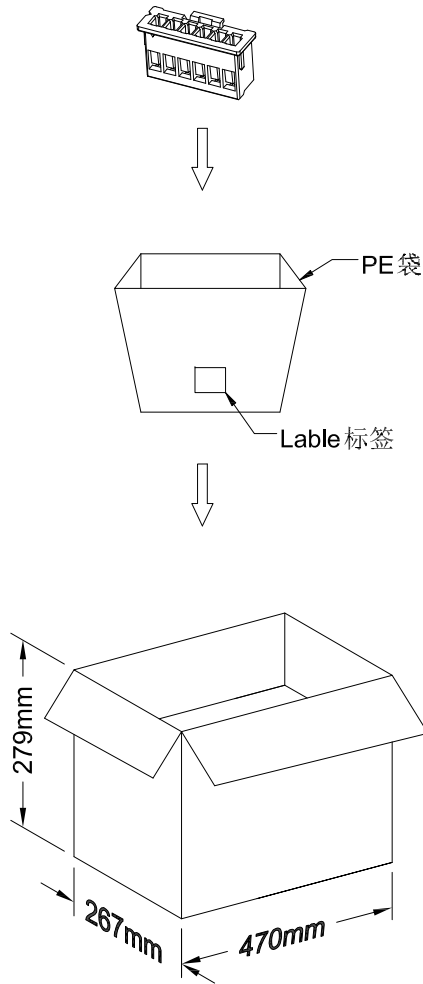




Note 注解:

1. Place Housing into PE bag and seal PE bag. Label.
将 Housing 放入PE袋内, 并将PE袋封好, 贴上标签.
2. Put PE bag packed products in cartons, Packing detail see the table below
将装好产品的PE袋放入纸箱内, 详细包装见下表
3. Label depends on customer request, carton opening joint with transparent tape
标签依客户要求而定, 纸箱开口处用透明胶带贴合.
4. There shall be no dirt such as deformation phenomenon, Mantissa box fillers must be used
每箱不可有脏污, 变形现象, 尾数箱必须用填充物
5. Carton material: K=K, Carton thickness: 6~7mm
纸箱材质:K=K, 纸箱厚度:6~7mm

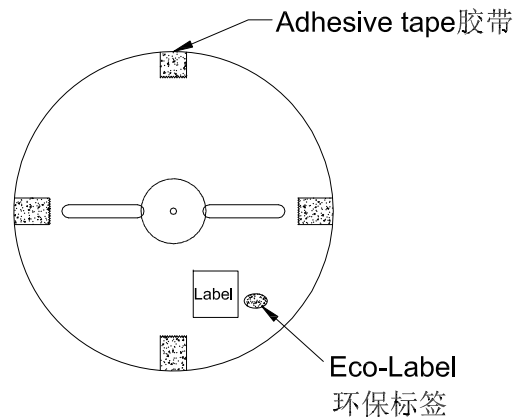


Poles	Bag PCS	CARTON Bag	CARTON PCS
2P	1000	40	40000
3P	1000	35	35000
4P	1000	30	30000
5P	1000	25	25000
6P	1000	25	25000
7P	1000	20	20000
8P	1000	20	20000
9P	1000	18	18000
10P	1000	15	15000
11P	1000	15	15000
12P	1000	12	12000
13P	1000	12	12000
14P	1000	10	10000
15P	1000	10	10000
16P	1000	10	10000

					GENERAL TOLERANCE .X ±0.35 .XX ±0.25 .XXX ±0.15 X° ±0.2°		GYA 东莞市国亚电子有限公司 Dong Guan Guo Ya Connectors co., ltd.		PART NO. 2508H-XX-N0	
					APPROVAL Yangzhengguo		CHECK Yangzhengyi		DRAWN Lviansheng	
					DATE 2016/08/26		TITLE: 2.50mm Housing Packing		UNIT SCALE SHEET REV NUMBER mm 1:1 1/1 A0 A-022	
DATE	REV	ECN NO.	DESCRIPTION	MODIFY	APPROVAL					

RoHS

包装图



Note 注解:

1.Quantity 数量:

5K PCS/REEL 一卷5K/PCS

10 REEL/BOX 一箱10卷

50K PCS/BOX 一箱50K/PCS

2.Each reel and outer box must be labeled and Eco-Label Respectively labeled

每盘和外箱都必须有标签及环保标签分别标示

3.Terminal winding direction as shown

端子缠绕方向如左图所示

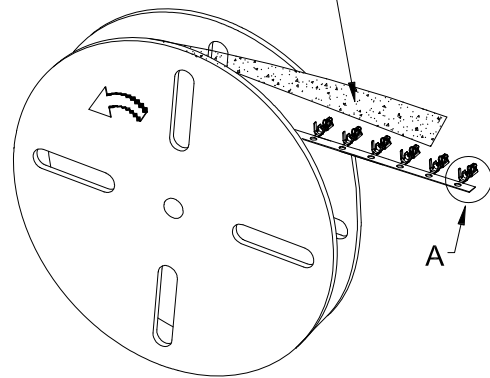
4. There shall be no dirt such as deformation phenomenon, Mantissa box fillers must be used

每箱不可有脏污,变形现象,尾数箱必须用填充物

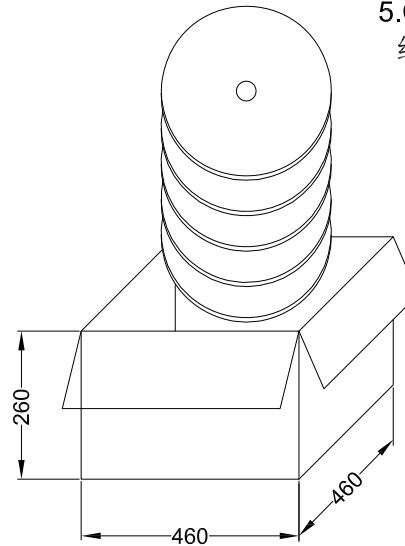
5. Carton material: K=K, Carton thickness: 6±1mm

纸箱材质:K=K, 纸箱厚度:6±1mm

Tape over the terminal
纸带在端子上方

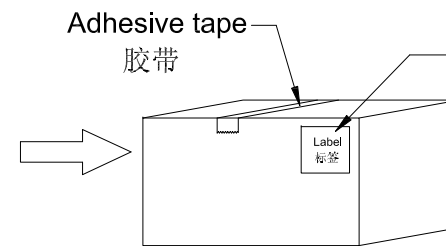


卷装方式
Package way



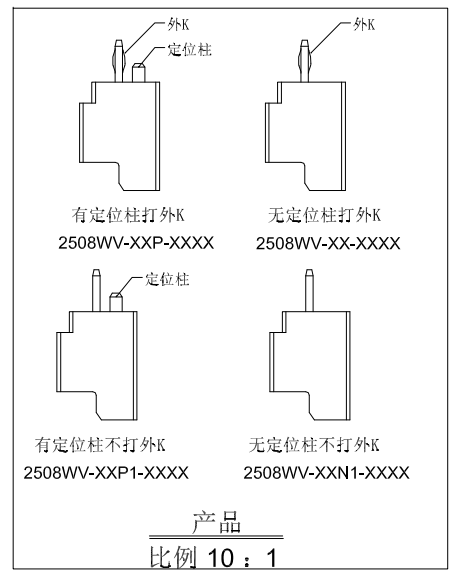
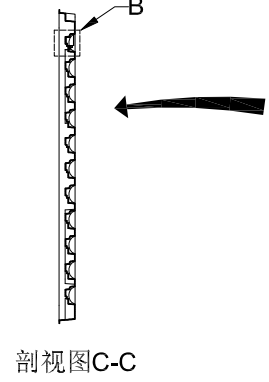
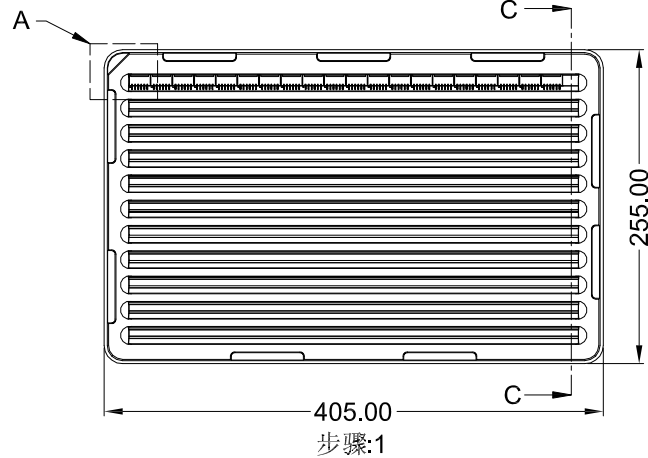
Adhesive tape
胶带

Label unified on the
box top right corner
外箱标签位于右上角

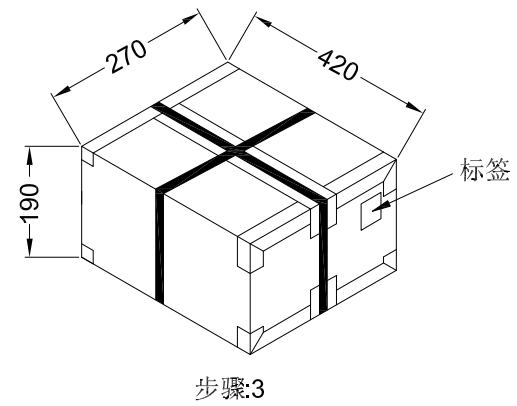
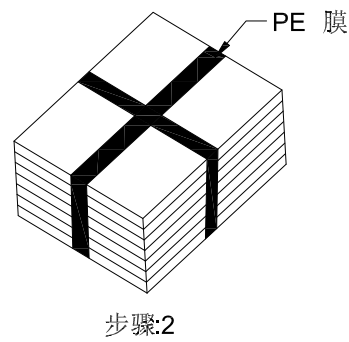
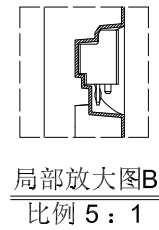
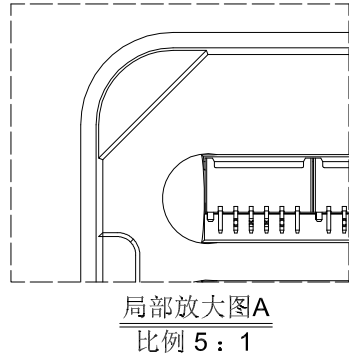


				GENERAL TOLERANCE		东莞市国亚电子有限公司 Dong Guan Guo Ya Connectors co., ltd.				PART NO. 2508T-PSN1				
				.X ±0.35						APPROVAL				TITLE: 2.50mm Terminal Packing
				.XX ±0.25		CHECK				UNIT SCALE SHEET REV NUMBER				
				.XXX ±0.15		DRAWN				mm 1:1 1/1 A0 A-000				
				X° ±0.2		DATE				2016/08/26				
DATE	REV	ECN NO.	DESCRIPTION	MODIFY	APPROVAL	Yangzhengguo	Yangzhengyi	Lvtiansheng						

1 2 3 4 5 6 7 8



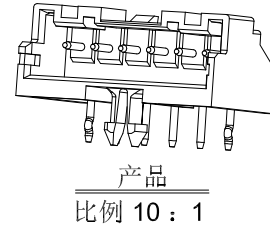
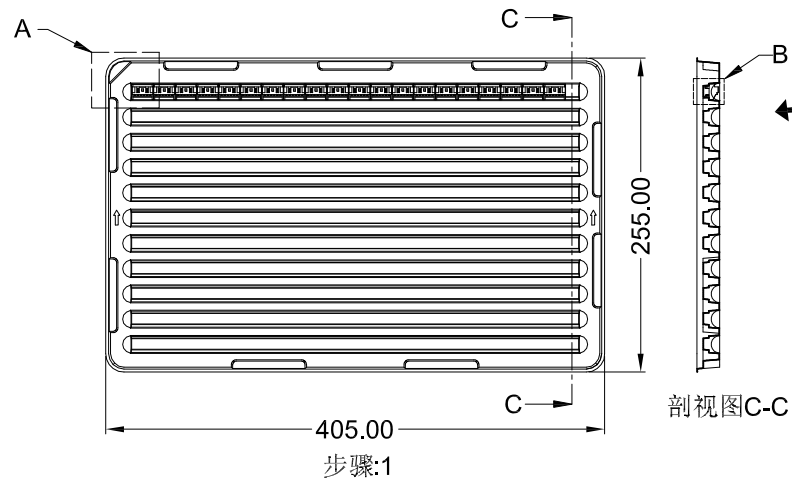
料号	盘/PCS	箱/盘	箱/PCS
2PIN	528	23	12144
3PIN	396	23	9108
4PIN	319	23	7337
5PIN	264	23	6072
6PIN	220	23	5060
7PIN	198	23	4554
8PIN	176	23	4048
9PIN	154	23	3542
10PIN	143	23	3289
11PIN	132	23	3036
12PIN	121	23	2783
13PIN	110	23	2530
14PIN	99	23	2277
15PIN	99	23	2277



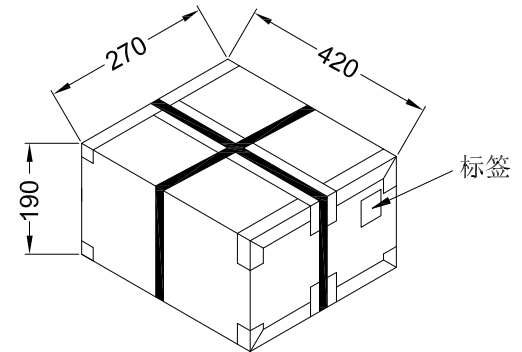
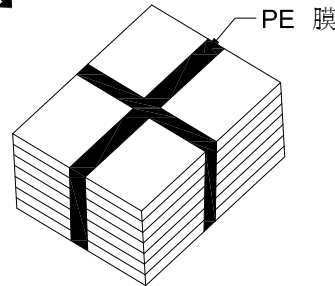
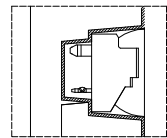
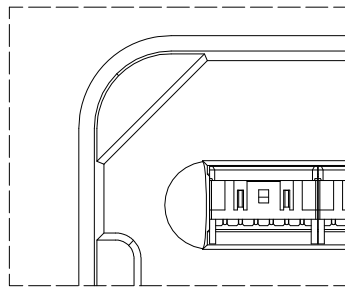
包装说明:
 步骤1: 将检验好的2508WV-XXXX-XXXXX 良品整齐摆放放入吸塑盘内。
 吸塑盘规格:405*255*13mm
 吸塑盘材质:透明PET
 吸塑盘厚度:0.50mm
 步骤2: 在重叠摆放吸塑盘时, 上下层吸塑盘方向需错开 180° 摆放,
 23盘叠起来为1扎, 最顶层再放1PCS 空吸塑盘当上用, 然后用PE膜扎住。
 步骤3: 一纸箱放1扎,共23盘, 然后用透明胶带封箱。纸箱规格: 420*270*190 mm。
 纸箱材质:K=K, 纸箱厚度:6±1mm



GENERAL TOLERANCE					G YA 东莞市国亚电子有限公司 Dong Guan Guo Ya Connectors co., Ltd.	PART NO.								
DATE	REV	ECN NO.	DESCRIPTION	MODIFY		APPROVAL	CHECK	DRAWN	DATE	2508WV-XXXX-XXXXT				
										TITLE: 2.50 mm Crimp Style Connector Packing				
										UNIT	SCALE	SHEET	REV	NUMBER
										mm	1:1	1/1	A0	A-000



料号	盘/PCS	箱/盘	箱/PCS
2PIN	528	11	5808
3PIN	396	11	4356
4PIN	319	11	3509
5PIN	264	11	2904
6PIN	220	11	2420
7PIN	198	11	2178
8PIN	176	11	1936
9PIN	154	11	1694
10PIN	143	11	1573
11PIN	132	11	1452
12PIN	121	11	1331
13PIN	110	11	1210
14PIN	99	11	1089
15PIN	99	11	1089



包装说明:

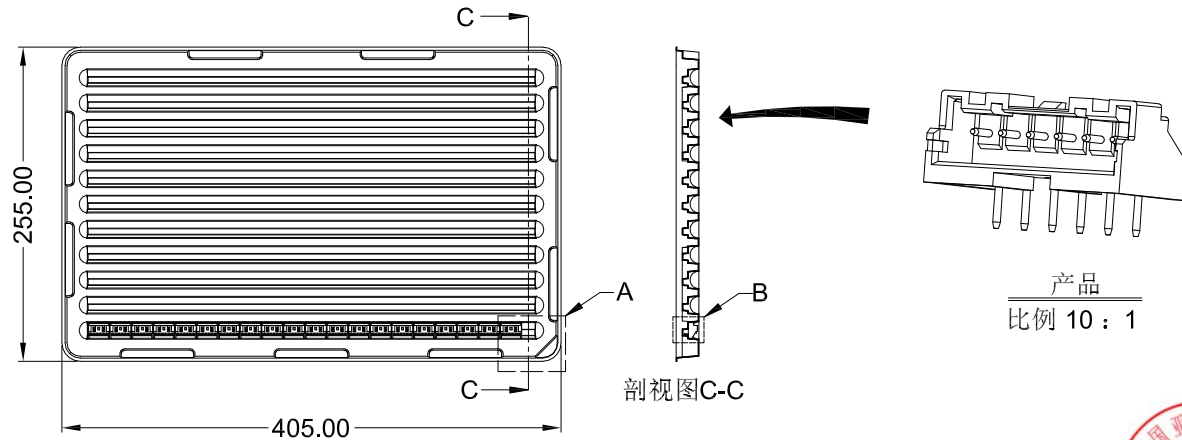
- 步骤1: 将检验好的2508WR-XXS-XXXXX 良品整齐摆放入吸塑盘内。
吸塑盘规格:405*255*18.5mm
吸塑盘材质:透明PET
吸塑盘厚度:0.50mm
- 步骤2: 在重叠摆放吸塑盘时, 上下层吸塑盘方向需错开 180° 摆放,
11盘叠起来为1扎, 最顶层再放1PCS 空吸塑盘当上盖用, 然后用PE膜扎住。
- 步骤3: 一纸箱放1扎, 共11盘, 然后用透明胶带封箱。纸箱规格: 420*270*190 mm。
纸箱材质:K=K, 纸箱厚度:6±1mm



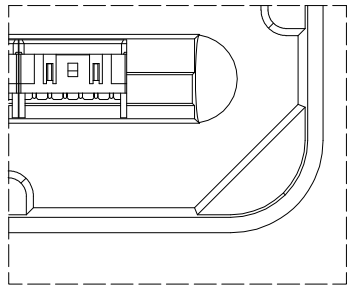
GENERAL TOLERANCE					G YA 东莞市国亚电子有限公司 Dong Guan Guo Ya Connectors co., Ltd.	PART NO. 2508WR-XXS-XXXXT							
DATE	REV	ECN NO.	DESCRIPTION	MODIFY		APPROVAL	CHECK	DRAWN	DATE	TITLE: 2.50 mm Crimp Style Connector Packing			
					Yangzhengguo	Yangzhengyi	Lvtiansheng	2016/08/26	UNIT: mm	SCALE: 1:1	SHEET: 1/1	REV: A0	NUMBER: A-000

RoHS

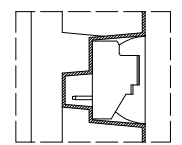
包装图



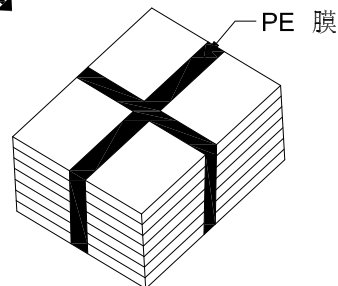
料号	盘/PCS	箱/盘	箱/PCS
2PIN	528	11	5808
3PIN	396	11	4356
4PIN	319	11	3509
5PIN	264	11	2904
6PIN	220	11	2420
7PIN	198	11	2178
8PIN	176	11	1936
9PIN	154	11	1694
10PIN	143	11	1573
11PIN	132	11	1452
12PIN	121	11	1331
13PIN	110	11	1210
14PIN	99	11	1089
15PIN	99	11	1089



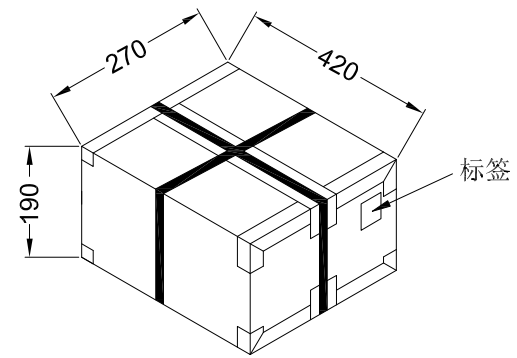
局部放大图A
比例 5:1



局部放大图B
比例 5:1



步骤:2



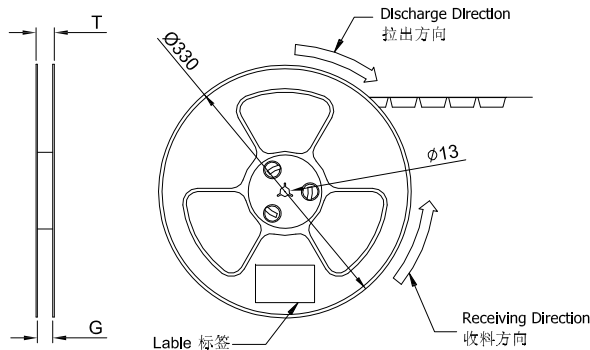
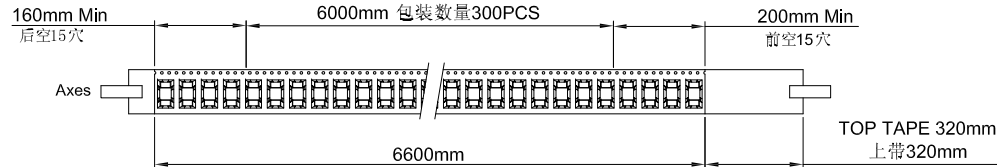
步骤:3

包装说明:

- 步骤1: 将检验好的2508WR-XXN-XXXXX 良品整齐摆放入吸塑盘内。
吸塑盘规格:405*255*18.5mm
吸塑盘材质:透明PET
吸塑盘厚度:0.50mm
- 步骤2: 在重叠摆放吸塑盘时, 上下层吸塑盘方向需错开180° 摆放,
11盘叠起来为1扎, 最顶层再放1PCS 空吸塑盘当上盖用, 然后用PE膜扎住。
- 步骤3: 一纸箱放1扎, 共11盘, 然后用透明胶带封箱。纸箱规格: 420*270*190 mm。
纸箱材质:K=K, 纸箱厚度:6±1mm

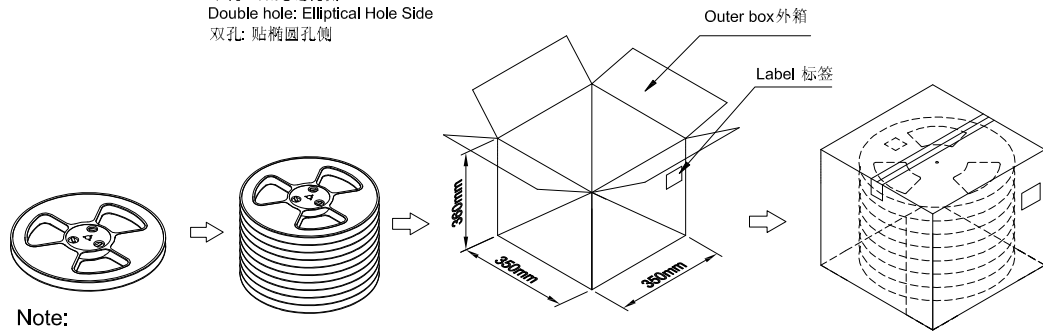
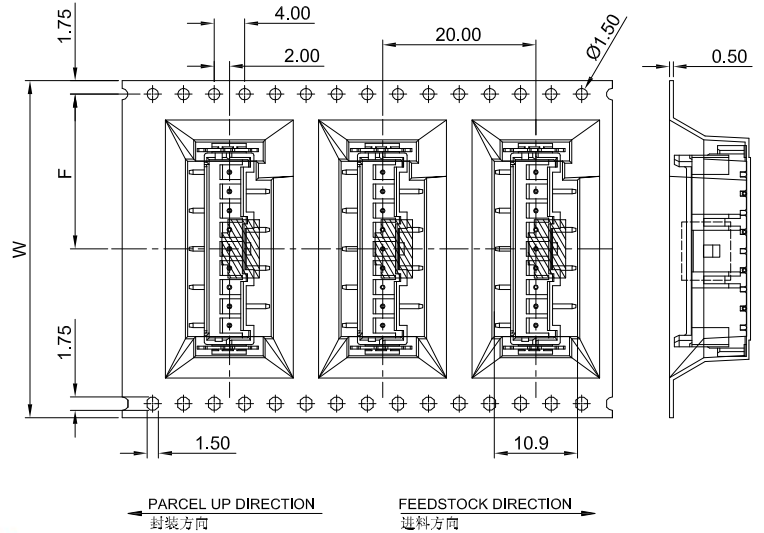
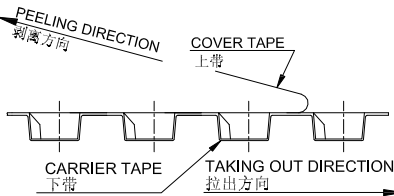
GENERAL TOLERANCE						APPROVAL				PART NO.				
.X ±0.35						东莞市国亚电子有限公司 Dong Guan Guo Ya Connectors co., Ltd.				2508WR-XXN-XXXXT				
.XX ±0.25										TITLE:				
.XXX ±0.15										2.50 mm Crimp Style Connector Packing				
X° ±0.2°										UNIT SCALE SHEET REV NUMBER				
DATE	REV	ECN NO.	DESCRIPTION	MODIFY	APPROVAL	Yangzhengguo	Yangzhengyi	Lvtiansheng	2016/08/26	mm	1:1	1/1	A0	A-000

RoHS 包装图



Lable 标签
Single hole: None Hole Side
单孔: 贴无链孔侧
Double hole: Elliptical Hole Side
双孔: 贴椭圆孔侧

COVER TAPE PEEL STRENGTH:20~120g
剥离力量20~120g
速度 PEEL SPEED:300mm/minute



Note:

- Carrier Camber Is Within 1mm In 100mm; 带长100mm 内容许弯曲度1mm
- 10 Sprocket Hole Pitch Cumulative Tolerance±0.2MM; 圆孔十个孔距离累计允许公差为±0.2mm
- Carrier tape Materal for PS; 下带材质为PS材质; Color颜色: Natural透明色
- Bracer保护带: Color颜色: Natural透明色; 厚度0.40mm最小
- Thickness=0.50±0.05; 材料厚度为 0.50±0.05mm
- Carton material纸箱材质:K; Carton Thickness 纸箱厚度: 6±1mm

Carrier Tape No. 载带料号	W	S	F	T	G	Cover Tape(W) 上带(宽)mm	Carrier Tape(Color) 下带(颜色)	REEL /PCS	CARTON /R	CARTON /PCS
ZD2508WVS-02HF	24	-	11.5	28.50	24.50	21.3	透明色	300	12R	3600
ZD2508WVS-03HF	32	28.4	14.2	36.50	32.50	25.5		300	9R	2700
ZD2508WVS-04HF										
ZD2508WVS-05HF										
ZD2508WVS-06HF										
ZD2508WVS-07HF	44	40.4	20.2	48.50	44.50	37.5		300	7R	2100
ZD2508WVS-08HF										
ZD2508WVS-09HF										
ZD2508WVS-10HF										
ZD2508WVS-11HF										
ZD2508WVS-12HF										
ZD2508WVS-13HF	56	52.4	26.2	60.50	56.50	49.5	300	5R	1500	
ZD2508WVS-14HF										

DATE	REV	ECN NO.	DESCRIPTION	MODIFY	APPROVAL
1	2	3	4	5	6

GENERAL TOLERANCE	
.X	±0.30
.XX	±0.20
.XXX	±0.10
X°	±0.2°

GYA 东莞市国亚电子有限公司
Dong Guan Guo Ya Connectors co., ltd.

APPROVAL	CHECK	DRAWN	DATE
Yangzhengguo	Yangzhengyi	Lvtiansheng	2016/08/26

PART NO.				
PPN:2508WVS-XX-9T5WR CTN: ZD2508WVS-XXHF				
TITLE:				
Pitch 2.50 mm 180° STM Wafer Connectors Packing				
UNIT	SCALE	SHEET	REV	NUMBER
mm	1:1	1/1	A0	A-205