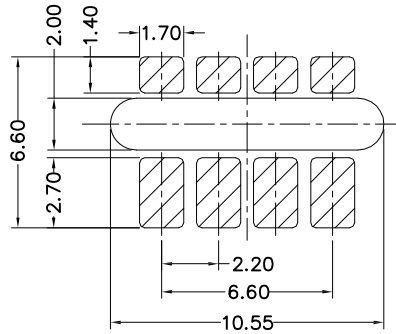
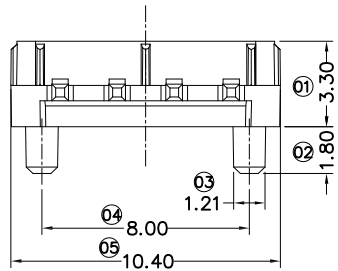
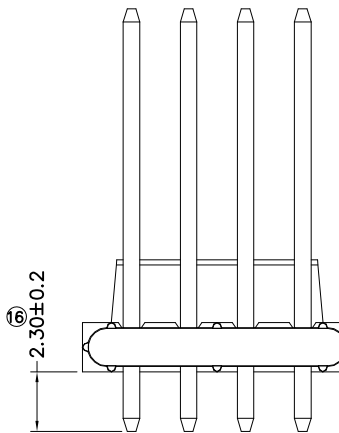
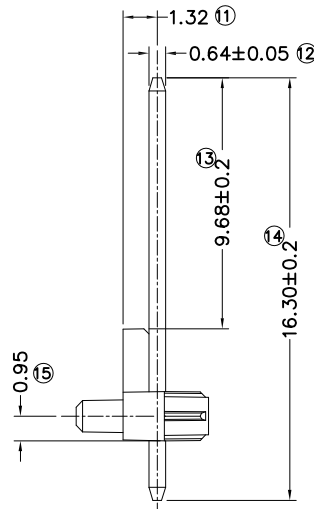
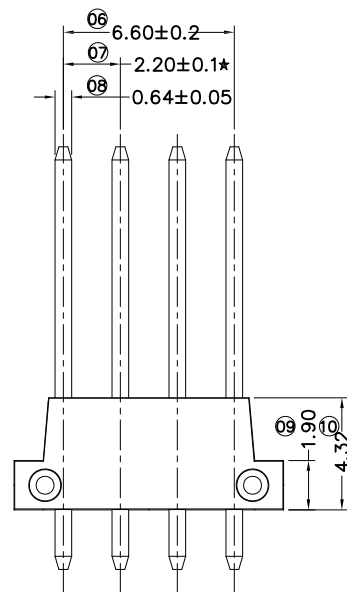
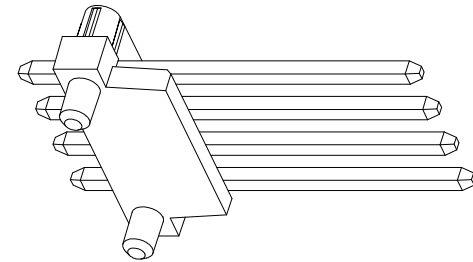


RoHS



RECOMMENDED P.C.B LAYOUT  
(TOLERANCE: ±0.05)



■ Specifications :

- Voltage rating: 250V AC / DC
- Current rating: 2A AC / DC
- Withstanding voltage: 500V AC/minute
- Insulation resistance: ≥1000MΩ
- Contact resistance: ≤20mΩ
- After environmental testing: ≤30mΩ
- Temperature range: -40° ~ +105°
- "\*" Critical dimension

2200W V X -1x04-9TB B 05R R 001Q  
① ②③④ ⑤ ⑥ ⑦⑧ ⑨ ⑩⑪ ⑫ ⑬

- ① Series No.
- ② Category : W-wafer
- ③ Welding Board Angle : V- Straight 180°
- ④ Welding form: Blank-DIP
- ⑤ Row No.-Pin No.: 1x04-Single Row 1x04Pin.
- ⑥ Plastic material: 9T- PA9T 94V-0
- ⑦ Color : B-Black
- ⑧ Metal material: B- Brass
- ⑨ Plating Category: 05-Matte Tin
- ⑩ Packag: R-Reel
- ⑪ Green code R-RoHS
- ⑫ Water code : 001
- ⑬ Special code: Q-Automotive Connector

DATE	REV	ECN NO	DESCRIPTION	MODIFY	APPROVAL
1					
2					
3					
4					

GENERAL TOLERANCE	
.X	±0.30
.XX	±0.20
.XXX	±0.10
X.*	±2°
PROJECT	

东莞市国亚电子有限公司 Connectors Dong Guan Guo Ya Connectors co., ltd.			
APPROVAL	CHECK	DRAWN	DATE
Yangzhengguo	Yangzhengyi	Lvtiansheng	2016/08/26

PARTNO.				
2200WV-1x04-9TB05RR001Q				
TITLE				
2.20 mm Pin Header connectors				
UNIT	SCALE	SHEET	REV	NUMBER
mm	1:1	1/1	A0	A-000