

Note注解:

- Put Housing in a PE bag, Packing detail see the table below
将 Housing放入PE袋内, 详细包装见下表
- Put PE bag packed products in specifications of 440 * 295 * 415 mm cartons, Packing detail see the table below
将装好产品的PE袋放入规格为440*295*415mm的纸箱内, 详细包装见下表
- Label depends on customer request, carton opening joint with transparent tape
标签依客户要求而定, 纸箱开口处用透明胶带贴合.
- Carton material: K=K, Carton thickness: 6~7mm
纸箱材质:K=K, 纸箱厚度:6~7mm



Pin位	袋/PCS	箱/袋	箱/PCS
2*02	1000	90	90K
2*03	1000	68	68K
2*04	1000	45	45K
2*05	1000	38	38K
2*06	1000	27	27K
2*07	1000	22	22K
2*08	1000	21	21K
2*09	1000	20	20K
2*10	1000	18	18K
2*11	1000	16	16K
2*12	1000	15	15K

GENERAL TOLERANCE

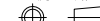
.X ±0.35

.XX ±0.25

.XXX ±0.15

X° ±0.2°

视图



东莞市国亚电子有限公司
Dong Guan Guo Ya Connectors co., ltd.

APPROVAL

CHECK

DRAWN

DATE

Yangzhengguo

Yangzhengyi

Lvtiansheng

2016/08/26

PART NO.

2026H-2*XXD-XXXX

TITLE:

2.00mm Housing Packing

UNIT	SCALE	SHEET	REV	NUMBER
------	-------	-------	-----	--------

mm	1:1	1/1	A0	A-022
----	-----	-----	----	-------

DATE

REV

ECN NO.

DESCRIPTION

MODIFY

APPROVAL

1

2

3

4

5

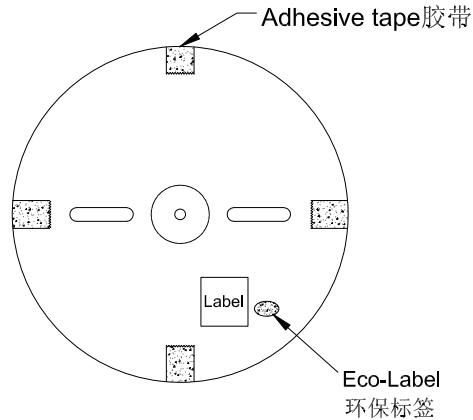
6

7

8

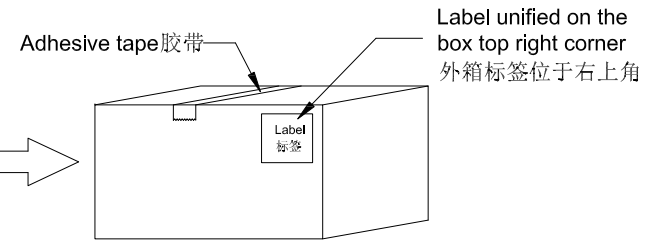
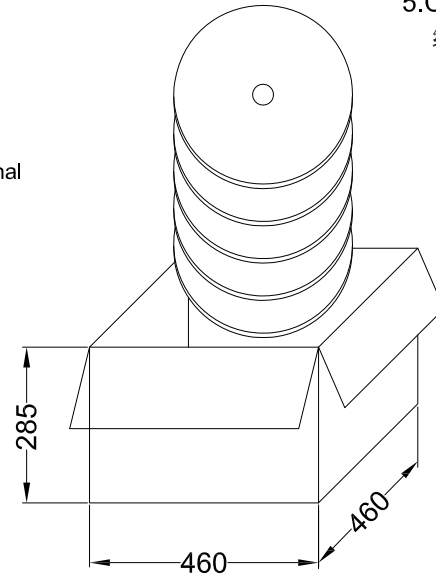
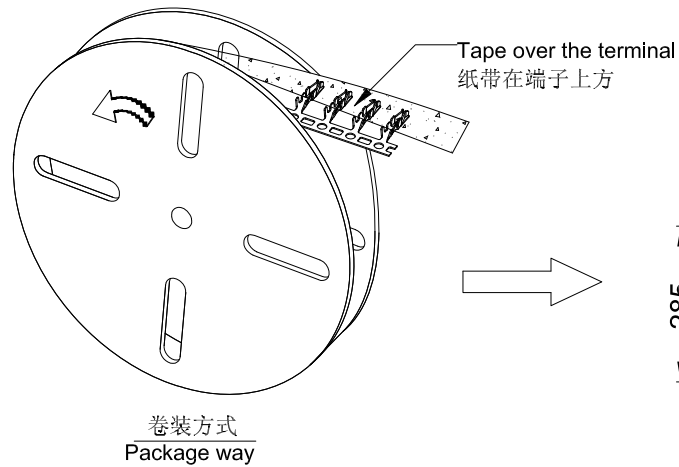
RoHS

包装图



Note 注解:

- Quantity 数量:
10K PCS/REEL 一卷10K/PCS
10 REEL/BOX 一箱10卷
100K PCS/BOX 一箱100K/PCS
- Each reel and outer box must be labeled and Eco-Label Respectively labeled
每盘和外箱都必须有标签及环保标签分别标示
- Terminal winding direction as shown
端子缠绕方向如左图所示
- There shall be no dirt such as deformation phenomenon, Mantissa box fillers must be used
每箱不可有脏污, 变形现象, 尾数箱必须用填充物
- Carton material: K=K, Carton thickness: 6~7mm
纸箱材质:K=K, 纸箱厚度:6~7mm



GENERAL TOLERANCE

.X ±0.35

.XX ±0.25

.XXX ±0.15

X° ±0.2°

视图

GYA
Connectors

东莞市国亚电子有限公司
Dong Guan Guo Ya Connectors co., ltd.

APPROVAL

CHECK

DRAWN

DATE

Yangzhengguo

Yangzhengyi

Lvtiansheng

2016/08/26

PART NO.

2026T-PXX-DX

TITLE:

2.00mm Terminal Packing

UNIT

SCALE

SHEET

REV

NUMBER

mm

1:1

1/1

A0

A-022

DATE

REV

ECN NO.

DESCRIPTION

MODIFY

APPROVAL

1

2

3

4

5

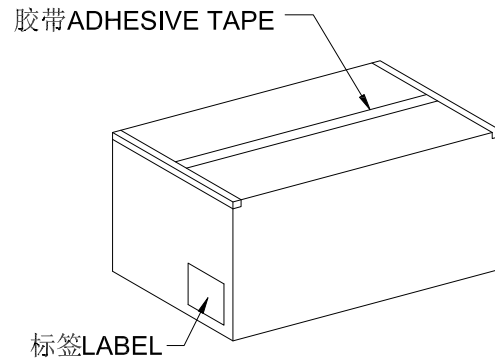
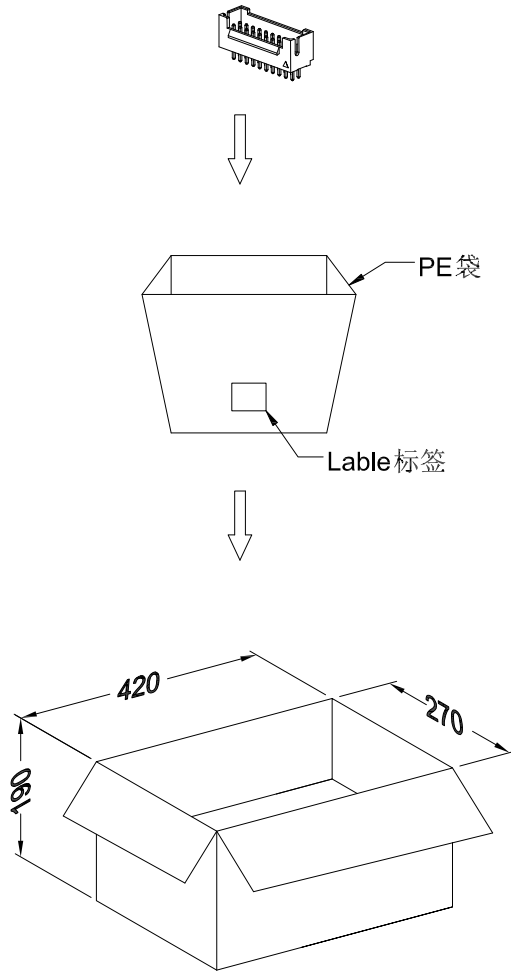
6

7

8

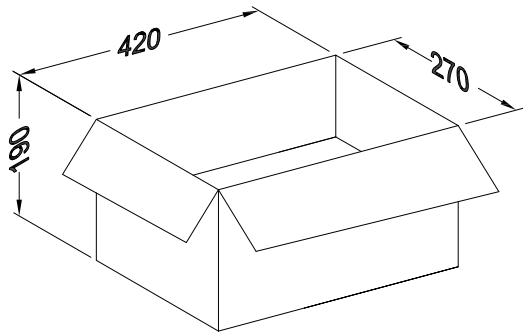
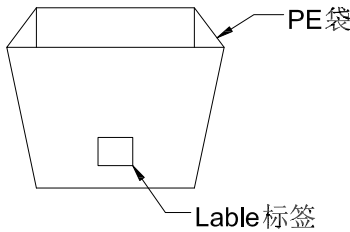
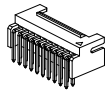
Note注解:

- Put Housing in a PE bag, PE bag gauge for: 130 * 135 * 0.10 mm, Packing detail see the table below
将 Housing放入PE袋内, PE袋规为:130*135*0.10mm, 详细包装见下表
- Put PE bag packed products in specifications of 420*270*190 mm cartons, Packing detail see the table below
将装好产品的PE袋放入规格为420*270*190mm的纸箱内, 详细包装见下表
- Label depends on customer request, carton opening joint with transparent tape
标签依客户要求而定, 纸箱开口处用透明胶带贴合.
- Carton material 纸箱材质:K=K; Carton Thickness 纸箱厚度: 6~7mm



Pin位	袋/PCS	箱/袋	箱/PCS
2*02	1000	15	15K
2*03			
2*04			
2*05			
2*06	1000	11	11K
2*07	500	22	11K
2*08	500	10	5K
2*09			
2*10			
2*11	300	10	3K
2*12			
2*13			
2*14			
2*15	200	15	3K
2*16			
2*17			
2*18			
2*19			
2*20			
2*21			
2*22			

					GENERAL TOLERANCE .X ±0.35 .XX ±0.25 .XXX ±0.15 X° ±0.2°		GYA 东莞市国亚电子有限公司 Connectors Dong Guan Guo Ya Connectors co., ltd.		PART NO. 2026WV-2*XXD-XXXX			
					APPROVAL Yangzhengguo		CHECK Yangzhengyi		DRAWN Lviansheng		DATE 2016/08/26	
					视图 				TITLE: 2.0mm Connectors 90° Packing			
DATE	REV	ECN NO.	DESCRIPTION	MODIFY	APPROVAL	UNIT	SCALE	SHEET	REV	NUMBER		
						mm	1:1	1/1	A0	A-022		

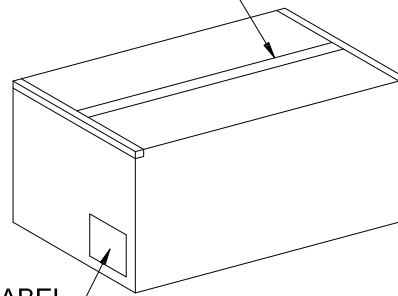


Note注解:

- Put Housing in a PE bag, PE bag gauge for: 130 * 135 * 0.08 mm, Packing detail see the table below
将 Housing放入PE袋内, PE袋规为:130*135*0.08mm, 详细包装见下表
- Put PE bag packed products in specifications of 420*270*190 mm cartons, Packing detail see the table below
将装好产品的PE袋放入规格为420*270*190mm的纸箱内, 详细包装见下表
- Label depends on customer request, carton opening joint with transparent tape
标签依客户要求而定, 纸箱开口处用透明胶带贴合.
- Carton material 纸箱材质:K=K; Carton Thickness 纸箱厚度: 6~7mm



胶带ADHESIVE TAPE



标签 LABEL

Pin位	袋/PCS	箱/袋	箱/PCS
2*02	1000	16	16K
2*03	1000	15	15K
2*04			
2*05	500	15	7.5K
2*06			
2*07			
2*08	500	10	5K
2*09			
2*10	300	10	3K
△ 2*11	200	15	3K
△ 2*12			
2*13			
2*14			
2*15			
2*16			
2*17			
2*18			
2*19			
2*20			
2*21			
2*22			

GENERAL TOLERANCE

.X	±0.35
.XX	±0.25
.XXX	±0.15
X°	±0.2°



东莞市国亚电子有限公司
Dong Guan Guo Ya Connectors co., Ltd.

PART NO.
2026WR-2*XXD-XXXX

TITLE:
2.00mm Wafer Packing

APPROVAL CHECK DRAWN DATE

Yangzhengguo Yangzhengyi Lviansheng 2016/08/26

UNIT	SCALE	SHEET	REV	NUMBER
mm	1:1	1/1	A0	A-022

DATE	REV	ECN NO.	DESCRIPTION	MODIFY	APPROVAL

