

RoHS

■ Specifications :

- Voltage rating: 250V AC / DC
- Current rating: 3A AC / DC
- Withstanding voltage: 1000V AC/minute
- Temperature range: -40° ~+105°
- Insulation resistance: ≥1000MΩ
- Contact resistance: ≤30mΩ
- After environmental testing: ≤50mΩ
- Suitable GYA Terminal : 2026T-PXXX-DXX
- Suitable GYA Wafer : 2026WXX-2*XXDX-XXXX

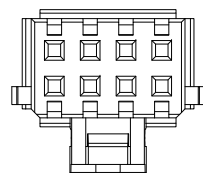
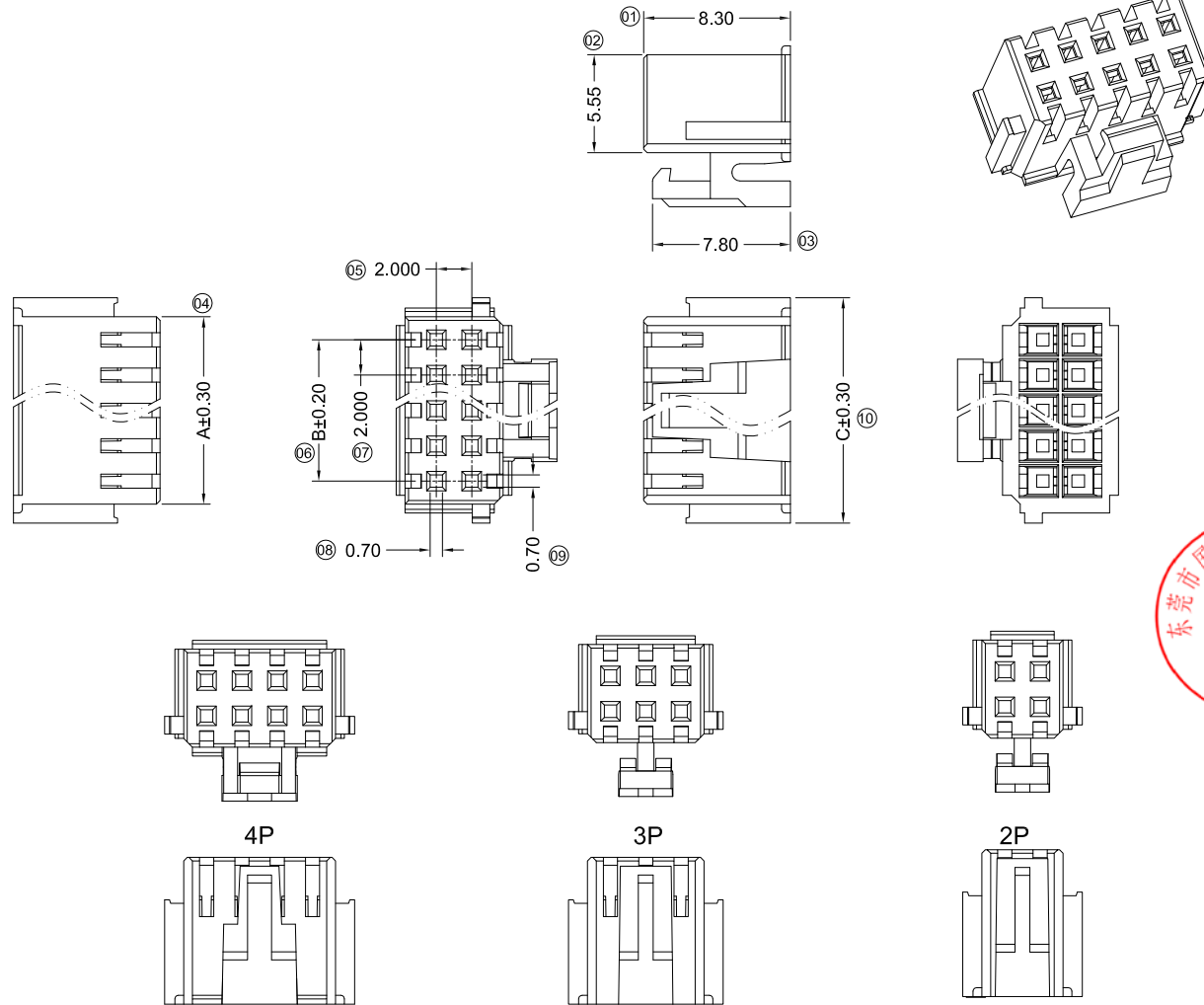
2026 H X-2*XX D-N0 XX X

① ② ③ ④ ⑤ ⑥ ⑦ ⑧

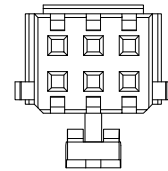
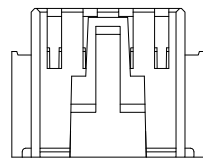
- ① Series No.
- ② Category: H-HSG
- ③ Appearance Type : Blank-Ordinary
- ④ Row No.-Pin No. : 2*XX-2*02P~2*20P
- ⑤ Special No. : D-With lock in the middle
- ⑥ Material: N0-PA66 94V-0
- ⑦ Color: Blank-Natural Color
- △⑧ Special Code: Blank-Other Connectors
Q-Automotive Connectors



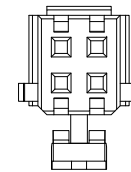
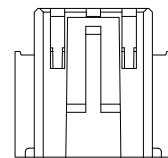
Poles	Dimensions(mm)			Poles	Dimensions(mm)		
	A	B	C		A	B	C
2*02	4.60	2.00	6.76	2*12	24.60	22.00	26.76
2*03	6.60	4.00	8.76	2*13	26.60	24.00	28.76
2*04	8.60	6.00	10.76	2*14	28.60	26.00	30.76
2*05	10.60	8.00	12.76	2*15	30.60	28.00	32.76
2*06	12.60	10.00	14.76	2*16	32.60	30.00	34.76
2*07	14.60	12.00	16.76	2*17	34.60	32.00	36.76
2*08	16.60	14.00	18.76	2*18	36.60	34.00	38.76
2*09	18.60	16.00	20.76	2*19	38.60	36.00	40.76
2*10	20.60	18.00	22.76	2*20	40.60	38.00	42.76
2*11	22.60	20.00	24.76				



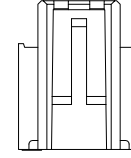
4P



3P



2P



GENERAL TOLERANCE

.X ±0.30

.XX ±0.20

.XXX ±0.10

X.° ±2°

PROJECT



东莞市国亚电子有限公司
Dong Guan Guo Ya Connectors co., ltd.

APPROVAL

Yangzhengguo

CHECK

Yangzhengyi

DRAWN

Lvtiansheng

DATE

2016/08/26

PART NO.

2026H-2*XXD-N0XXX

TITLE

2.00mm Crimp Style Connectors

UNIT

mm

SCALE

1:1

SHEET

1/1

REV

A0

NUMBER

A-000

DATE

1

REV

2

ECN NO.

3

DESCRIPTION

MODIFY

4

APPROVAL

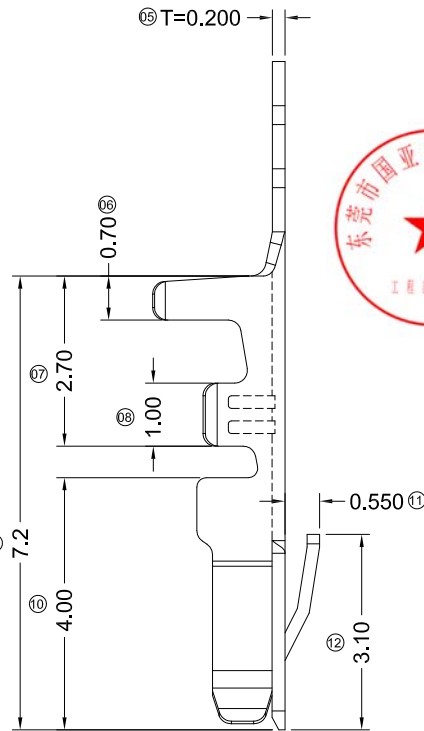
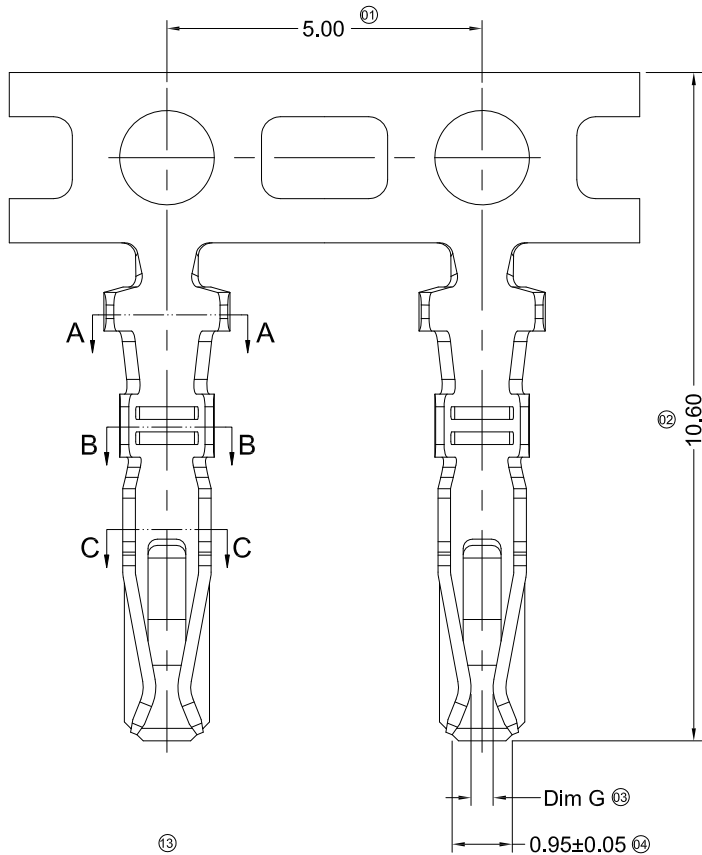
5

6

7

8

RoHS



■ Specifications :

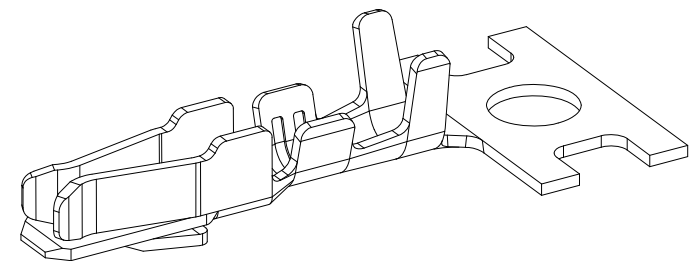
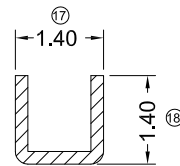
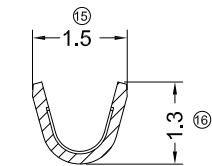
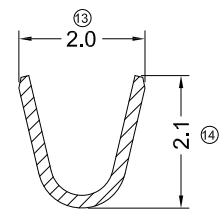
- Voltage rating: 250V AC / DC
- Current rating: 3A AC / DC
- Withstanding voltage: 1000V AC/minute
- Temperature range: -40° ~+105°
- Insulation resistance: ≥1000MΩ
- Contact resistance: ≤30mΩ
- After environmental testing: ≤50mΩ

- Wire Size: AWG#22~26
- Insulation O.D.: 1.60mm (Max)
- Used In GYA Housing: 2026H-D

2026 T X-P XX X-XX X X
① ② ③ ④ ⑤ ⑥ ⑦ ⑧ ⑨

- ① Series Number
- ② Category: T-terminal
- ③ Shape: Blank-ordinary
- ④ Material: P-Phosphor bronze
- ⑤ Plating Code:
SN-Bright Tin
G01-Contact Gold flash
G03-Contact Gold Plating 3u"
- ⑥ Plating method: Blank-Stamping before plating
- ⑦ Mold No./Mark/Special No. :
D-Mating 2026H-2*xxD Series (2*02~2*08Pin) Housing
- ⚠ ⑧ DL-Mating 2026H-2*09D Series Above Housing
- ⑨ Special code: Blank-Other Connectors
Q-Automotive Connectors

Dimensions "G"(mm)	
2026T-PXXX-DX	0.25
2026T-PXXX-DLX	0.35



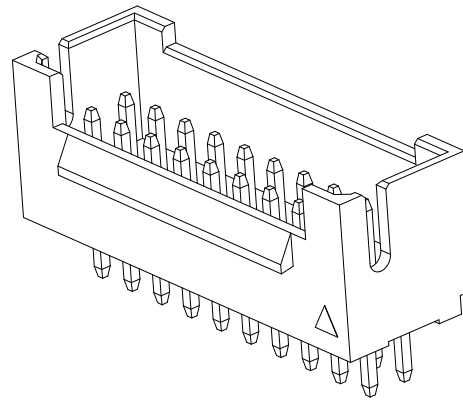
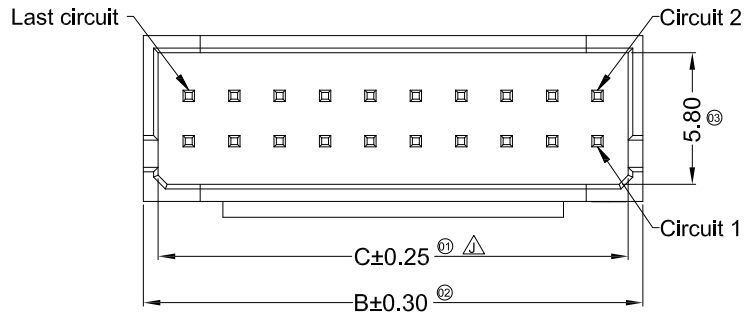
DATE	REV	ECN NO.	DESCRIPTION	MODIFY	APPROVAL
1					
2					

GENERAL TOLERANCE	
.X	±0.30
.XX	±0.20
.XXX	±0.10
X.°	±2°
PROJECT	

东莞市国亚电子有限公司 Dong Guan Guo Ya Connectors co., Ltd.			
APPROVAL	CHECK	DRAWN	DATE
Yangzhengguo	Yangzhengyi	Lvtiansheng	2016/08/26

PART NO. 2026T-PXXX-DXX				
TITLE 2.00mm Crimp Style Connectors				
UNIT	SCALE	SHEET	REV	NUMBER
mm	1:1	1/1	A0	A-000

RoHS

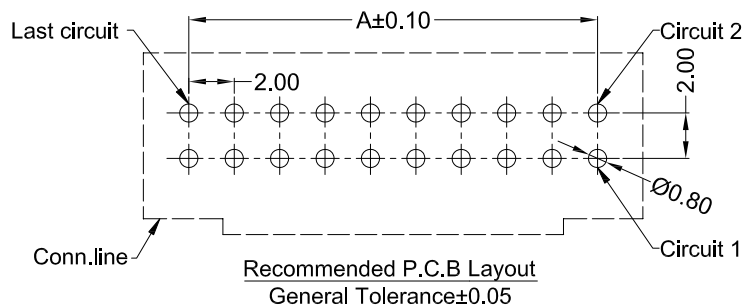
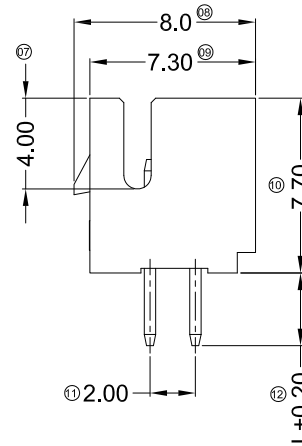
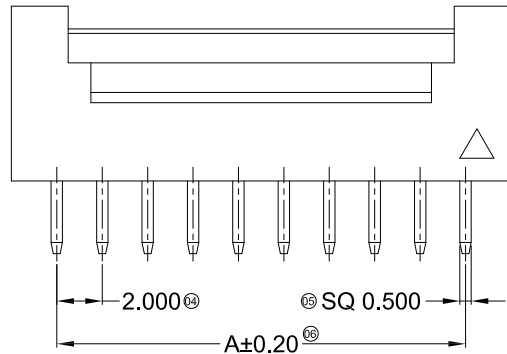


■ Specifications :

- Voltage rating: 250V AC / DC
- Current rating: 3A AC / DC
- Withstanding voltage: 1000V AC/minute
- Temperature range: -40° ~+105°
- Insulation resistance: ≥1000MΩ
- Contact resistance: ≤30mΩ
- After environmental testing: ≤50mΩ
- Material(Pin): Brass
- Mates With GYA Housing : 2026H-2*XXD-N0XXX

2026 W V X-2*XX DX -XX XX XX X X
 ① ② ③ ④ ⑤ ⑥ ⑦ ⑧ ⑨ ⑩ ⑪

- ① Series No.
- ② Category: W-Wafer
- ③ Connector Type: V-Straight 180°
- ④ Mounting type: Blank-DIP
- ⑤ Row No.-Pin No Per Row : 2*XX-2*04P~2*30P
- ⑥ Special No. :
 D-With Lock in the middle, L=3.2mm
 D1-With Lock in the middle, L=2.5mm
 D2-With Lock in the middle, L=2.0mm
- ⑦ Material: 46 -PA46 94V-0; LP-LCP 94V-0
- ⑧ Plating code :
 SN-Bright Tin ; SW-Matte Tin
 V01-All Gold Flash; V03-All Gold-Plated 3u"
 V05-All Gold-Plated 5u"
- ⑨ Color: Blank-Natural Color ; B-Black
- ⑩ Packing: Blank-PE Bag; T-Tray
- ⑪ Sequence Number: Blank-Other Connectors
 Q-Automotive Connectors



Poles	Dimensions (mm)			Poles	Dimensions (mm)			Poles	Dimensions (mm)		
	A	B	C		A	B	C		A	B	C
2*02	2.00	6.00	4.70	2*09	16.00	20.00	18.70	2*16	30.00	34.00	32.70
2*03	4.00	8.00	6.70	2*10	18.00	22.00	20.70	2*17	32.00	36.00	34.70
2*04	6.00	10.00	8.70	2*11	20.00	24.00	22.70	2*18	34.00	38.00	36.70
2*05	8.00	12.00	10.70	2*12	22.00	26.00	24.70	2*19	36.00	40.00	38.70
2*06	10.00	14.00	12.70	2*13	24.00	28.00	26.70	2*20	38.00	42.00	40.70
2*07	12.00	16.00	14.70	2*14	26.00	30.00	28.70	2*30	58.00	62.00	60.70
2*08	14.00	18.00	16.70	2*15	28.00	32.00	30.70				

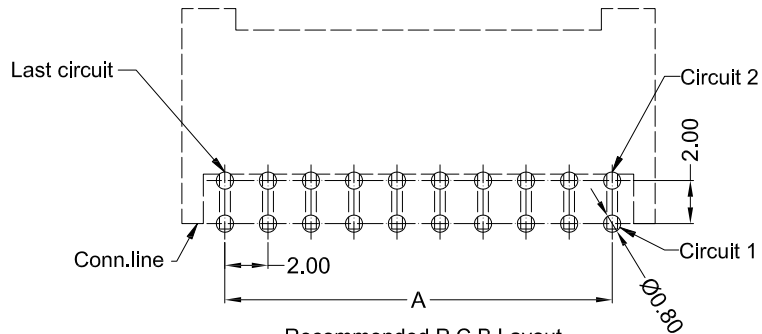
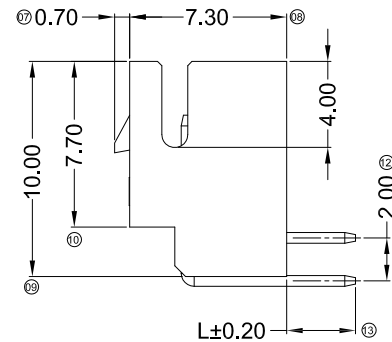
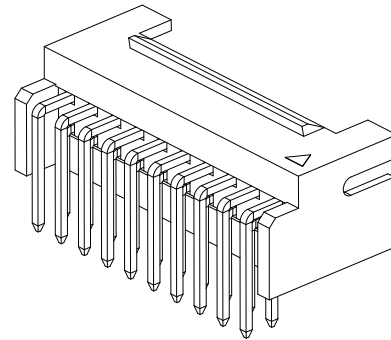
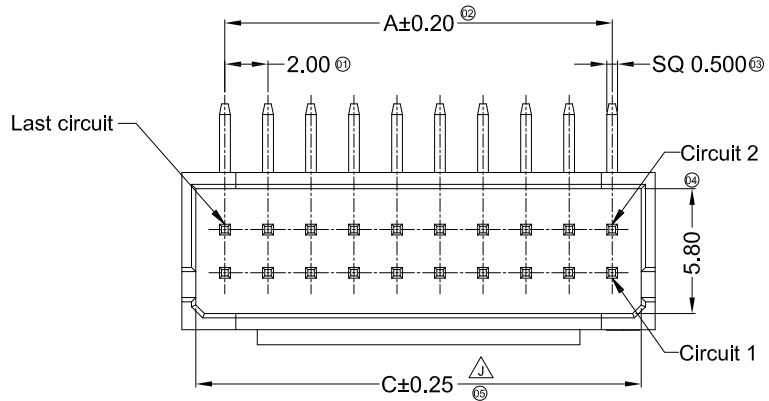
DATE	REV	ECN NO.	DESCRIPTION	MODIFY	APPROVAL
1					
2					
3					
4					
5					

GENERAL TOLERANCE	
.X	±0.30
.XX	±0.20
.XXX	±0.10
X.°	±2°
PROJECT	
⊕	⊖

东莞市国亚电子有限公司 Dong Guan Guo Ya Connectors co., ltd.			
APPROVAL	CHECK	DRAWN	DATE
Yangzhengguo	Yangzhengyi	Lvtiansheng	2016/08/26

PART NO. 2026WV-2*XXDX-XXXXXX XX				
TITLE 2.00mm Crimp Style Connectors				
UNIT	SCALE	SHEET	REV	NUMBER
mm	1:1	1/1	A0	A-007

RoHS



Recommended P.C.B Layout
General Tolerance±0.05

■ Specifications :

- Voltage rating: 250V AC / DC
- Current rating: 3A AC / DC
- Withstanding voltage: 1000V AC/minute
- Temperature range: -40° ~+105°
- Insulation resistance: ≥1000MΩ
- Contact resistance: ≤30mΩ
- After environmental testing: ≤50mΩ
- Material(Pin): Brass
- Mates With GYA Housing : 2026H-2*XXD-N0XXX

2026 W R X-2*XX DX -XX XX XX X X
① ② ③ ④ ⑤ ⑥ ⑦ ⑧ ⑨ ⑩ ⑪

- ① Series No.
- ② Category: W-Wafer
- ③ Connector Type: R-Right Angle 90°
- ④ Mounting Type: Blank-DIP
- ⑤ Row No.-Pin No Per Row: 2*XX-2*02P~2*30P
- ⑥ Special No.:
D-With Lock in the middle, L=3.2mm
D1-With Lock in the middle, L=2.5mm
D2-With Lock in the middle, L=2.0mm
- ⑦ Material: 46 -PA46 94V-0 ; LP -LCP 94V-0
- ⑧ Plating Code:
SN-Bright Tin ; SW-Matte Tin
V01-All Gold Flash; V03-All Gold-Plated 3u"
- ⑨ Color: Blank-Natural Color ; RE-Red; BL-Blue
- ⑩ Packing: Blank-PE Bag; R-Reel; T-Tray
- ⑪ Sequence Number: Blank-Other Connectors
Q-Automotive Connectors

Poles	Dimensions (mm)			Poles	Dimensions (mm)			Poles	Dimensions (mm)		
	A	B	C		A	B	C		A	B	C
2*02	2.00	6.00	4.70	2*09	16.00	20.00	18.70	2*16	30.00	34.00	32.70
2*03	4.00	8.00	6.70	2*10	18.00	22.00	20.70	2*17	32.00	36.00	34.70
2*04	6.00	10.00	8.70	2*11	20.00	24.00	22.70	2*18	34.00	38.00	36.70
2*05	8.00	12.00	10.70	2*12	22.00	26.00	24.70	2*19	36.00	40.00	38.70
2*06	10.00	14.00	12.70	2*13	24.00	28.00	26.70	2*20	38.00	42.00	40.70
2*07	12.00	16.00	14.70	2*14	26.00	30.00	28.70	2*30	58.00	62.00	60.70
2*08	14.00	18.00	16.70	2*15	28.00	32.00	30.70				



DATE	REV	ECN NO.	DESCRIPTION	MODIFY	APPROVAL
1					
2					
3					
4					
5					

GENERAL TOLERANCE
.X ±0.30
.XX ±0.20
.XXX ±0.10
X.° ±2°
PROJECT

	东莞市国亚电子有限公司 Dong Guan Guo Ya Connectors co., ltd.			
	APPROVAL	CHECK	DRAWN	DATE
Yangzhengguo	Yangzhengyi	Lvtiansheng	2016/08/26	

PART NO.				
2026WR-2*XXDX-XXXXXX X				
TITLE				
2.00mm Crimp Style Connectors				
UNIT	SCALE	SHEET	REV	NUMBER
mm	1 : 1	1/1	A0	A-007