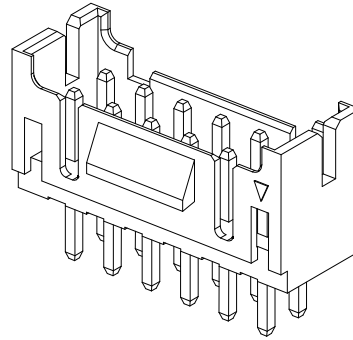
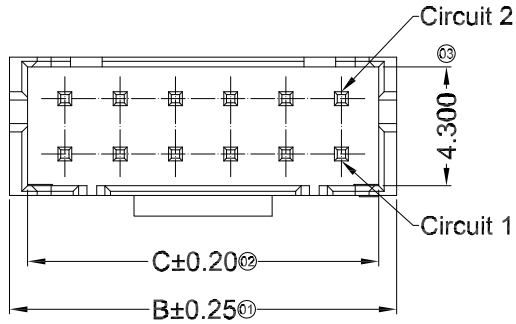
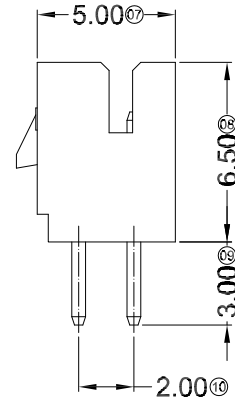
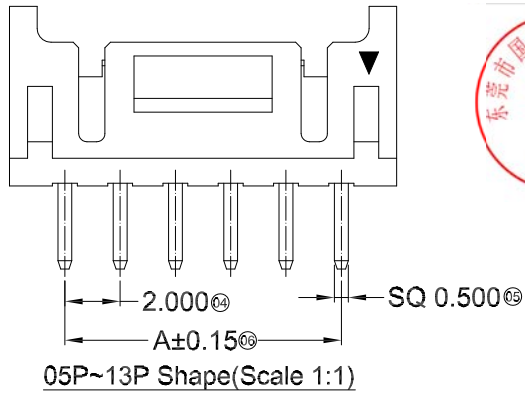


RoHS



■ Specifications :

- Voltage rating: 250V AC / DC
- Current rating: 3A AC / DC
- Withstanding voltage: 800V AC/minute
- Temperature range: -25°C~+85°C
- Insulation resistance: ≥1000MΩ
- Contact resistance: ≤10mΩ
- After environmental testing: ≤20mΩ

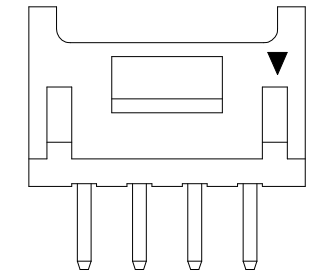


2026 W V X-2*XX B -N0 SN XX

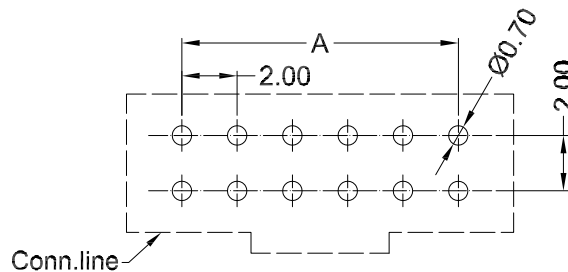
① ② ③ ④ ⑤ ⑥ ⑦ ⑧ ⑨

- ① Series No.
- ② Category: W-WAFER
- ③ Welding Board Angle: V-Straight 180°
- ④ Welding Way: Blank-DIP
- ⑤ Row No.-Pin No.: 2*XX-2*02P~2*25P
- ⑥ Plug the Pin & Special No.:
B- With Lock In the middle
- ⑦ Material: N0-PA66 94V-0
- ⑧ Plating Category: SN-Bright Tin Plating
- ⑨ Color : Blank-Natural Color

05P~13P Shape(Scale 1:1)



02P~04P Shape(Scale 1:1)



Recommended P.C.B Layout
General Tolerance±0.05

| Poles | Dimensions (mm) | | | Poles | Dimensions (mm) | | | Poles | Dimensions (mm) | | |
|-------|-----------------|-------|-------|-------|-----------------|-------|-------|-------|-----------------|-------|-------|
| | A | B | C | | A | B | C | | A | B | C |
| 2*02 | 2.00 | 6.00 | 4.70 | 2*10 | 18.00 | 22.00 | 20.70 | 2*18 | 34.00 | 38.00 | 36.70 |
| 2*03 | 4.00 | 8.00 | 6.70 | 2*11 | 20.00 | 24.00 | 22.70 | 2*19 | 36.00 | 40.00 | 38.70 |
| 2*04 | 6.00 | 10.00 | 8.70 | 2*12 | 22.00 | 26.00 | 24.70 | 2*20 | 38.00 | 42.00 | 40.70 |
| 2*05 | 8.00 | 12.00 | 10.70 | 2*13 | 24.00 | 28.00 | 26.70 | 2*21 | 40.00 | 44.00 | 42.70 |
| 2*06 | 10.00 | 14.00 | 12.70 | 2*14 | 26.00 | 30.00 | 28.70 | 2*22 | 42.00 | 46.00 | 44.70 |
| 2*07 | 12.00 | 16.00 | 14.70 | 2*15 | 28.00 | 32.00 | 30.70 | 2*23 | 44.00 | 48.00 | 46.70 |
| 2*08 | 14.00 | 18.00 | 16.70 | 2*16 | 30.00 | 34.00 | 32.70 | 2*24 | 46.00 | 50.00 | 48.70 |
| 2*09 | 16.00 | 20.00 | 18.70 | 2*17 | 32.00 | 36.00 | 34.70 | 2*25 | 48.00 | 52.00 | 50.70 |

| | | | | |
|-------------------|---------------|---------------|-------------|------------------------|
| 2026WV-2*XXB-N0SN | PA66 UL 94V-0 | Brass | Tin-Plated | 2026H-B |
| PART NO | Material | Material(Pin) | Finish(Pin) | Mates With GYA Housing |

GENERAL TOLERANCE

.X ±0.30

.XX ±0.20

.XXX ±0.10

X.° ±2°

PROJECT

Yangzhengguo



东莞市国亚电子有限公司
Dong Guan Guo Ya Connectors co., ltd.

APPROVAL

CHECK

DRAWN

DATE

Yangzhengguo

Yangzhengyi

Lvtiansheng

2016/08/26

PART NO.

2026WV-2*XXB-N0SN

TITLE

2.00 mm Crimp Style Connectors

UNIT SCALE SHEET REV NUMBER

mm 1:1 1/1 A0 A-009

DATE

REV

ECN NO.

DESCRIPTION

MODIFY

APPROVAL

1

2

3

4

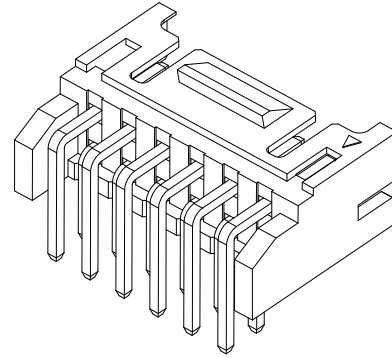
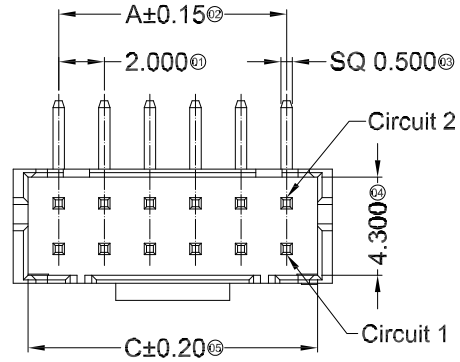
5

6

7

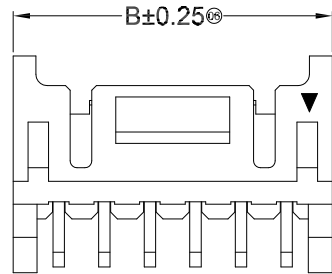
8

RoHS

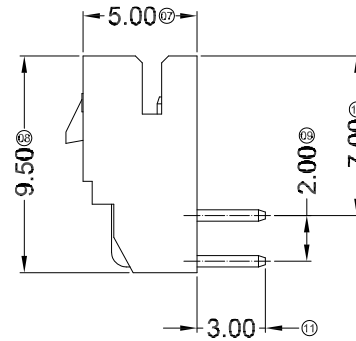


■ Specifications :

- Voltage rating: 250V AC / DC
- Current rating: 3A AC / DC
- Withstanding voltage: 800V AC/minute
- Temperature range: -25°C~+85°C
- Insulation resistance: ≥1000MΩ
- Contact resistance: ≤10mΩ
- After environmental testing: ≤20mΩ



05P~13P Shape(Scale 1:1)

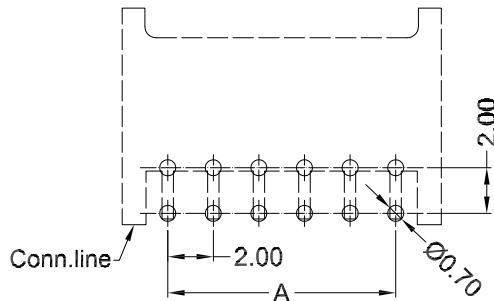


02P~04P Shape(Scale 1:1)

2026 W R X-2*XX B -N0 SN XX

- ① ② ③ ④ ⑤ ⑥ ⑦ ⑧ ⑨

- ① Series No.
- ② Category: W-WAFER
- ③ Welding Board Angle: R-Right Angle 90°
- ④ Welding Way: Blank-DIP
- ⑤ Row No.-Pin No.: 2*XX-2*02P~2*25P
- ⑥ Plug the Pin & Special No.:
B- With Lock In the middle
- ⑦ Material: N0-PA66 94V-0
- ⑧ Plating Category: SN-Bright Tin Plating
- ⑨ Color : Blank-Natural Color



Recommended P.C.B Layout
General Tolerance±0.05

| Poles | Dimensions (mm) | | | Poles | Dimensions (mm) | | | Poles | Dimensions (mm) | | |
|-------|-----------------|-------|-------|-------|-----------------|-------|-------|-------|-----------------|-------|-------|
| | A | B | C | | A | B | C | | A | B | C |
| 2*02 | 2.00 | 6.00 | 4.70 | 2*10 | 18.00 | 22.00 | 20.70 | 2*18 | 34.00 | 38.00 | 36.70 |
| 2*03 | 4.00 | 8.00 | 6.70 | 2*11 | 20.00 | 24.00 | 22.70 | 2*19 | 36.00 | 40.00 | 38.70 |
| 2*04 | 6.00 | 10.00 | 8.70 | 2*12 | 22.00 | 26.00 | 24.70 | 2*20 | 38.00 | 42.00 | 40.70 |
| 2*05 | 8.00 | 12.00 | 10.70 | 2*13 | 24.00 | 28.00 | 26.70 | 2*21 | 40.00 | 44.00 | 42.70 |
| 2*06 | 10.00 | 14.00 | 12.70 | 2*14 | 26.00 | 30.00 | 28.70 | 2*22 | 42.00 | 46.00 | 44.70 |
| 2*07 | 12.00 | 16.00 | 14.70 | 2*15 | 28.00 | 32.00 | 30.70 | 2*23 | 44.00 | 48.00 | 46.70 |
| 2*08 | 14.00 | 18.00 | 16.70 | 2*16 | 30.00 | 34.00 | 32.70 | 2*24 | 46.00 | 50.00 | 48.70 |
| 2*09 | 16.00 | 20.00 | 18.70 | 2*17 | 32.00 | 36.00 | 34.70 | 2*25 | 48.00 | 52.00 | 50.70 |

| | | | | |
|-------------------|---------------|---------------|-------------|------------------------|
| 2026WR-2*XXB-N0SN | PA66 UL 94V-0 | Brass | Tin-Plated | 2026H-B |
| PART NO | Material | Material(Pin) | Finish(Pin) | Mates With GYA Housing |

GENERAL TOLERANCE

- .X ±0.30
- .XX ±0.20
- .XXX ±0.10
- X.° ±2°

PROJECT



东莞市国亚电子有限公司
Dong Guan Guo Ya Connectors co., ltd.

APPROVAL

CHECK

DRAWN

DATE

Yangzhengguo

Yangzhengyi

Lvtiansheng

2016/08/26

PART NO.

2026WR-2*XXB-N0SN

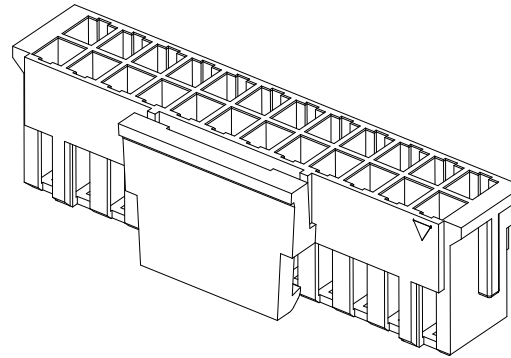
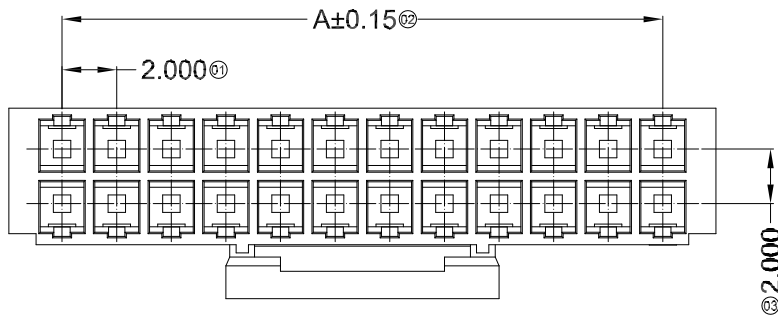
TITLE

2.00mm Crimp Style Connectors

| UNIT | SCALE | SHEET | REV | NUMBER |
|------|-------|-------|-----|--------|
| mm | 1 : 1 | 1 / 1 | A0 | A-009 |

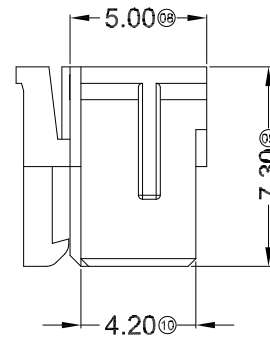
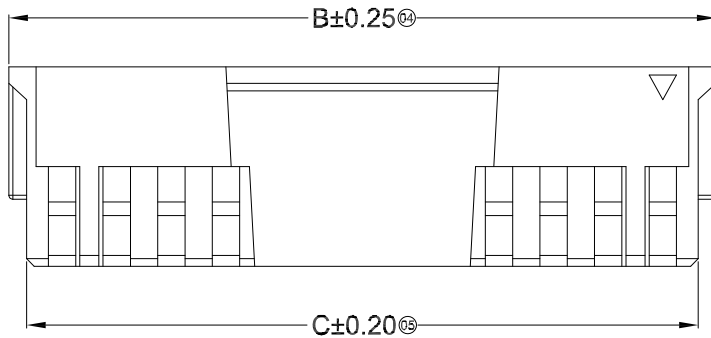
| DATE | REV | ECN NO. | DESCRIPTION | MODIFY | APPROVAL |
|------|-----|---------|-------------|--------|----------|
|------|-----|---------|-------------|--------|----------|

RoHS



■ Specifications :

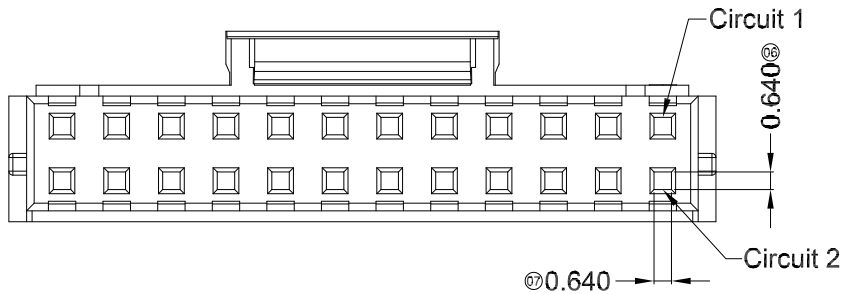
- Voltage rating: 250V AC / DC
- Current rating: 3A AC / DC
- Withstanding voltage: 800V AC/minute
- Temperature range: -25°C~+85°C
- Insulation resistance: ≥1000MΩ
- Contact resistance: ≤10mΩ
- After environmental testing: ≤20mΩ



2026 H X-2*XX B-N0 XX

① ② ③ ④ ⑤ ⑥ ⑦

- ① Series No.
- ② Category: H-HSG
- ③ Appearance type: Blank-Ordinary
- ④ Row No.-Pin No.: 2*XX-2*02P~2*22P
- ⑤ Plug the Pin & special No.:
B-With Lock in the middle
- ⑥ Material: N0-PA66 94V-0
- ⑦ Color: Blank-Natural Color ; BK-Black



| Poles | Dimensions (mm) | | | Poles | Dimensions (mm) | | |
|-------|-----------------|-------|-------|-------|-----------------|-------|-------|
| | A | B | C | | A | B | C |
| 2*02 | 2.00 | 5.90 | 4.60 | 2*13 | 24.00 | 27.90 | 26.60 |
| 2*03 | 4.00 | 7.90 | 6.60 | 2*14 | 26.00 | 29.90 | 28.60 |
| 2*04 | 6.00 | 9.90 | 8.60 | 2*15 | 28.00 | 31.90 | 30.60 |
| 2*05 | 8.00 | 11.90 | 10.60 | 2*16 | 30.00 | 33.90 | 32.60 |
| 2*06 | 10.00 | 13.90 | 12.60 | 2*17 | 32.00 | 35.90 | 34.60 |
| 2*07 | 12.00 | 15.90 | 14.60 | 2*18 | 34.00 | 37.90 | 36.60 |
| 2*08 | 14.00 | 17.90 | 16.60 | 2*19 | 36.00 | 39.90 | 38.60 |
| 2*09 | 16.00 | 19.90 | 18.60 | 2*20 | 38.00 | 41.90 | 40.60 |
| 2*10 | 18.00 | 21.90 | 20.60 | 2*21 | 40.00 | 43.90 | 42.60 |
| 2*11 | 20.00 | 23.90 | 22.60 | 2*22 | 42.00 | 45.90 | 44.60 |
| 2*12 | 22.00 | 25.90 | 24.60 | | | | |

| | | | |
|------------------|---------------------------|-----------------------|----------------------|
| 2026H-2*XXB-N0BK | Nylon 66 UL 94V-0 (Black) | 2026T-A | 2026W-B |
| 2026H-2*XXB-N0 | Nylon 66 UL 94V-0 | | |
| PART NO | Material | Suitable GYA Terminal | Mates With GYA Wafer |

GENERAL TOLERANCE

.X ±0.30

.XX ±0.20

.XXX ±0.10

X.° ±2°

PROJECT

⊕ ⊖



东莞市国亚电子有限公司
Dong Guan Guo Ya Connectors co., ltd.

APPROVAL

Yangzhengguo

CHECK

Yangzhengyi

DRAWN

Lvtiansheng

DATE

2016/08/26

PART NO.

2026H-2*XXB-N0XX

TITLE

2.00mm Crimp Style Connectors

UNIT SCALE SHEET REV NUMBER

mm 1:1 1/1 A0 A-009

| DATE | REV | ECN NO. | DESCRIPTION | MODIFY | APPROVAL |
|------|-----|---------|-------------|--------|----------|
| 1 | | | | | |