

Note 注解:

1. Put Housing in a PE bag, PE bag gauge for: 220 \* 230 \* 0.10 mm, Packing detail see the table below

将 Housing放入PE袋内, PE袋规为:220\*230\*0.10mm, 详细包装见下表

2. Put PE bag packed products in specifications of 440 \* 295 \*415 mm cartons, Packing detail see the table below

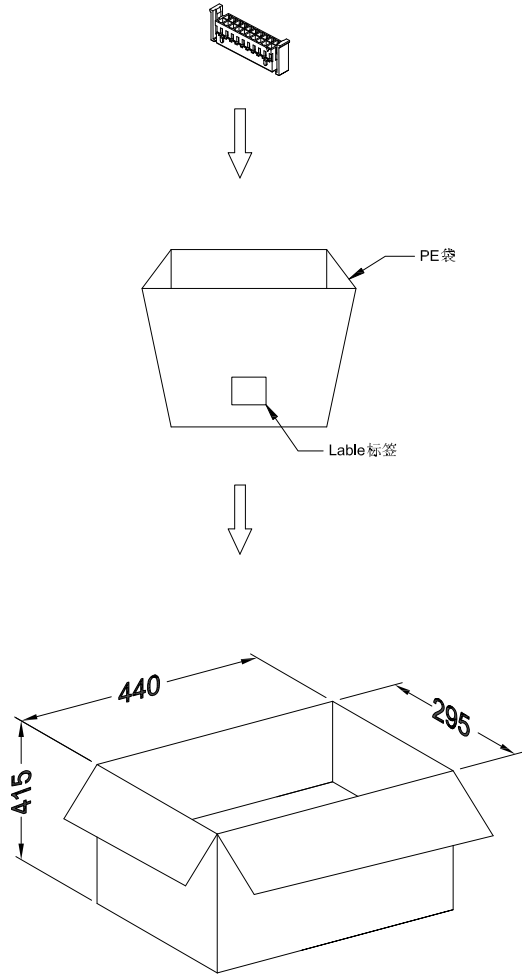
将装好产品的PE袋放入规格为440\*295\*415mm的纸箱内, 详细包装见下表

3. Label depends on customer request, carton opening joint with transparent tape

标签依客户要求而定, 纸箱开口处用透明胶带贴合.

4. Carton material: K=K, Carton thickness: 6~7mm

纸箱材质:K=K, 纸箱厚度:6~7mm



Pin位	袋/PCS	箱/袋	箱/PCS
2*02	1000	50	50K
2*03			
2*04			
2*05			
2*06	1000	35	35K
2*07			
2*08			
2*09			
2*10	1000	20	20K
2*11			
2*12			
2*13			
2*14	1000	14	14K
2*15			
2*16			
2*17			
2*18	1000	14	14K
2*19			
2*20			
2*21			
2*22	1000	14	14K
2*22			

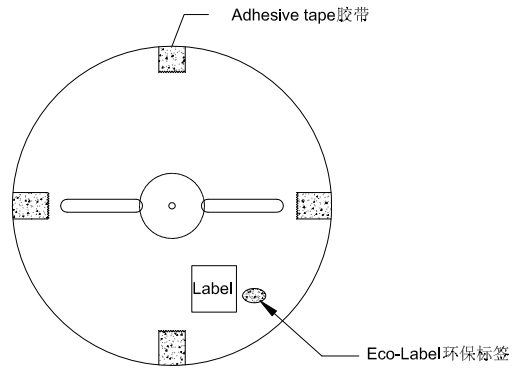
GENERAL TOLERANCE	
.X	±0.35
.XX	±0.25
.XXX	±0.15
X°	±0.2°

**GYA** 东莞市国亚电子有限公司  
Connectors Dong Guan Guo Ya Connectors co., ltd.

APPROVAL	CHECK	DRAWN	DATE
Yangzhengguo	Yangzhengyi	Lvtiansheng	2016/08/26

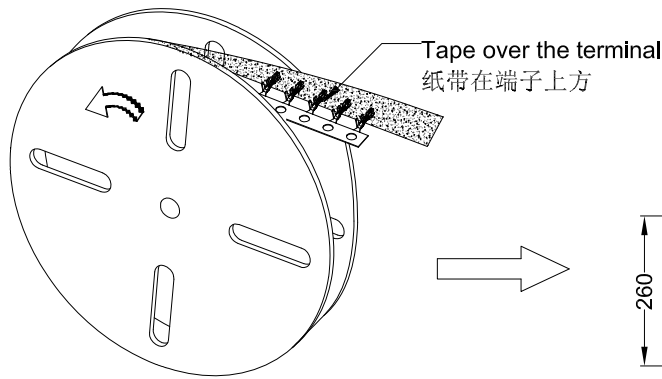
PART NO. 2026H-2*XXAX-N0XX				
TITLE: 2.00mm Housing Packing				
UNIT	SCALE	SHEET	REV	NUMBER
mm	1:1	1/1	A0	A-089

DATE	REV	ECN NO.	DESCRIPTION	MODIFY	APPROVAL

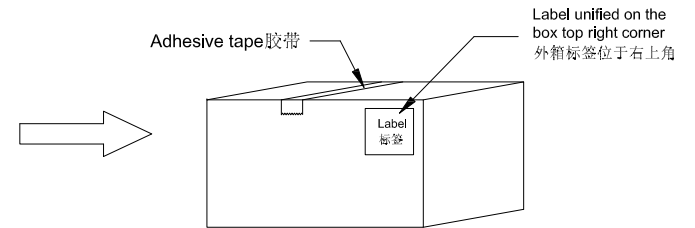
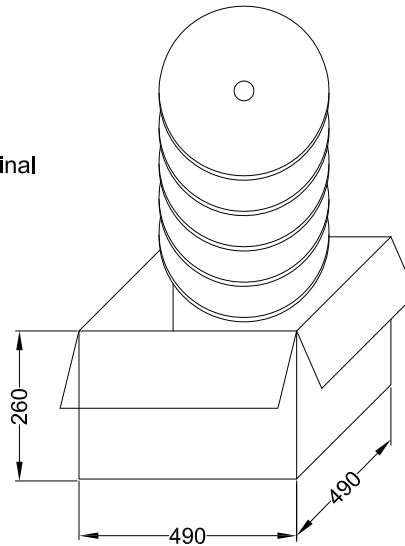


Note 注解:

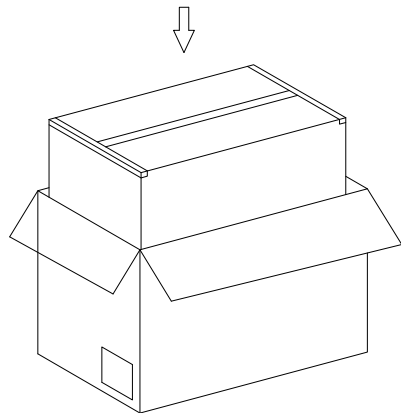
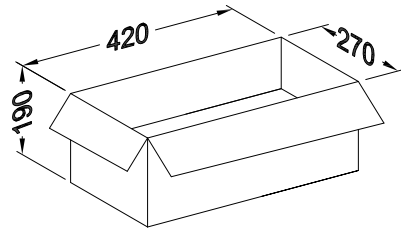
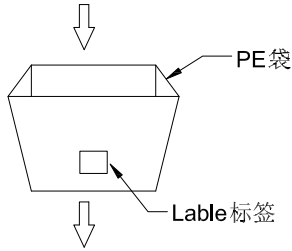
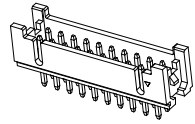
- Quantity 数量:  
10K PCS/REEL 一卷10K/PCS  
10 REEL/BOX 一箱10卷  
100K PCS/BOX 一箱100K/PCS
- Each reel and outer box must be labeled and Eco-Label Respectively labeled  
每盘和外箱都必须有标签及环保标签分别标示
- Terminal winding direction as shown  
端子缠绕方向如左图所示
- There shall be no dirt such as deformation phenomenon, Mantissa box fillers must be used  
每箱不可有脏污, 变形现象, 尾数箱必须用填充物
- Carton material 纸箱材质:K=K;  
Carton Thickness 纸箱厚度: 6~7mm



卷装方式  
Package way



					GENERAL TOLERANCE .X ±0.35 .XX ±0.25 .XXX ±0.15 X° ±0.2°				<b>GYA</b> 东莞市国亚电子有限公司 Connectors Dong Guan Guo Ya Connectors co., ltd.				PART NO. 2026TX-PXX-X							
					APPROVAL Yangzhengguo				CHECK Yangzhengyi				DRAWN Lvtiensheng				DATE 2016/08/26			
					视图 								TITLE: 2.00mm Terminal Packing							
DATE	REV	ECN NO.	DESCRIPTION	MODIFY	APPROVAL							UNIT	SCALE	SHEET	REV	NUMBER				
												mm	1:1	1/1	A0	A-000				



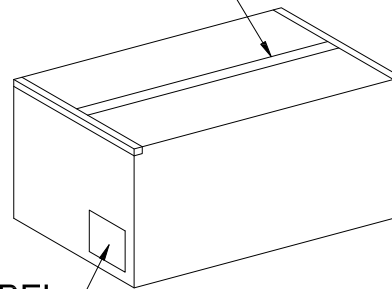
Two little box full of products in a big box  
装满产品的两个小箱放入一个大箱

Note注解:

- Put Housing in a PE bag, PE bag gauge for: 240 \* 240 \* 0.10 mm, Packing detail see the table below  
将 Housing放入PE袋内, PE袋规为:240\*240\*0.10mm, 详细包装见下表
- Put PE bag packed products in specifications of 420 \* 270 \* 190 mm cartons, Packing detail see the table below  
将装好产品的PE袋放入规格为420\*270\*190mm的纸箱内, 详细包装见下表
- Cartons measured 440\*295\*415mm contains two cartons of 420\*270\*190mm, Packing detail see the table below  
将装好的纸箱放入440\*295\*415mm的大纸箱内, 一大箱装2个420\*270\*190mm小纸箱, 详细包装见下表
- Label depends on customer request, carton opening joint with transparent tape  
标签依客户要求而定, 纸箱开口处用透明胶带贴合.
- Carton material: K=K, Carton thickness: 6~7mm  
纸箱材质:K=K, 纸箱厚度:6~7mm



胶带ADHESIVE TAPE



标签LABEL

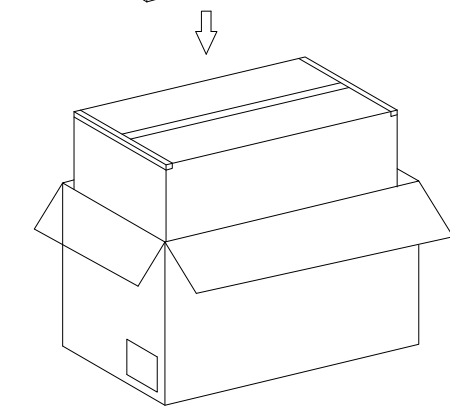
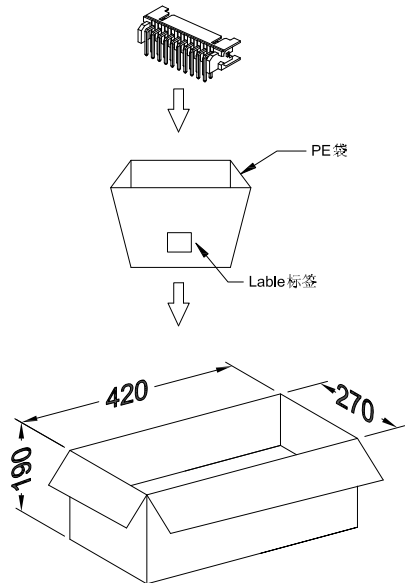
Carton size: 440 \* 295 \* 415 mm  
纸箱规格为:440\*295\*415mm

Pin位	袋/PCS	内箱/袋	内箱/袋	外箱/袋
2*02	1000	20	20K	40K
2*03				
2*04				
2*05				
2*06				
2*07	500	12	6K	12K
2*08				
2*09				
2*10				
2*11				
2*12				
2*13				
2*14	200	23	4.6K	9.2K
2*15				
2*16				
2*17				
2*18				
2*19				
2*20				

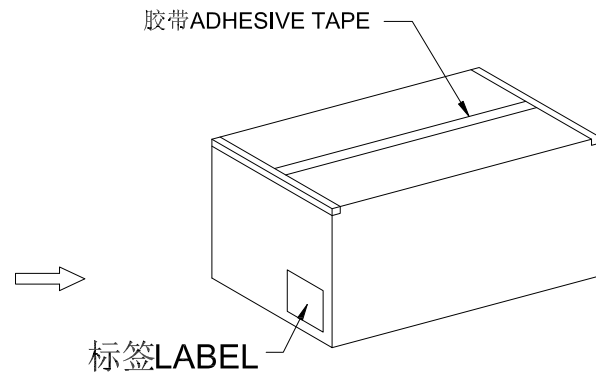
GENERAL TOLERANCE						PART NO.								
.X	±0.35	<b>GYA</b> 东莞市国亚电子有限公司 Connectors Dong Guan Guo Ya Connectors co.,ltd.				2026WV-2*XXA1X-9TSN								
.XX	±0.25					TITLE:								
.XXX	±0.15					2.00mm Housing Packing								
X°	±0.2°					APPROVAL	CHECK	DRAWN	DATE	UNIT	SCALE	SHEET	REV	NUMBER
DATE	REV	ECN NO.	DESCRIPTION	MODIFY	APPROVAL	Yangzhengguo	Yangzhengyi	Lvtiansheng	2016/08/26	mm	1:1	1/1	A0	A-053

Note 注解:

- Put Housing in a PE bag, PE bag gauge for: 240 \* 240 \* 0.10 mm, Packing detail see the table below  
将 Housing放入PE袋内, PE袋规为:240\*240\*0.10mm, 详细包装见下表
- Put PE bag packed products in specifications of 420 \* 270 \* 190 mm cartons, Packing detail see the table below  
将装好的产品PE袋放入规格为420\*270\*190mm的纸箱内, 详细包装见下表
- Cartons measured 440\*295\*415mm contains two cartons of 420\*270\*190mm, Packing detail see the table below  
将装好的小纸箱放入440\*295\*415mm的大纸箱内, 一大箱装2个420\*270\*190mm小纸箱, 详细包装见下表
- Label depends on customer request, carton opening joint with transparent tape  
标签依客户要求而定, 纸箱开口处用透明胶带贴合。
- Carton material: K=K, Carton thickness: 6~7mm  
纸箱材质:K=K, 纸箱厚度:6~7mm



Two little box full of products in a big box  
装满产品的两个小纸箱放入一个大纸箱内



Carton size: 440 \* 295 \* 415 mm  
大纸箱规格为: 440\*295\*415mm



Pin位	袋/PCS	内箱/袋	内箱/袋	外箱/袋
2*02	1000	20	20K	40K
2*03				
2*04				
2*05				
2*06	500	12	6K	12K
2*07				
2*08				
2*09				
2*10	300	12	3.6K	7.2K
2*11				
2*12				
2*13				
2*14				
2*15				
2*16				
2*17				
2*18				
2*19				
2*20				

DATE	REV	ECN NO.	DESCRIPTION	MODIFY	APPROVAL	GENERAL TOLERANCE	APPROVAL				PART NO.							
						.X ±0.35	<b>GYA</b> 东莞市国亚电子有限公司 Connectors Dong Guan Guo Ya Connectors co., ltd.	CHECK	DRAWN	DATE	2026WR-2*XXA1X-9TSN							
					.XX ±0.25	TITLE: 2.00mm Housing Packing												
					.XXX ±0.15	UNIT					SCALE	SHEET	REV	NUMBER				
					X° ±0.2°	mm					1:1	1/1	A0	A-053				
						视图	Yangzhengguo	Yangzhengyi	Lvtiansheng	2016/08/26								