

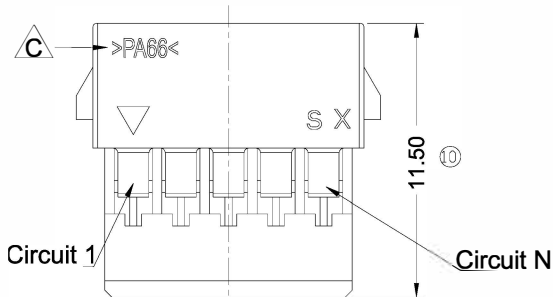
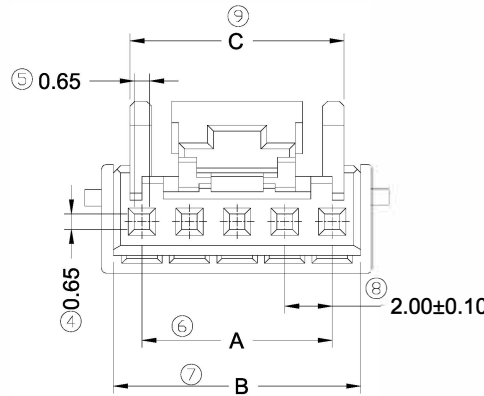
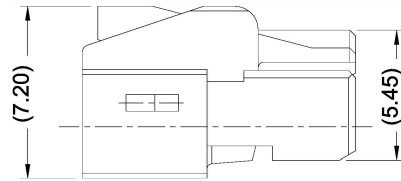
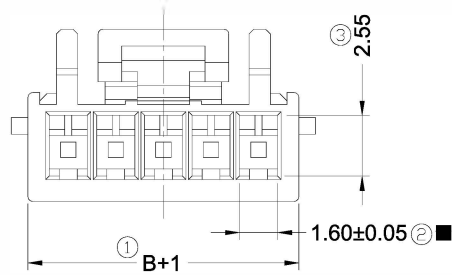
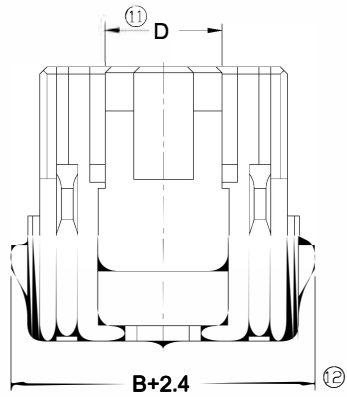


■ Specifications :

- Voltage rating: 250V AC / DC
- Current rating: 3A AC / DC
- Withstanding voltage: 800V AC/minute
- Temperature range: -40° ~+125°
- Insulation resistance: ≥1000MΩ
- Contact resistance: ≤10mΩ
- After environmental testing: ≤20mΩ

2019 H -1xXX -N0 N B R 01 Q

- ① Series No.  
 ② Category: H-HSG  
 ③ Row No.-Pin No.: 1xXX-02P~05P  
 ④ Material : N0-PA66 94V-0  
 ⑤ Color : N-Natural  
 ⑥ Packing:B-Bag  
 ⑦ R-RoHS  
 ⑧ Special No.:  
 ⑨ Q-Automotive products



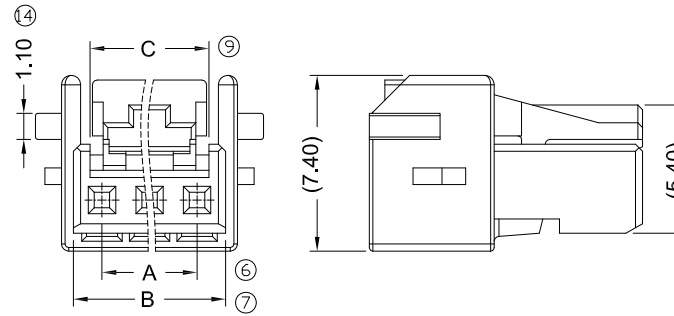
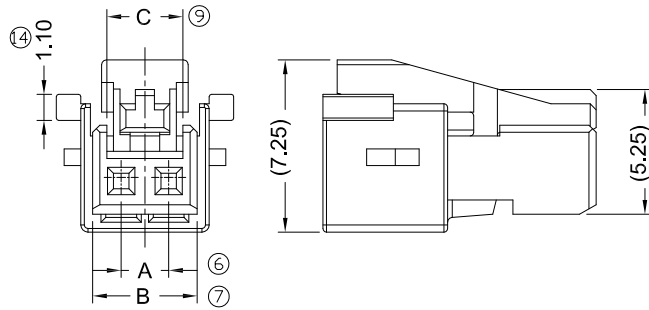
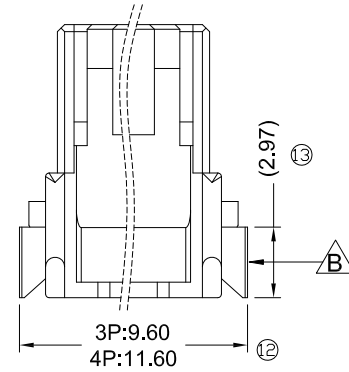
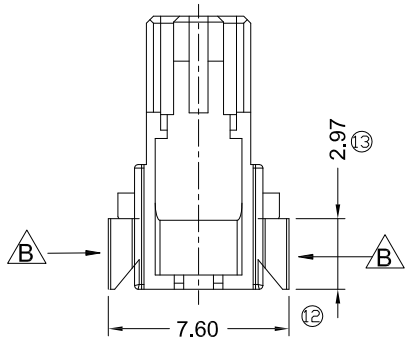
Poles	Dimensions (mm)			
	AB	C	D	
02	2.00	4.40	3.00	2.10
03	4.00	6.40	5.00	3.90
04	6.00	8.40	6.60	4.90
05	8.00	10.40	9.00	4.90

2019H-1xXX-N0NBR01Q				Nylon 66 94V-0		C2019		2019T		2000W			
PART NO				Material		Suitable GYA Retainer		Suitable GYA Terminal		Suitable GYA Header			
GENERAL TOLERANCE				东莞市国亚电子有限公司 Dong Guan Guo Ya Connectors co., ltd.		APPROVAL		CHECK		DRAWN		DATE	
.X ±0.30													
.XX ±0.20													
.XXX ±0.10													
PROJECT				PROJECT		Yangzhengguo		Yangzhengyi		Lvtiansheng			
DATE				REV		ECN NO.		DESCRIPTION		MODIFY		APPROVAL	
1				2		3		4		5		6	
7				8		9		10		11		12	

PART NO.				
2019H-1xXX-N0NBR01Q				
TITLE 2.00mm Connector Housing (Retainer mountable type)				
UNIT	SCALE	SHEET	REV	NUMBER
mm	1:1	1/2	A0	A-022

2 P

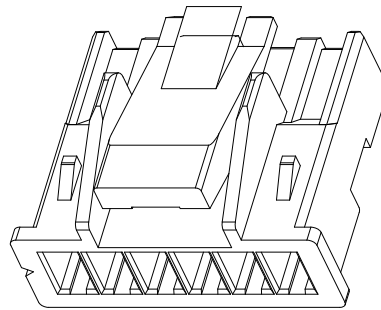
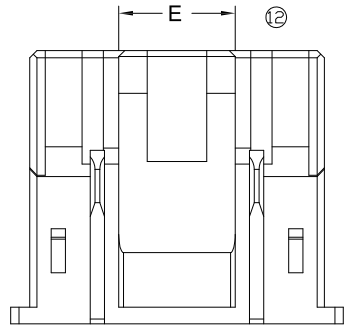
3~4 P



				GENERAL TOLERANCE .X ±0.30 .XX ±0.20 .XXX ±0.10 X.° ±2°				<b>GYA</b> 东莞市国亚电子有限公司 Connectors Dong Guan Guo Ya Connectors co., ltd.				PART NO. 2019H-1xxx-N0NBR01Q TITLE 2.00mm Connector Housing (Retainer mountable type)			
				PROJECT				APPROVAL	CHECK	DRAWN	DATE	UNIT SCALE SHEET REV NUMBER mm 1:1 2/2 A0 A-022			
DATE	REV	ECN NO.	DESCRIPTION	MODIFY	APPROVAL	Yangzhengguo	Yangzhengyi	Lvtiansheng	2016/08/26						

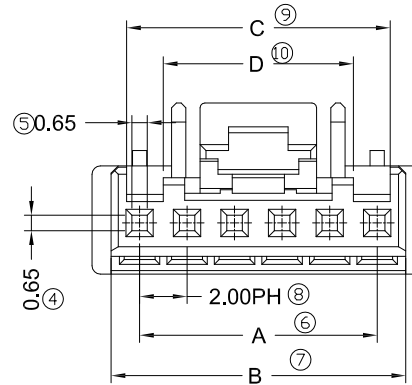
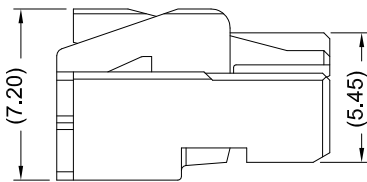
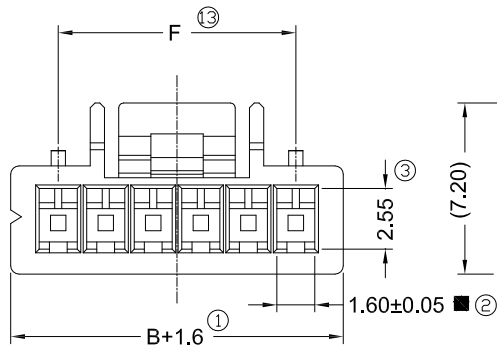
RoHS

RD-1



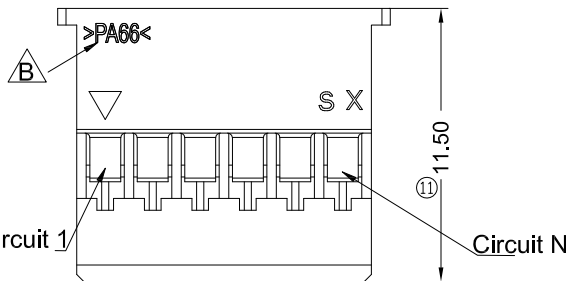
■ Specifications :

- Voltage rating: 250V AC / DC
- Current rating: 3A AC / DC
- Withstanding voltage: 800V AC/minute
- Temperature range: -40° ~+125°
- Insulation resistance: ≥1000MΩ
- Contact resistance: ≤10mΩ
- After environmental testing: ≤20mΩ



2019 H -1xXX -N0 N B R 01 Q

- ① Series No.
- ② Category: H-HSG
- ③ Row No.-Pin No.: 1xXX-06P~15P
- ④ Material: N0-PA66 94V-0
- ⑤ Color: N-Natural
- ⑥ Packing: B-Bag
- ⑦ R-RoHS
- ⑧ Special No.:
- ⑨ Q-Vehicle products



Poles	Dimensions (mm)						Poles	Dimensions (mm)					
	AB		C	DE		F		AB		C	D	E	F
06	10.00	12.40	11.10	8.00	4.90	10.00	11	20.00	22.40	21.10	14.60	11.40	17.40
07	12.00	14.40	13.10	8.00	4.90	10.00	12	22.00	24.40	23.10	14.60	11.40	17.40
08	14.00	16.40	15.10	8.00	4.90	10.00	13	24.00	26.40	25.10	14.60	11.40	17.40
09	16.00	18.40	17.10	8.00	4.90	12.00	14	26.00	28.40	27.10	14.60	11.40	17.40
10	18.00	20.40	19.10	14.60	11.40	17.40	15	28.00	30.40	29.10	14.60	11.40	17.40

2019H-1xXX-N0NBR01Q	Nylon 66 94V-0	C2019	2019T	2000W
PART NO	Material	Suitable GYA Retainer	Suitable GYA Terminal	Suitable GYA Header

GENERAL TOLERANCE	
.X	±0.30
.XX	±0.20
.XXX	±0.10
X.°	±2°

**GYA** 东莞市国亚电子有限公司  
Connectors Dong Guan Guo Ya Connectors co., Ltd.

APPROVAL CHECK DRAWN DATE

PROJECT  
Yangzhengguo Yangzhengyi Lviansheng

2016/08/26

PART NO.  
2019H-1xXX-N0NBR01Q

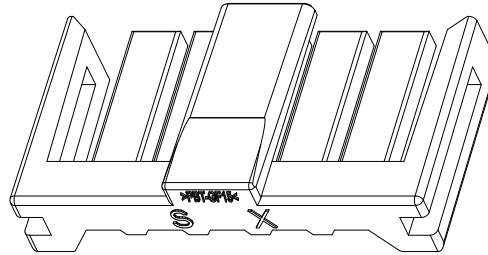
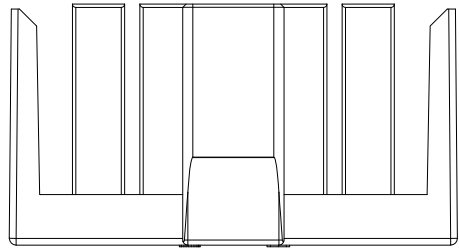
TITLE  
2.00mm Connector Housing  
(Retainer mountable type)

UNIT	SCALE	SHEET	REV	NUMBER
mm	1:1	1/1	A0	A-022

DATE	REV	ECN NO.	DESCRIPTION	MODIFY	APPROVAL
1					
2					

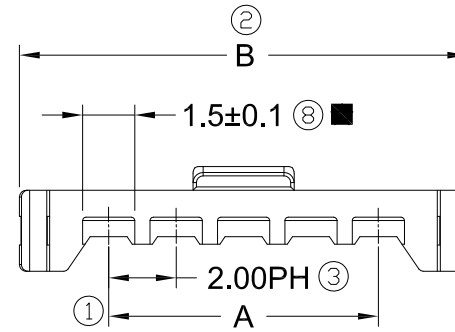
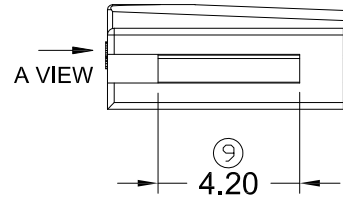
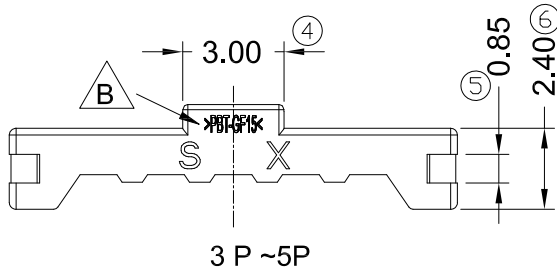
RoHS

RD-1



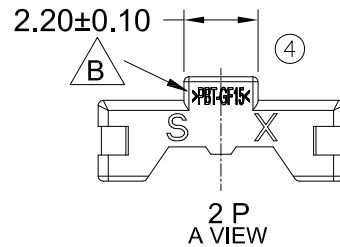
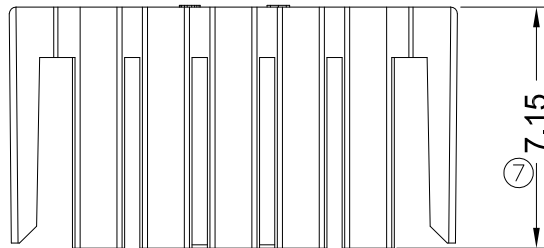
■ Specifications :

- Voltage rating: 250V AC / DC
- Current rating: 3A AC / DC
- Withstanding voltage: 800V AC/minute
- Temperature range: -40°C~+125°C
- Insulation resistance:  $\geq 1000M\Omega$
- Contact resistance:  $\leq 10m\Omega$
- After environmental testing:  $\leq 20m\Omega$



C2019 -1xXX -PT N B R 01 Q  
 ① ② ③ ④ ⑤ ⑥ ⑦ ⑧

- ① Series No.
- ② Row No.-Pin No.: 1xXX-02P~05P
- ③ Material : PT-PBT 94V-0
- ④ Color : N-Natural
- ⑤ Packing: B-Bag
- ⑥ R-RoHS
- ⑦ Special No.:
- ⑧ Q-Vehicle products



Poles	Dimensions (mm)	
	AB	
02	2.00	7.3
03	4.00	9.3
04	6.00	11.3
05	8.00	13.3

C2019-1xXX-PTNBR01Q	PBT 94V-0	2019H	2019T	2000W
PART NO	Material	Suitable GYA Housing	Suitable GYA Terminal	Suitable GYA Header

DATE	REV	ECN NO.	DESCRIPTION	MODIFY	APPROVAL
1		2		4	

GENERAL TOLERANCE	
.X	±0.30
.XX	±0.20
.XXX	±0.10
X.°	±2°
PROJECT	

**GYA** 东莞市国亚电子有限公司  
 Connectors Dong Guan Guo Ya Connectors co., ltd.

APPROVAL	CHECK	DRAWN	DATE
Yangzhengguo	Yangzhengyi	Lvtiansheng	2016/08/26

PART NO. C2019-1xXX-PTNBR01Q				
TITLE 2.00mm Connector TPA				
UNIT	SCALE	SHEET	REV	NUMBER
mm	1:1	1/1	A0	A-022

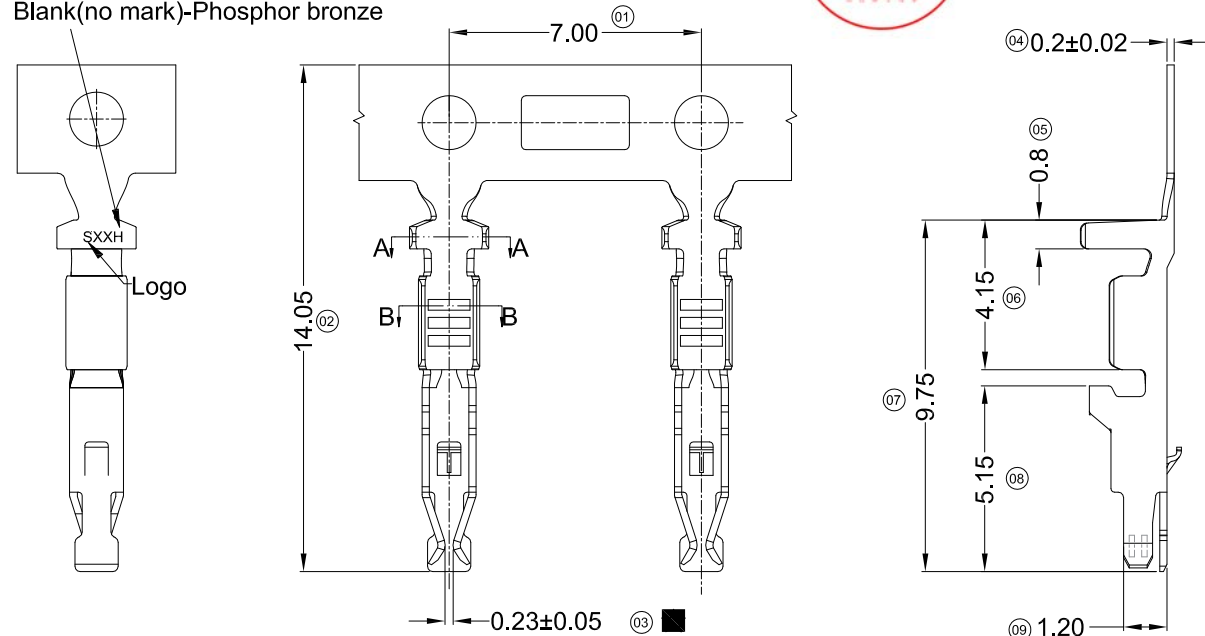


RoHS

RD-1



Material marking:  
H-C7025  
Blank(no mark)-Phosphor bronze



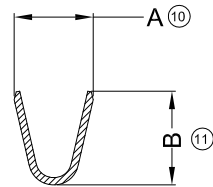
**Specifications :**

- Voltage rating: 250V AC / DC
- Current rating: 3A AC / DC
- Withstanding voltage: 800V AC/minute
- Temperature range: -40° ~+105° (C5191)  
-40° ~+125° (C7025)
- Insulation resistance: ≥1000MΩ
- Contact resistance: ≤10mΩ
- After environmental testing: ≤20mΩ
- Suitable GYA Housing: 2019H

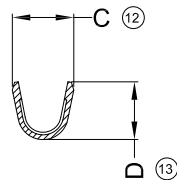
2019 T - X 08 S X - 01 Q

(01) (02) (03) (04) (05) (06) (07) (08)

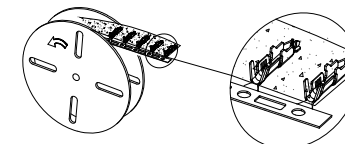
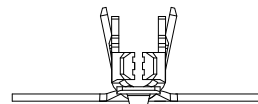
- (01) Series No.
- (02) Category: T-Terminal
- (03) Material: P-Phosphor bronze H-C7025
- (04) Plating Style: 08-Bright Tin Plating
- (05) Plating Method : S-Stamping before Plating
- (06) Appearance type:H-High Barrel;Blank-Low Barrel
- (07) Mold No./Mark/Special No.
- (08) Q-Vehicle products



SECTION: A-A  
SCALE: 1:1



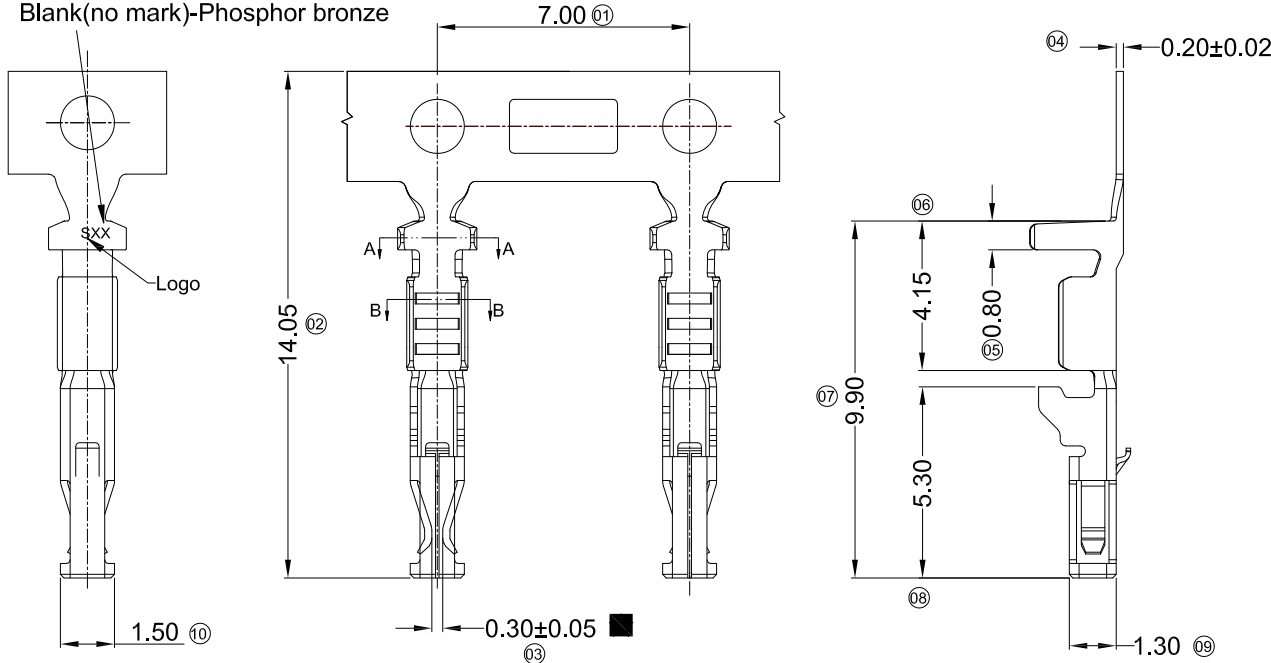
SECTION: B-B  
SCALE: 1:1



2019T-P08SH-01Q	Phosphor bronze C5191	0.35mm <sup>2</sup> ~0.5mm <sup>2</sup> (22 AWG~20 AWG) OD=1.6Max.	Ni:40u~120" ; Tin:80~200u" 1-3umNi; 2-5umTin	2.20	2.60	1.80	1.70
2019T-H08SH-01Q	C7025						
2019T-P08S-01Q	Phosphor bronze C5191	0.22mm <sup>2</sup> ~0.35mm <sup>2</sup> (24AWG~22AWG) OD=1.3Max.		2.20	2.60	1.70	1.60
2019T-H08S-01Q	C7025						
P/N	Material	Wire Size	FINISH	DIM A	DIM B	DIM C	DIM D

				GENERAL TOLERANCE .X ±0.30 .XX ±0.20 .XXX ±0.10 X.° ±2°				<b>GYA</b> 东莞市国亚电子有限公司 Connectors Dong Guan Guo Ya Connectors co., ltd.				PART NO. 2019T-X08SX-01Q TITLE 2.00mm Crimp Style Terminal			
				APPROVAL Yangzhengguo CHECK Yangzhengyi DRAWN Lviansheng DATE 2016/08/26				UNIT mm SCALE 5:1 SHEET 1/1 REV A0 NUMBER A-000							
DATE	REV	ECN NO.	DESCRIPTION	MODIFY	APPROVAL	PROJECT	PROJECT	PROJECT	PROJECT	PROJECT	PROJECT	PROJECT	PROJECT		
1						Yangzhengguo	Yangzhengyi	Lviansheng	2016/08/26						

Material marking:  
H-C7025  
Blank(no mark)-Phosphor bronze

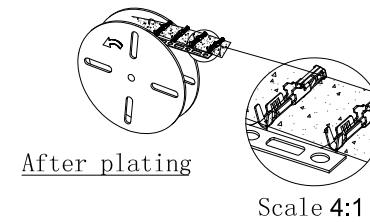
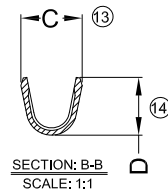
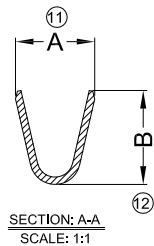


■ Specifications :

- Voltage rating: 250V AC / DC
- Current rating: 3A AC / DC
- Withstanding voltage: 800V AC/minute
- Temperature range: -40° ~+105° (C5191)  
-40° ~+125° (C7025)
- Insulation resistance: ≥1000MΩ
- Contact resistance: ≤10mΩ
- After environmental testing: ≤20mΩ
- Suitable GYA Housing: 2019H

2019 T - X 08 S X - 02 Q  
① ② ③ ④ ⑤ ⑥ ⑦ ⑧

- ① Series No.
- ② Category: T-Terminal
- ③ Material: P-Phosphor bronze H-C7025
- ④ Plating Style: 08-Bright Tin Plating
- ⑤ Plating Method : S-Stamping before Plating
- ⑥ Appearance type:H-High Barrel;Blank-Low Barrel
- ⑦ Mold No./Mark/Special No.
- ⑧ Q-Vehicle products



2019T-P08SH-02Q	Phosphor bronze C5191	0.35mm <sup>2</sup> ~0.5mm <sup>2</sup> (22 AWG~20 AWG) OD=1.6Max.	Ni:40~120" ; Tin:80~200" 1-3umNi; 2-5umTin	2.20	2.60	1.80	1.70
2019T-H08SH-02Q	C7025			2.20	2.60	1.70	1.60
2019T-P08S-02Q	Phosphor bronze C5191	0.22mm <sup>2</sup> ~0.35mm <sup>2</sup> (24AWG~22AWG) OD=1.3Max.					
2019T-H08S-02Q	C7025						
P/N	Material	Wire Size	FINISH	DIM A	DIM B	DIM C	DIM D

GENERAL TOLERANCE

- .X ±0.30
- .XX ±0.20
- .XXX ±0.10
- X.° ±2°

PROJECT



**GYA** 东莞市国亚电子有限公司  
Connectors Dong Guan Guo Ya Connectors co., ltd.

APPROVAL CHECK DRAWN DATE

Yangzhengguo Yangzhengyi Lviansheng 2016/08/26

PART NO.

2019T-P08SX-02Q

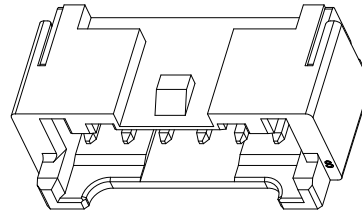
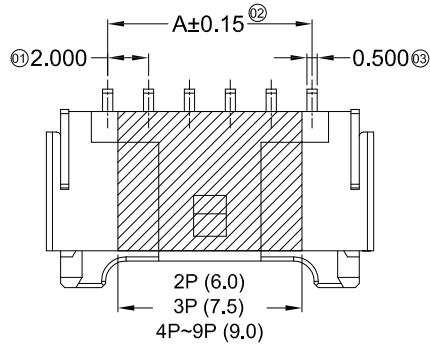
TITLE

2.00mm Crimp Style Connectors

UNIT	SCALE	SHEET	REV	NUMBER
mm	1:1	1/1	A0	A-000

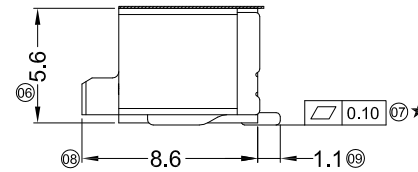
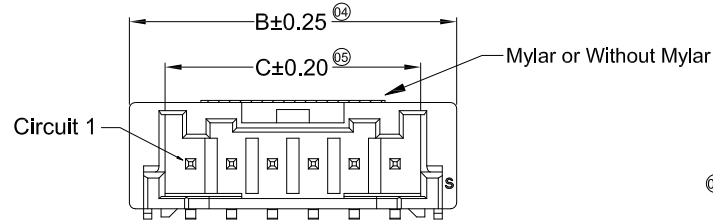
DATE	REV	ECN NO.	DESCRIPTION	MODIFY	APPROVAL
1		2		4	

RoHS



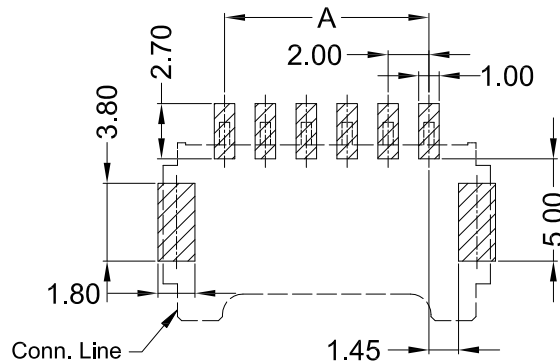
**Specifications :**

- Voltage rating: 250V AC / DC
- Current rating: 3A AC / DC
- Withstanding voltage: 800V AC/minute
- Temperature range: -40° ~+105°
- Insulation resistance: ≥1000MΩ
- Contact resistance: ≤10mΩ
- After environmental testing: ≤20mΩ
- "\*" Critical dimension
- Material(Pin): Brass
- Material(Solder Tabs): Brass
- Mates With GYA Housing : 2000H

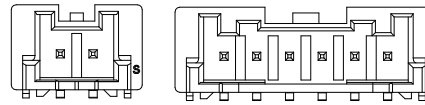


2000 W R S-XX X -XX SW XX X-S  
① ② ③ ④ ⑤ ⑥ ⑦ ⑧ ⑨ ⑩

- ① Series No.
- ② Category: W-WAFER
- ③ Connector type: R-Right Angle 90°
- ④ Mounting type: S-SMT
- ⑤ Row No.-Pin No per row: XX-02P~16P
- ⑥ Special No.
- ⑦ Material: 9T -PA9T 94V-0; LP -LCP 94V-0
- ⑧ Plating code: SW- Matte Tin
- ⑨ Color: Blank-Natural Color; BK-Black Color
- ⑩ Packing: Blank-Reel ,02~09P With Mylar;  
10~16P Without Mylar  
R-Reel ,02~09P Without Mylar

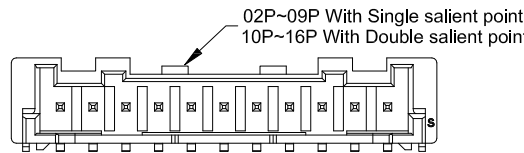


Recommended P.C.B Layout  
General Tolerance±0.05



2P-4P  
SCALE 1:0.8

5P-9P  
SCALE 1:0.8



10P-16P  
SCALE 1:0.8

Poles	Dimensions (mm)			Poles	Dimensions (mm)		
	AB	C			AB	C	
02	2.00	8.00	4.50	10	18.00	24.00	20.50
03	4.00	10.00	6.50	11	20.00	26.00	22.50
04	6.00	12.00	8.50	12	22.00	28.00	24.50
05	8.00	14.00	10.50	13	24.00	30.00	26.50
06	10.00	16.00	12.50	14	26.00	32.00	28.50
07	12.00	18.00	14.50	15	28.00	34.00	30.50
08	14.00	20.00	16.50	16	30.00	36.00	32.50
09	16.00	22.00	18.50				

DATE	REV	ECN NO	DESCRIPTION	MODIFY	APPROVAL
1					
2					
3					
4					
5					

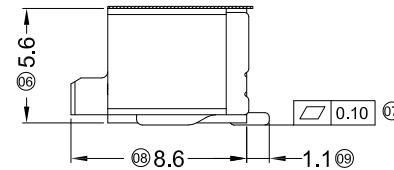
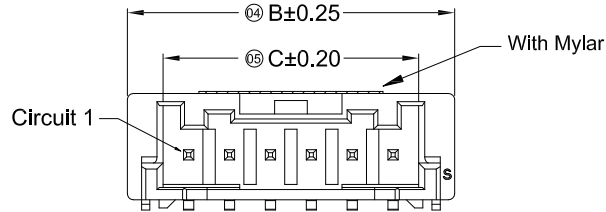
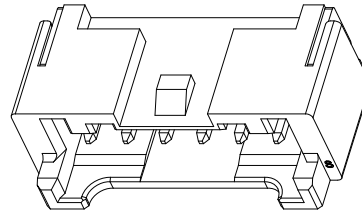
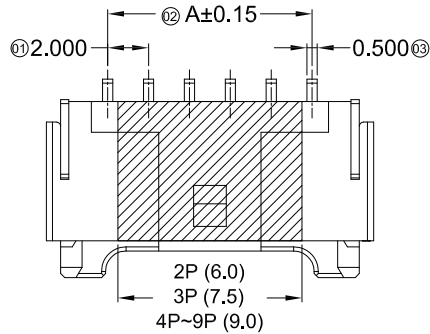
GENERAL TOLERANCE	
.X	±0.30
.XX	±0.20
.XXX	±0.10
X.°	±2°
PROJECT	
①	②

<b>GYA</b> Connectors	东莞市国亚电子有限公司 Dong Guan Guo Ya Connectors co., ltd.			
	APPROVAL	CHECK	DRAWN	DATE
	Yangzhengguo	Yangzhengyi	Lvtiansheng	2016/08/26

PART NO. 2000WRS-XX-XXSWXXX-S				
TITLE 2.00mm Crimp Style Connector				
UNIT	SCALE	SHEET	REV	NUMBER
mm	1:1	1/1	A0	A-000



RoHS



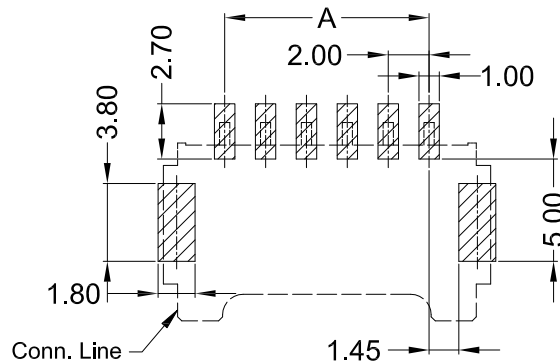
**Specifications :**

- Voltage rating: 250V AC / DC
- Current rating: 3A AC / DC
- Withstanding voltage: 800V AC/minute
- Temperature range: -40° ~+105°
- Insulation resistance: ≥1000MΩ
- Contact resistance: ≤10mΩ
- After environmental testing: ≤20mΩ

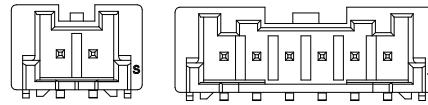
- Material(Pin): Brass
- Material(Solder Tabs): Brass
- Mates With GYA Housing : 2000H

2000 W R S-XX X -XX SW XX X  
 ① ② ③ ④ ⑤ ⑥ ⑦ ⑧ ⑨ ⑩

- ① Series No.
- ② Category: W-WAFER
- ③ Connector type: R-Right Angle 90°
- ④ Mounting type: S-SMT
- ⑤ Row No.-Pin No per row: XX-02P~16P
- ⑥ Special No.
- ⑦ Material: 9T -PA9T 94V-0; LP-LCP 94V-0
- ⑧ Plating code: SW- Matte Tin
- ⑨ Color: Blank-Natural Color ; BK-Black Color
- ⑩ Packing: Blank-Reel ,With Mylar  
R-Reel ,Without Mylar

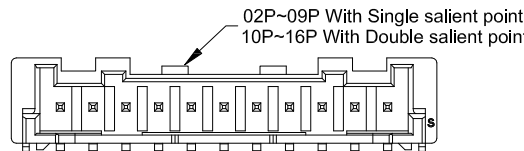


Recommended P.C.B Layout  
 General Tolerance±0.05



2P-4P  
 SCALE 1:0.8

5P-9P  
 SCALE 1:0.8



10P-16P  
 SCALE 1:0.8

Poles	Dimensions (mm)			Poles	Dimensions (mm)		
	AB	C			AB	C	
02	2.00	8.00	4.50	10	18.00	24.00	20.50
03	4.00	10.00	6.50	11	20.00	26.00	22.50
04	6.00	12.00	8.50	12	22.00	28.00	24.50
05	8.00	14.00	10.50	13	24.00	30.00	26.50
06	10.00	16.00	12.50	14	26.00	32.00	28.50
07	12.00	18.00	14.50	15	28.00	34.00	30.50
08	14.00	20.00	16.50	16	30.00	36.00	32.50
09	16.00	22.00	18.50				

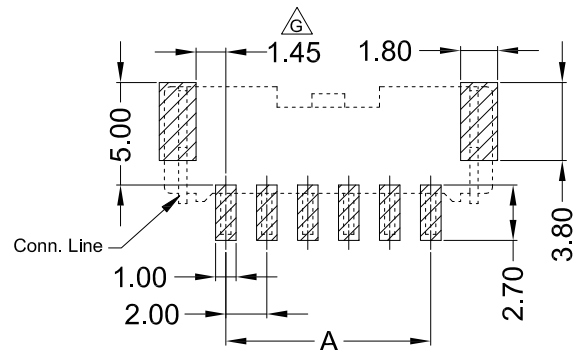
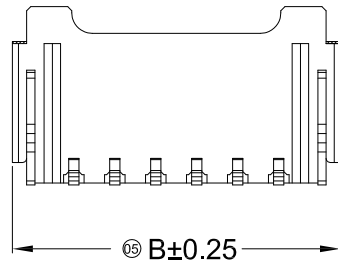
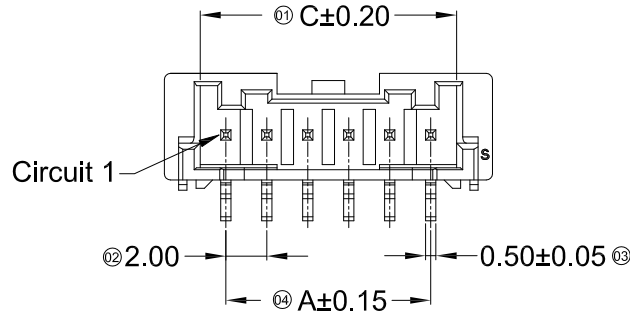
					GENERAL TOLERANCE				PART NO.						
					.X	±0.30			2000WRS-XX-XXSWXXX						
					.XX	±0.20			TITLE						
					.XXX	±0.10			2.00mm Crimp Style Connector						
					X.°	±2°			UNIT SCALE SHEET REV NUMBER						
DATE	REV	ECN NO	DESCRIPTION	MODIFY	APPROVAL	PROJECT	APPROVAL	CHECK	DRAWN	DATE	mm	1:1	1/1	A0	A-000
1						Yangzhengguo	Yangzhengyi	Lvtiansheng		2016/08/26					

**GYA** 东莞市国亚电子有限公司  
 Connectors Dong Guan Guo Ya Connectors co., ltd.

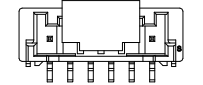
APPROVAL CHECK DRAWN DATE

Yangzhengguo Yangzhengyi Lvtiansheng 2016/08/26

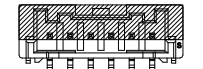
RoHS



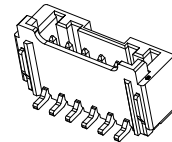
Recommended P.C.B Layout  
General Tolerance±0.05



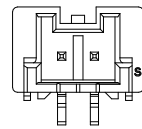
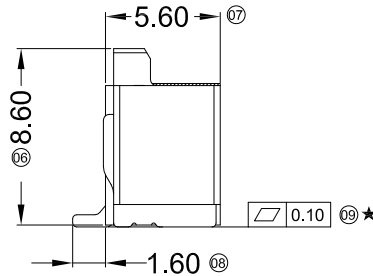
CAP (9-16P With CAP)  
SCALE 1:2



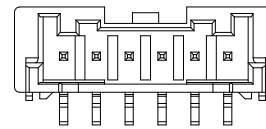
Mylar (2-8P With Mylar)  
SCALE 1:2



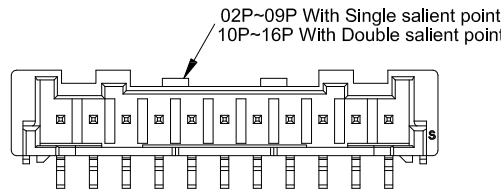
SCALE 1:2



2P-4P  
SCALE 0.8:1



5P-9P  
SCALE 0.8:1



10P-16P  
SCALE 0.8:1

■ Specifications :

- Voltage rating: 250V AC / DC
- Current rating: 3A AC / DC
- Withstanding voltage: 800V AC/minute
- Temperature range: -40° ~+105°
- Insulation resistance: ≥1000MΩ
- Contact resistance: ≤10mΩ
- After environmental testing: ≤20mΩ
- Material(Pin): Brass
- Material(Solder Tabs): Brass
- Mates With GYA Housing : 2000H
- "★" Critical dimension

2000 W V S-XX X -9T SW XX X -S

① ② ③ ④ ⑤ ⑥ ⑦ ⑧ ⑨ ⑩

- ① Series No.
- ② Category: W-WAFER
- ③ Connector type: V-Straight 180°
- ④ Mounting type: S-SMT
- ⑤ Pin number: XX-02P~16P
- ⑥ Plug the Pin & Special No.
- ⑦ Material: 9T -PA9T 94V-0
- ⑧ Plating Code: SN-Bright Tin ; SW-Matte Tin
- ⑨ Color : Blank-Natural Color
- ⑩ Packing: Blank-Reel ,2~8P With Mylar  
9-16P With CAP

R-Reel ,Without Mylar&CAP

Poles	Dimensions (mm)			Poles	Dimensions (mm)		
	AB	8.00	C		AB	24.00	C
02	2.00	8.00	4.50	10	18.00	20.50	20.50
03	4.00	10.00	6.50	11	20.00	22.50	22.50
04	6.00	12.00	8.50	12	22.00	24.50	24.50
05	8.00	14.00	10.50	13	24.00	26.50	26.50
06	10.00	16.00	12.50	14	26.00	28.50	28.50
07	12.00	18.00	14.50	15	28.00	30.50	30.50
08	14.00	20.00	16.50	16	30.00	32.50	32.50
09	16.00	22.00	18.50				

DATE	REV	ECN NO	DESCRIPTION	MODIFY	APPROVAL
1					
2					
3					
4					
5					

GENERAL TOLERANCE	
.X	±0.30
.XX	±0.20
.XXX	±0.10
X.°	±2°
PROJECT	
①	②

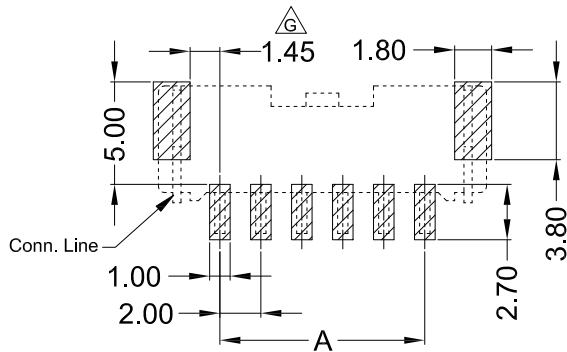
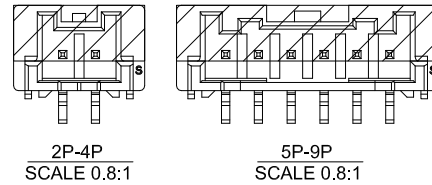
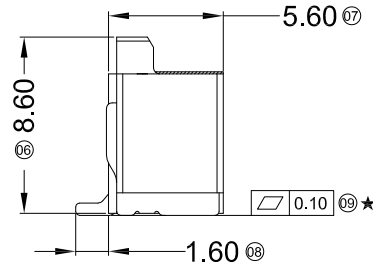
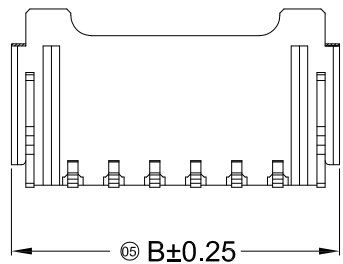
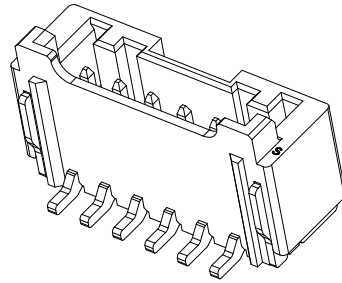
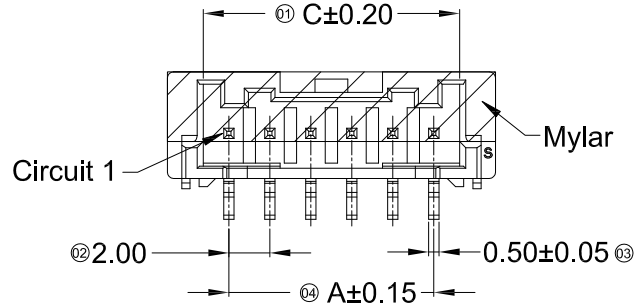


东莞市国亚电子有限公司  
Dong Guan Guo Ya Connectors co., ltd.

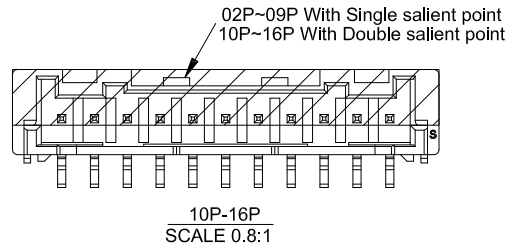
APPROVAL	CHECK	DRAWN	DATE
Yangzhengguo	Yangzhengyi	Lvtiansheng	2016/08/26

PART NO.				
2000WVS-XX-9TSWXXX-S				
TITLE				
2.00mm Crimp Style Connector				
UNIT	SCALE	SHEET	REV	NUMBER
mm	1:1	1/1	A0	A-000

RoHS



Recommended P.C.B Layout  
General Tolerance±0.05



■ Specifications :

- Voltage rating: 250V AC / DC
- Current rating: 3A AC / DC
- Withstanding voltage: 800V AC/minute
- Temperature range: -40° ~+105°
- Insulation resistance: ≥1000MΩ
- Contact resistance: ≤10mΩ
- After environmental testing: ≤20mΩ
- Material(Pin): Brass
- Material(Solder Tabs): Brass
- Mates With GYA Housing : 2000H
- "★" Critical dimension

2000 W V S-XX X -9T SW XX X  
① ② ③ ④ ⑤ ⑥ ⑦ ⑧ ⑨ ⑩

- ① Series No.
- ② Category: W-WAFER
- ③ Connector type: V-Stright 180°
- ④ Mouting type: S-SMT
- ⑤ Row No.-Pin No per row: XX-02P~16P
- ⑥ Plug the Pin & Special No.
- ⑦ Material: 9T -PA9T 94V-0  
LP-LCP 94V-0
- ⑧ Plating Code: SN-Bright Tin ; SW-Matte Tin
- ⑨ Color : Blank-Natural Color
- ⑩ Packing: Blank-Reel ,With Mylar  
R-Reel ,Without Mylar

Poles	Dimensions (mm)			Poles	Dimensions (mm)		
	AB	C			AB	C	
02	2.00	8.00	4.50	10	18.00	24.00	20.50
03	4.00	10.00	6.50	11	20.00	26.00	22.50
04	6.00	12.00	8.50	12	22.00	28.00	24.50
05	8.00	14.00	10.50	13	24.00	30.00	26.50
06	10.00	16.00	12.50	14	26.00	32.00	28.50
07	12.00	18.00	14.50	15	28.00	34.00	30.50
08	14.00	20.00	16.50	16	30.00	36.00	32.50
09	16.00	22.00	18.50				

GENERAL TOLERANCE

.X ±0.30

.XX ±0.20

.XXX ±0.10

X.° ±2°

PROJECT

① ②



东莞市国亚电子有限公司  
Dong Guan Guo Ya Connectors co., ltd.

APPROVAL

CHECK

DRAWN

DATE

Yangzhengguo

Yangzhengyi

Lvtiansheng

2016/08/26

PART NO.

2000WVS-XX-XXSWXXX

TITLE

2.00mm Crimp Style Connector

UNIT

SCALE

SHEET

REV

NUMBER

mm

1:1

1/1

A0

A-000

DATE	REV	ECN NO	DESCRIPTION	MODIFY	APPROVAL
1					
2					
3					
4					
5					

RoHS

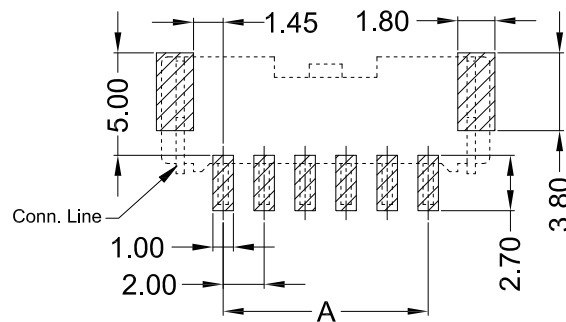
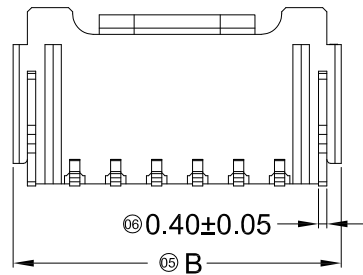
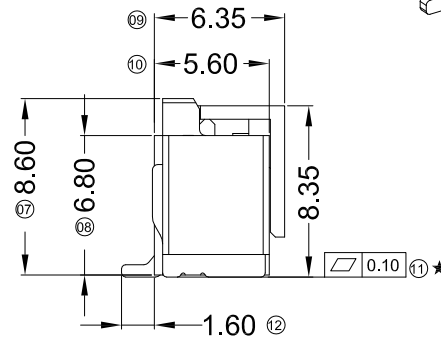
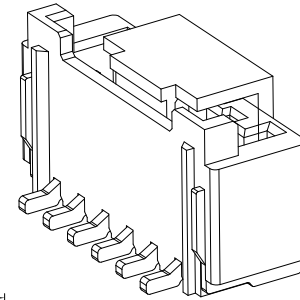
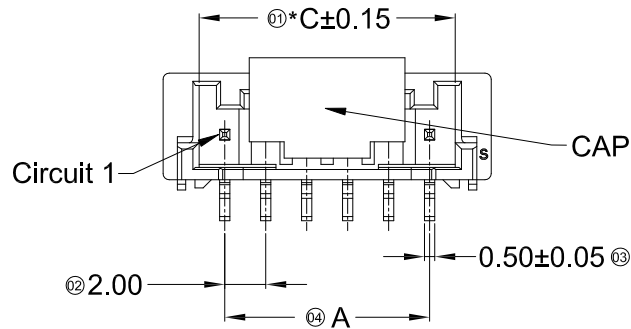
**Specifications :**

- Voltage rating: 250V AC / DC
- Current rating: 3A AC / DC
- Withstanding voltage: 800V AC/minute
- Temperature range: -40° ~+105°  $\triangle B$
- Insulation resistance:  $\geq 1000M\Omega$
- Contact resistance:  $\leq 10m\Omega$
- After environmental testing:  $\leq 20m\Omega$
- Material(Pin): Brass
- Material(Solder Tabs): Brass
- Mates With GYA Housing : 2000H
- " \* " Critical dimension

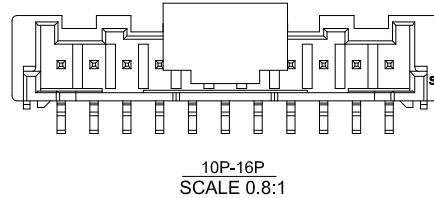
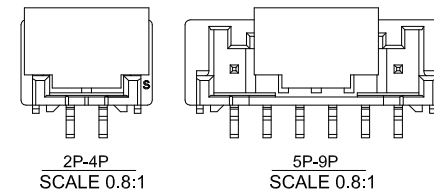
2000 W V S-XX X -9T SW XX X  
 ① ② ③ ④ ⑤ ⑥ ⑦ ⑧ ⑨ ⑩

- ① Series No.
- ② Category: W-WAFER
- ③ Connector type: V-Stright 180°
- ④ Mouting type: S-SMT
- ⑤ Row No.-Pin No: XX-02P~16P
- ⑥ Plug the Pin & Special No: C- With CAP
- ⑦ Material: 9T -PA9T 94V-0  
LP-LCP 94V-0
- ⑧ Plating Code: SW-Matte Tin
- ⑨ Color : Blank-Natural Color
- ⑩ Packing: Blank-Reel

Poles	Dimensions (mm)			Poles	Dimensions (mm)		
	AB	C			AB	C	
02	2.00	8.00	4.50	10	18.00	24.00	20.50
03	4.00	10.00	6.50	11	20.00	26.00	22.50
04	6.00	12.00	8.50	12	22.00	28.00	24.50
05	8.00	14.00	10.50	13	24.00	30.00	26.50
06	10.00	16.00	12.50	14	26.00	32.00	28.50
07	12.00	18.00	14.50	15	28.00	34.00	30.50
08	14.00	20.00	16.50	16	30.00	36.00	32.50
09	16.00	22.00	18.50				



Recommended P.C.B Layout  
 General Tolerance  $\pm 0.05$



DATE	REV	ECN NO	DESCRIPTION	MODIFY	APPROVAL
1					
2					
3					
4					
5					

GENERAL TOLERANCE	
.X	$\pm 0.30$
.XX	$\pm 0.20$
.XXX	$\pm 0.10$
X.°	$\pm 2^\circ$
PROJECT	



东莞市国亚电子有限公司  
 Dong Guan Guo Ya Connectors co., ltd.

APPROVAL	CHECK	DRAWN	DATE
Yangzhengguo	Yangzhengyi	Lvtiansheng	2016/08/26

PART NO. 2000WVS-XXC-XXSW				
TITLE 2.00mm Crimp Style Connector				
UNIT	SCALE	SHEET	REV	NUMBER
mm	1:1	1/1	A0	A-000