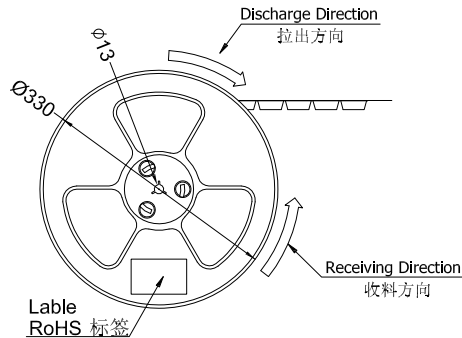
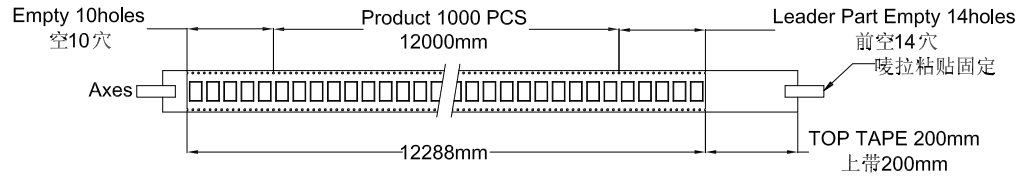
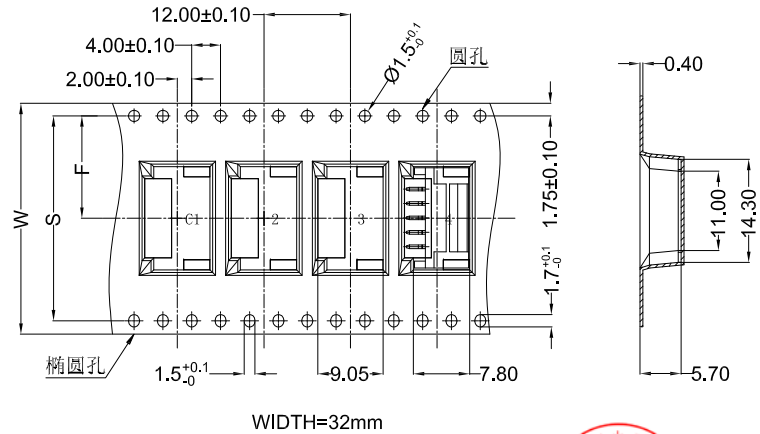
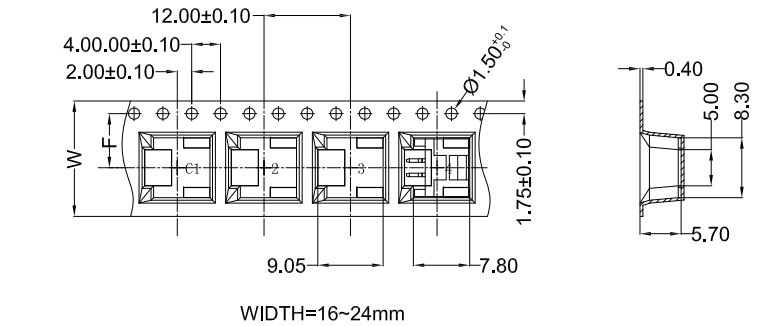
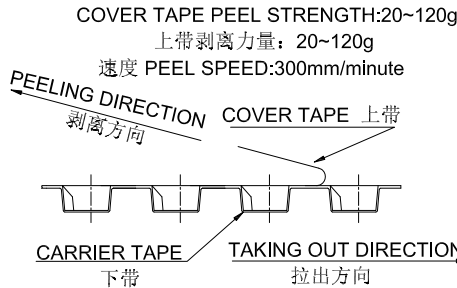
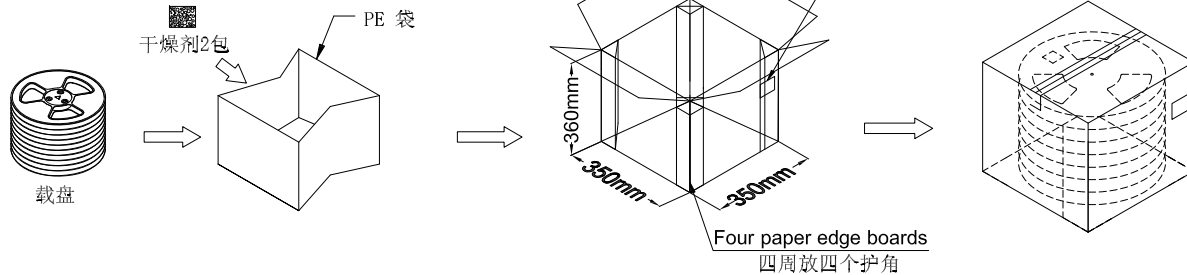


RoHS 包装图



Label RoHS 标签  
 Single hole: None Hole Side  
 单孔: 贴无链孔侧  
 Double hole: Elliptical Hole Side  
 双孔: 贴椭圆孔侧



Note:

- Carrier Camber Is Within 1mm In 100mm ; 带长100mm 内容许弯曲度1mm ;
- 10 Sprocket Hole Pitch Cumulative Tolerance±0.2MM ; 圆孔十个孔距累计允许公差为±0.2mm ;
- Material for PS Natural ; 材质为PS材质 透明色 ;
- Thickness=0.40±0.05 ; 材料厚度为0.40±0.05mm
- 在定量包装完成后, 上带须再超出载带200mm以上, 最后以唛拉粘帖固定, 并于REEL 盘上方贴合格标签和ROHS 标签各一张 ;
- 零箱部分, 出货时须用缓冲物填满 ;

Carrier Tape No.	W	S	F	T	G	Cover Tape (宽度) 上带 (W)	Carrier Tape(Color) 下带(颜色)	REEL /PCS	CARTON R	CARTON PCS
ZD2013WRS-02HF	16	/	7.50	20.5	16.4	13.3	透明色	1000	17	17000
ZD2013WRS-03HF	24	/	11.50	29.5	25.4	21.3		1000	12	12000
ZD2013WRS-04HF	32	28.4	15.50	36.5	32.4	25.5		1000	9	9000
ZD2013WRS-05HF										

GENERAL TOLERANCE

.X	±0.30
.XX	±0.20
.XXX	±0.10
X°	±0.2°



东莞市国亚电子有限公司  
 Dong Guan Guo Ya Connectors co., Ltd.

PART NO.

PPN: 2013WRS-XX-LPSNR  
 CTN: ZD2013WRS-XXHF

TITLE:

2.00mm Connectors 90° Package

APPROVAL CHECK DRAWN DATE

Yangzhengguo Yangzhengyi Lviansheng 2016/08/26

UNIT SCALE SHEET REV NUMBER

mm 1:1 1/1 A0 A-000

DATE REV ECN NO. DESCRIPTION MODIFY APPROVAL

