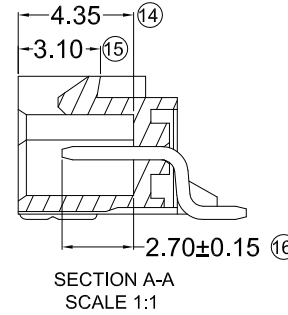
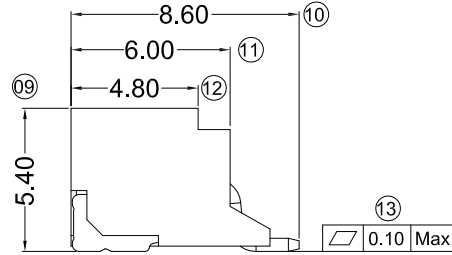
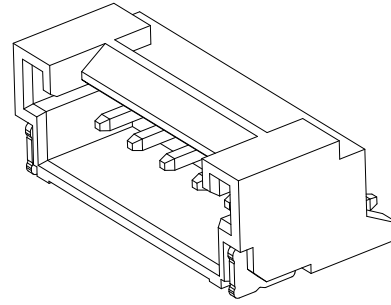
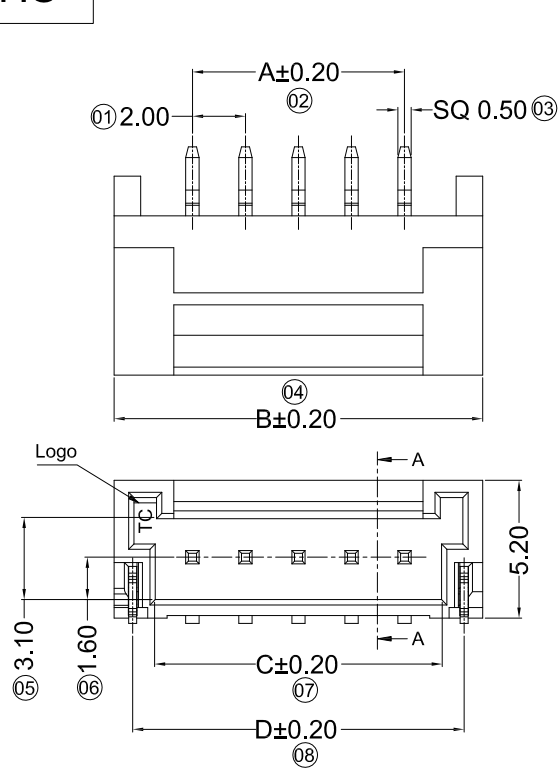


RoHS

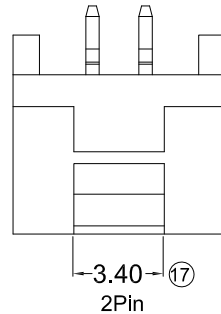
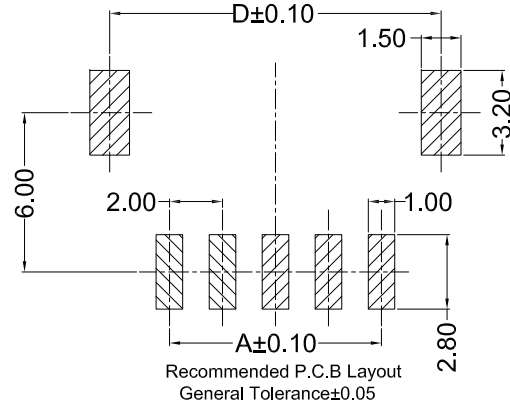


Specifications :

- Voltage rating: 100V AC / DC
- Current rating: 2.0A AC / DC
- Withstanding voltage: 800V AC/minute
- Temperature range: -50° ~+150°
- Insulation resistance: ≥1000MΩ
- Contact resistance: ≤10mΩ
- After environmental testing: ≤20mΩ
- Material(Pin): Brass
- Material(Solder Tab): Brass

2013 W R S - XX XX - LP SN XX R
 ① ② ③ ④ ⑤ ⑥ ⑦ ⑧ ⑨ ⑩

- ① Series No.
- ② Category: W-WAFER
- ③ Welding Board Angle: R-Right Angle 90°
- ④ Welding Way: S-SMT
- ⑤ Row No.-Pin No.: XX-02P~05P
- ⑥ Plug the Pin & Special No.:
- ⑦ Material: LP -LCP UL 94V-0
- ⑧ Plating Category: SN-Bright Tin Plating
- ⑨ Color : Blank-Natural Color
- ⑩ Packag: R-Reel



Poles	Dimensions (mm)			
	A	B	C	D
02	2.00	7.90	4.80	6.50
03	4.00	9.90	6.80	8.50
04	6.00	11.90	8.80	10.50
05	8.00	13.90	10.80	12.50

						GENERAL TOLERANCE	PART NO. 2013WRS-XX-LPSNR									
						.X ±0.30	TITLE 2.00mm Crimp Style Connectors									
						.XX ±0.20	APPROVAL	CHECK	DRAWN	DATE	UNIT	SCALE	SHEET	REV	NUMBER	
						.XXX ±0.10										
						X.° ±2°	PROJECT	Yangzhengguo	Yangzhengyi	Lvtiansheng	2016/08/26	mm	1:1	1/1	A0	A-000
DATE	REV	ECN NO.	DESCRIPTION	MODIFY	APPROVAL											
1																



东莞市国亚电子有限公司
 Dong Guan Guo Ya Connectors co., Ltd.