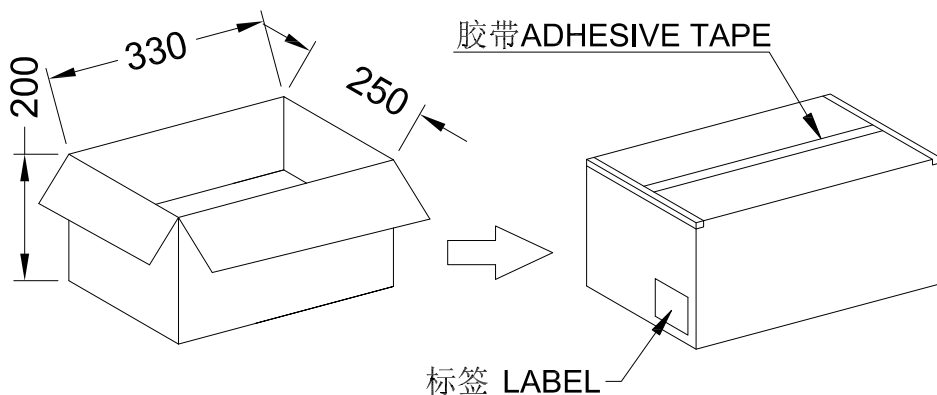
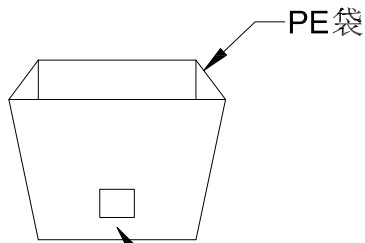
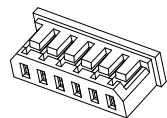


RoHS

包装图



Note注解:

- Put Housing in a PE bag, PE bag gauge for: 130 * 135 * 0.10 mm, Packing detail see the table below
将 Housing放入PE袋内, PE袋规为:130*135*0.10mm,详细包装见下表
- Put PE bag packed products in specifications of 330 * 250 * 300 mm cartons, Packing detail see the table below
将装好产品的PE袋放入规格为330*250*200mm的纸箱内, 详细包装见下表
- Label depends on customer request, carton opening joint with transparent tape
标签依客户要求而定, 纸箱开口处用透明胶带贴合.

| Poles | Bag PCS | CARTON Bag | CARTON PCS | Poles | Bag PCS | CARTON Bag | CARTON PCS |
|-------|---------|------------|------------|-------|---------|------------|------------|
| 02 | 1000 | 75 | 75K | 09 | 1000 | 75 | 75K |
| 03 | 1000 | 75 | 75K | 10 | 1000 | 75 | 75K |
| 04 | 1000 | 75 | 75K | 11 | 1000 | 75 | 75K |
| 05 | 1000 | 75 | 75K | 12 | 1000 | 75 | 75K |
| 06 | 1000 | 75 | 75K | 13 | 1000 | 75 | 75K |
| 07 | 1000 | 75 | 75K | 14 | 1000 | 75 | 75K |
| 08 | 1000 | 75 | 75K | 15 | 1000 | 75 | 75K |

| | | | | | GENERAL TOLERANCE .X ±0.30 .XX ±0.20 .XXX ±0.10 X° ±0.2° 视图 | | GYA 东莞市国亚电子有限公司 Connectors Dong Guan Guo Ya Connectors co., ltd. | | PART NO. 2012H-XX-XX | |
|------|-----|---------|-------------|--------|---|--|--|--|--|--|
| | | | | | APPROVAL Yangzhengguo | | CHECK Yangzhengyi | | DRAWN Lviansheng | |
| | | | | | DATE 2016/08/26 | | TITLE: 2.00mm Housing Package | | UNIT SCALE SHEET REV NUMBER mm 1:1 1/1 A0 A-106 | |
| DATE | REV | ECN NO. | DESCRIPTION | MODIFY | APPROVAL | | | | | |

RoHS

包装图

Note 注解:

1.Quantity 数量:

10K PCS/REEL 一卷10K/PCS

10 REEL/BOX 一箱10卷

100K PCS/BOX 一箱100K/PCS

2.Each reel and outer box must be labeled and Eco-Label Respectively labeled

每盘和外箱都必须有标签及环保标签分别标示

3.Terminal winding direction as shown

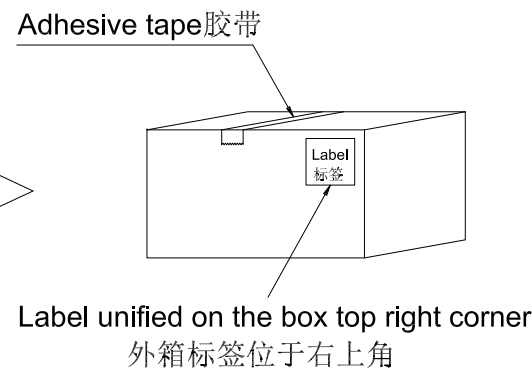
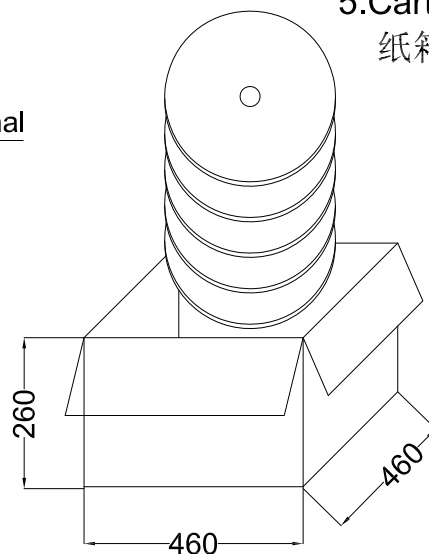
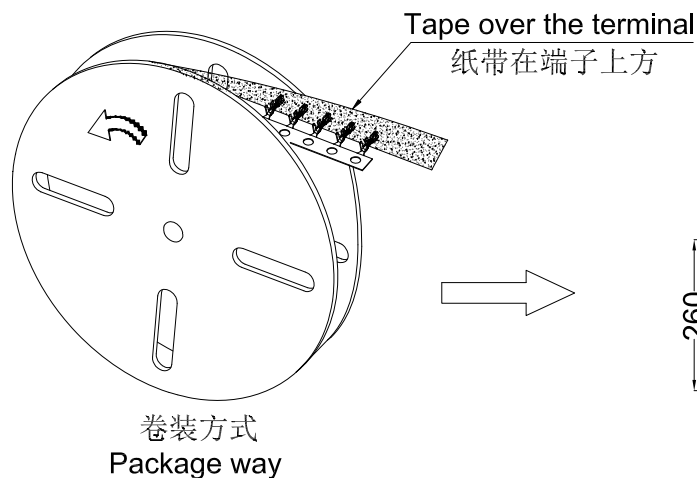
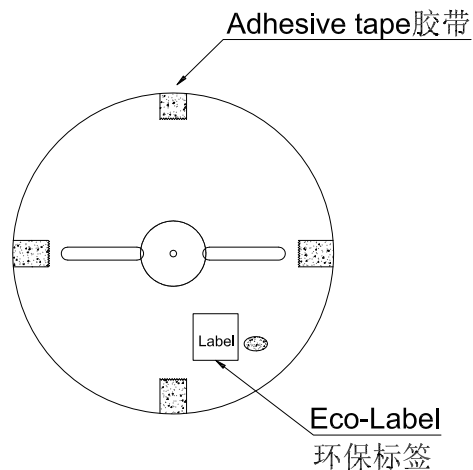
端子缠绕方向如左图所示

4.There shall be no dirt such as deformation phenomenon, Mantissa box fillers must be used

每箱不可有脏污, 变形现象, 尾数箱必须用填充物

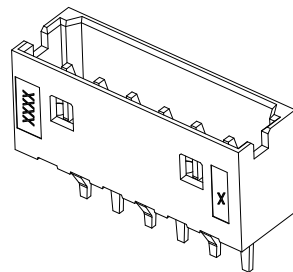
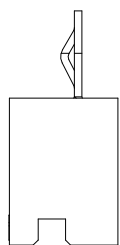
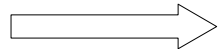
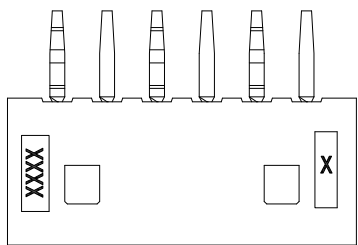
5.Carton material: K=K, Carton thickness: 6~7mm

纸箱材质:K=K, 纸箱厚度:6~7mm



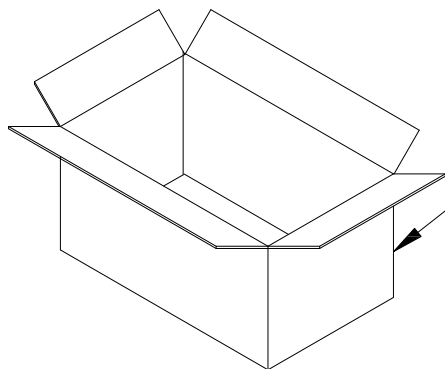
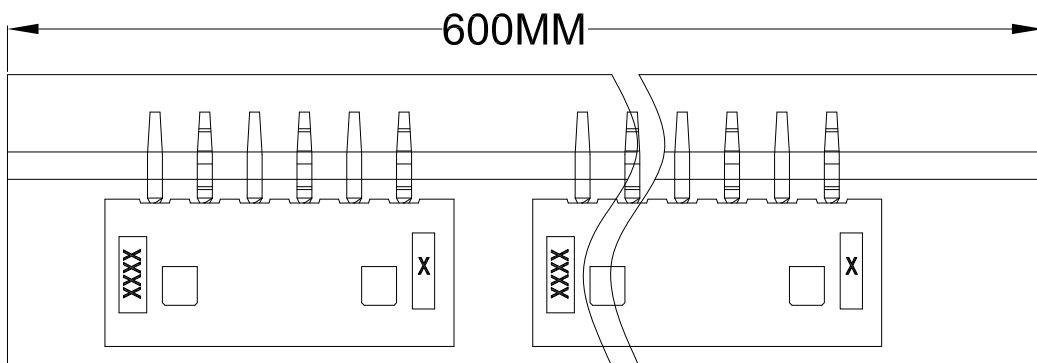
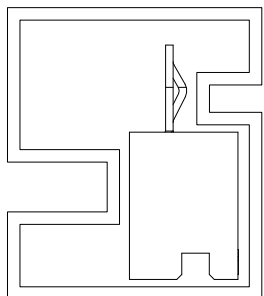
| | | | | | | | | | | | | | | | | |
|------|-----|---------|-------------|--------|---|--------------|-------------|-------------|--|------|-------|-------|--|--------|--|--|
| | | | | | GENERAL TOLERANCE .X ±0.30 .XX ±0.20 .XXX ±0.10 X° ±0.2° 视图 | | | | GYA 东莞市国亚电子有限公司 Connectors Dong Guan Guo Ya Connectors co., ltd. | | | | PART NO. 2012T-PXX TITLE: 2.00mm Terminal Packing | | | |
| DATE | REV | ECN NO. | DESCRIPTION | MODIFY | APPROVAL | APPROVAL | CHECK | DRAWN | DATE | UNIT | SCALE | SHEET | REV | NUMBER | | |
| | | | | | | Yangzhengguo | Yangzhengyi | Lvtiansheng | 2016/08/26 | mm | 1:1 | 1/1 | A0 | A-000 | | |

RoHS 包装图

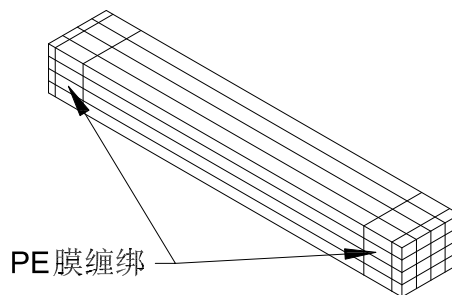


注意事项:

- 管子材质: 透明硬质环保PVC;
- 厚度: 0.40mm;
- 管子: 12.6*6.6*600mm
- 包装管两头含白色软塞.
- 纸箱: 64*11*17CM



Material: K=K



| | | |
|--------|-------|------|
| 1440 | 18 | 15P |
| 1520 | 19 | 14P |
| 1600 | 20 | 13P |
| 1760 | 22 | 12P |
| 1920 | 24 | 11P |
| 2080 | 26 | 10P |
| 2320 | 29 | 9P |
| 2560 | 32 | 8P |
| 2880 | 36 | 7P |
| 4000 | 41 | 6P |
| 3840 | 48 | 5P |
| 4640 | 58 | 4P |
| 5760 | 72 | 3P |
| 7680 | 96 | 2P |
| 1箱/PCS | 管/PCS | PIN位 |

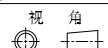
GENERAL TOLERANCE

.X ±0.30

.XX ±0.20

.XXX ±0.10

X° ±0.2°



GYA
Connectors

东莞市国亚电子有限公司
Dong Guan Guo Ya Connectors co., ltd.

APPROVAL

CHECK

DRAWN

DATE

Yangzhengguo

Yangzhengyi

Lvtiansheng

2016/08/26

PART NO.

2012WV-XX-N0XX

TITLE:

2.00mm Crimp Style Connectors

| UNIT | SCALE | SHEET | REV | NUMBER |
|------|-------|-------|-----|--------|
| mm | 1:1 | 1/1 | A0 | A-053 |

DATE

REV

ECN NO.

DESCRIPTION

MODIFY

APPROVAL

1

2

3

4

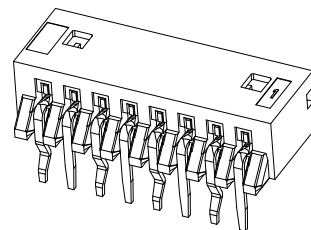
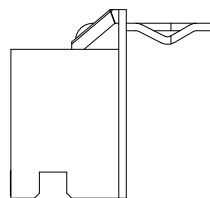
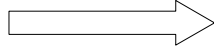
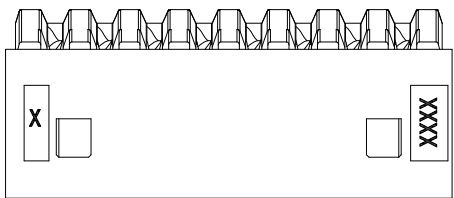
5

6

7

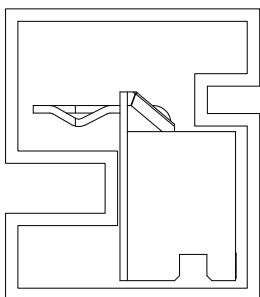
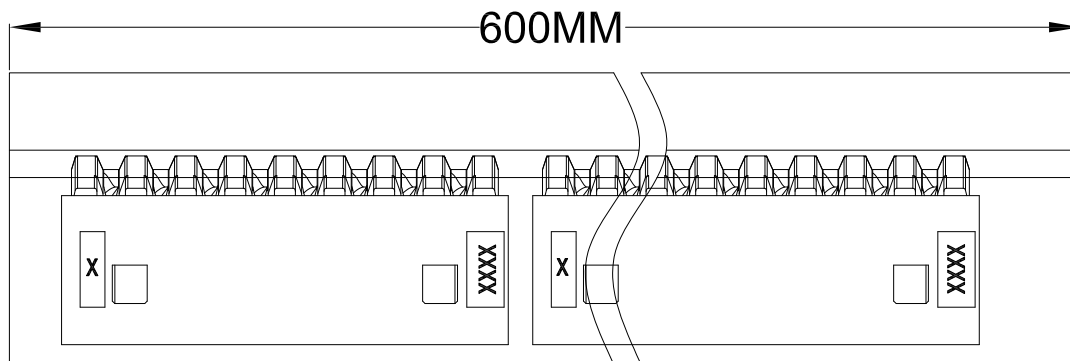
8

RoHS 包装图

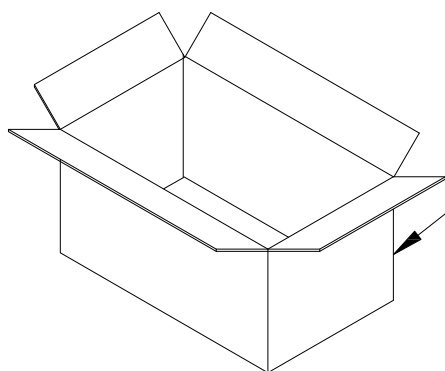


注意事项:

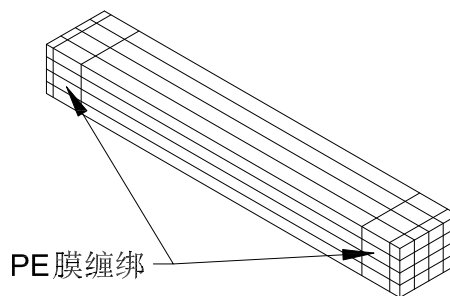
- 管子材质: 透明硬质环保PVC;
- 厚度: 0.40mm;
- 管子: 12.6*6.6*600mm
- 包装管两头含白色软塞.
- 纸箱: 64*11*17CM



| | | |
|--------|-------|------|
| 1440 | 18 | 15P |
| 1520 | 19 | 14P |
| 1600 | 20 | 13P |
| 1760 | 22 | 12P |
| 1920 | 24 | 11P |
| 2080 | 26 | 10P |
| 2320 | 29 | 9P |
| 2560 | 32 | 8P |
| 2880 | 36 | 7P |
| 4000 | 41 | 6P |
| 3840 | 48 | 5P |
| 4640 | 58 | 4P |
| 5760 | 72 | 3P |
| 7680 | 96 | 2P |
| 1箱/PCS | 管/PCS | PIN位 |



Material: K=K



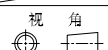
GENERAL TOLERANCE

.X ±0.30

.XX ±0.20

.XXX ±0.10

X° ±0.2°



东莞市国亚电子有限公司
Dong Guan Guo Ya Connectors co., ltd.

APPROVAL

CHECK

DRAWN

DATE

Yangzhengguo

Yangzhengyi

Lvtiansheng

2016/08/26

PART NO.

2012WR-XX-N0XX

TITLE:

2.00mm Crimp Style Connectors

| UNIT | SCALE | SHEET | REV | NUMBER |
|------|-------|-------|-----|--------|
| mm | 1:1 | 1/1 | A0 | A-053 |

DATE

REV

ECN NO.

DESCRIPTION

MODIFY

APPROVAL

1

2

3

4

5

6

7

8