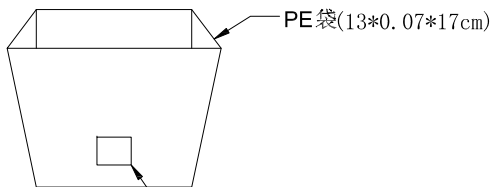


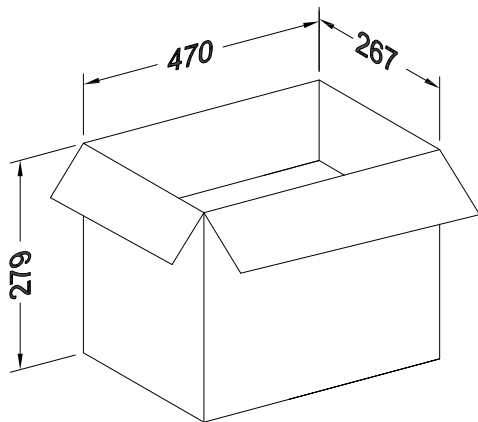


干燥剂



PE袋(13\*0.07\*17cm)

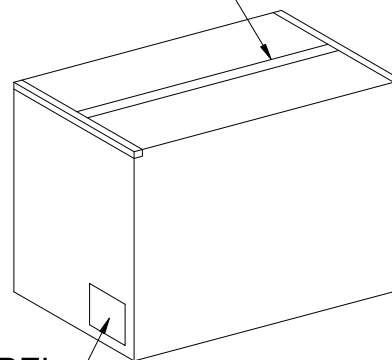
Lable 标签



纸箱



胶帶ADHESIVE TAPE



标签 LABEL

Note注解:

1. Put the housing in PE bag along with a bag of desiccant, then sealed the PE bag and paste a label.  
将 Housing放入PE袋内, 并放入一包干燥剂, 并将PE袋封好. 贴上标签.
2. Put PE bag packed products in cartons, Packing detail see the table below  
将装好产品的PE袋放入纸箱内, 详细包装见下表
3. Label depends on customer request, carton opening joint with transparent tape  
标签依客户要求而定, 纸箱开口处用透明胶带贴合.
4. Carton material 纸箱材质:K=K; Carton Thickness 纸箱厚度: 6~7mm



Pin 位 Poles	袋Bag PCS	箱 Box PCS
02	1000	80000
03	1000	70000
04	1000	60000
05	1000	45000
06	1000	40000
07	1000	35000
08	1000	30000
09	1000	25000
10	1000	25000

GENERAL TOLERANCE

.X ±0.35

.XX ±0.25

.XXX ±0.15

X° ±0.2°

視 角



东莞市国亚电子有限公司  
Dong Guan Guo Ya Connectors co., ltd.

PART NO.

2008H-XX-PT

TITLE:

2.00mm Housing Packing

APPROVAL

CHECK

DRAWN

DATE

Yangzhengguo

Yangzhengyi

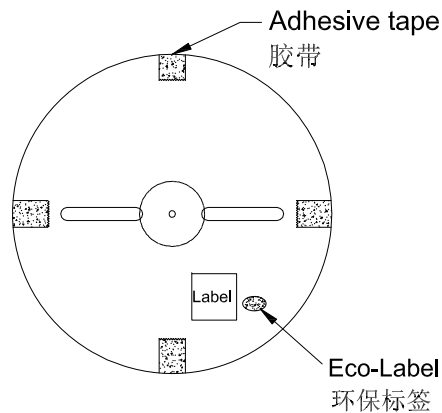
Lvtiansheng

2016/08/26

UNIT SCALE SHEET REV NUMBER

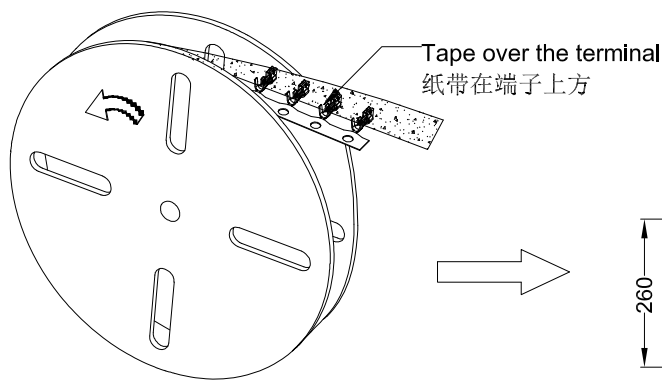
mm 1:1 1/1 A0 A-022

DATE	REV	ECN NO.	DESCRIPTION	MODIFY	APPROVAL
1					

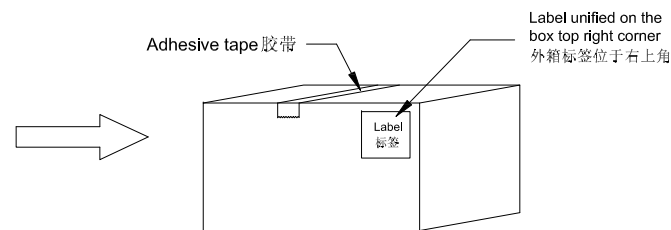
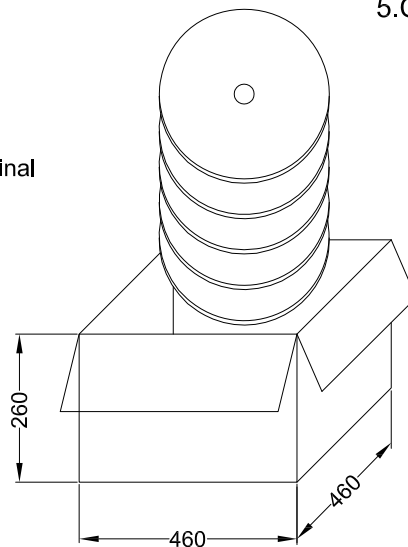


Note 注解:

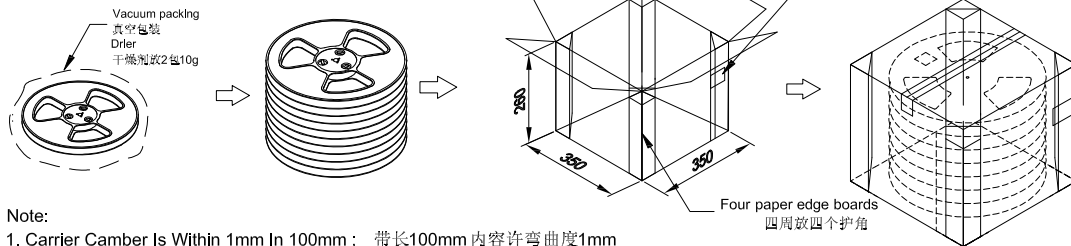
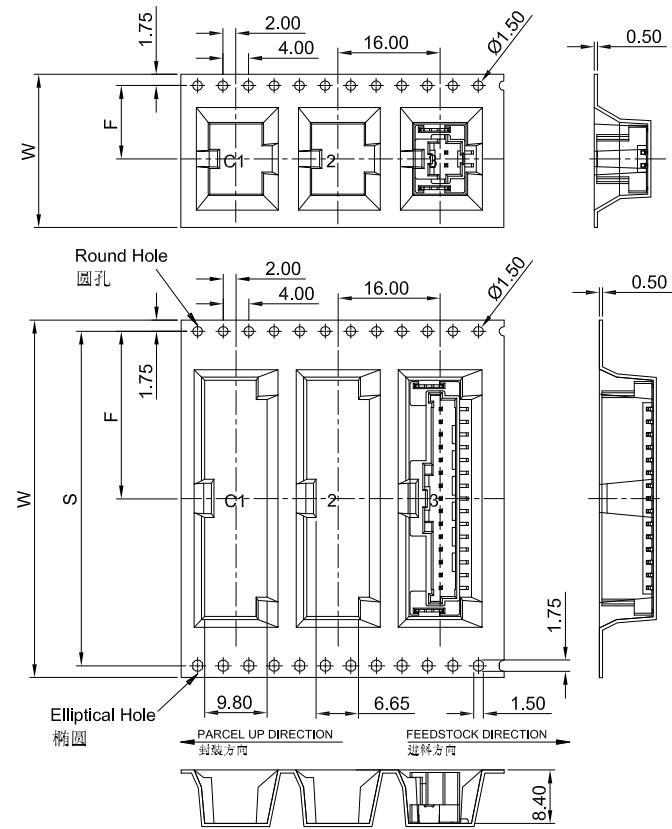
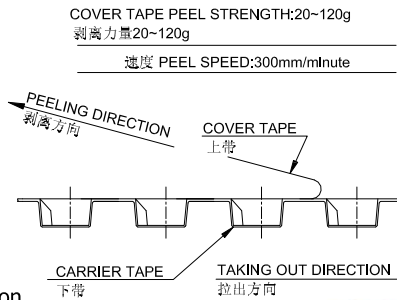
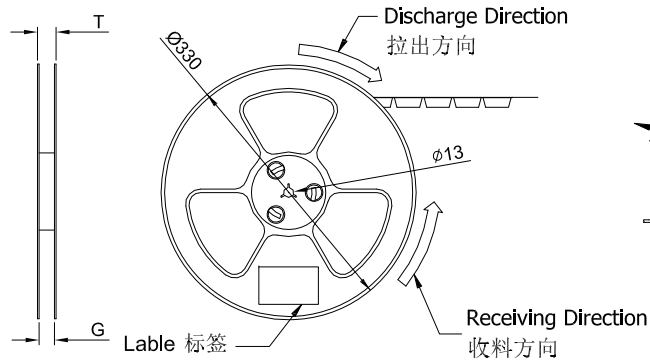
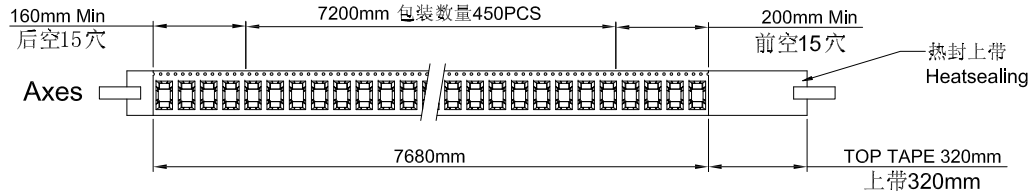
- Quantity 数量:  
10K PCS/REEL 一卷10K/PCS  
10 REEL/BOX 一箱10卷  
100K PCS/BOX 一箱100K/PCS
- Each reel and outer box must be labeled and Eco-Label Respectively labeled  
每盘和外箱都必须有标签及环保标签分别标示
- Terminal winding direction as shown  
端子缠绕方向如左图所示
- There shall be no dirt such as deformation phenomenon, Mantissa box fillers must be used  
每箱不可有脏污, 变形现象, 尾数箱必须用填充物
- Carton material: K=K, Carton thickness: 6±1mm  
纸箱材质:K=K, 纸箱厚度:6~7mm



卷装方式  
Package way



				GENERAL TOLERANCE		GYA 东莞市国亚电子有限公司 Connectors Dong Guan Guo Ya Connectors co., ltd.				PART NO. 2008TX-PXX	
				.X ±0.35		APPROVAL				TITLE: 2.00mm Terminal Packing	
				.XX ±0.25		CHECK				UNIT	
				.XXX ±0.15		DRAWN				SCALE	
				X° ±0.2		DATE				SHEET	
DATE	REV	ECN NO.	DESCRIPTION	MODIFY	APPROVAL	Yangzhengguo	Yangzhengyi	Lvtiansheng	2016/08/26	REV	NUMBER
1										A0	A-000
										1/1	
										1:1	



- Note:
- Carrier Camber Is Within 1mm In 100mm; 带长100mm 内容许弯曲度1mm
  - 10 Sprocket Hole Pitch Cumulative Tolerance±0.2MM; 圆孔十个孔孔距累计允许公差为±0.2mm
  - Carrier tape Material for PS; 下带材质为PS材质; Color 颜色: Natural 透明色
  - Bracer 保护带; Color 颜色: Natural 透明色; 厚度0.40mm 最小
  - Thickness=0.50±0.05; 材料厚度为0.50±0.05mm
  - Carton material 纸箱材质:K=K; Carton Thickness 纸箱厚度: 6~7mm

Carrier Tape No. 载带料号	W	S	F	T	G	Cover Tape(W) 上带(宽度)	Carrier Tape(Color) 下带(颜色)	REEL 卷/PCS	CARTON 箱/R	CARTON 箱/PCS
ZD2008WVS-03HF								450	7R	3150
ZD2008WVS-04HF										
ZD2008WVS-05HF	32	28.4	14.2	36.50	32.50	25.5				
ZD2008WVS-06HF										
ZD2008WVS-07HF										
ZD2008WVS-08HF	44	40.4	20.2	48.50	44.50	37.5	透明色	450	5R	2250
ZD2008WVS-09HF										
ZD2008WVS-10HF										
ZD2008WVS-11HF										
ZD2008WVS-12HF										
ZD2008WVS-13HF										
ZD2008WVS-14HF	56	52.4	26.2	60.50	56.50	49.5		450	4R	1800
ZD2008WVS-15HF										

GENERAL TOLERANCE

.X	±0.35
.XX	±0.25
.XXX	±0.15
X°	±0.2°

**GYA** 东莞市国亚电子有限公司  
Connectors Dong Guan Guo Ya Connectors co., ltd.

PART NO.  
CTN: ZD2008WVS-XXHF  
PPN:2008WVS-1xXX-9TNB05RR02CQ

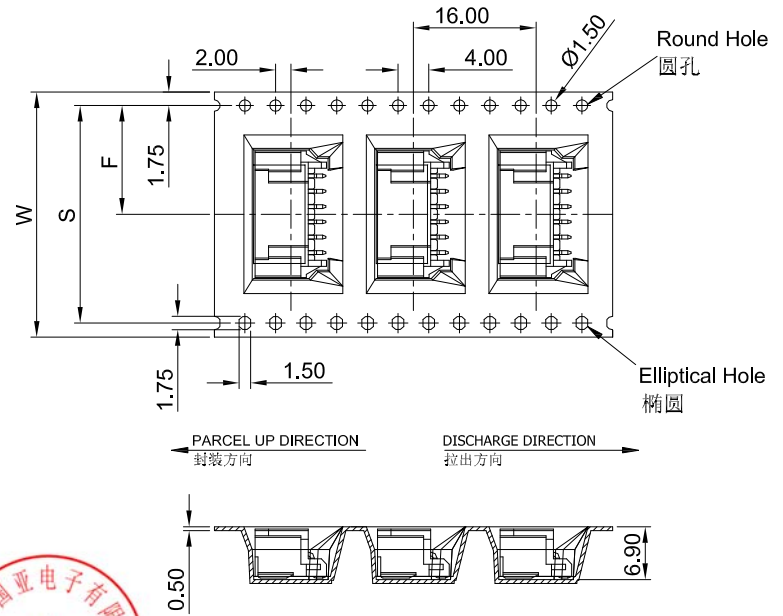
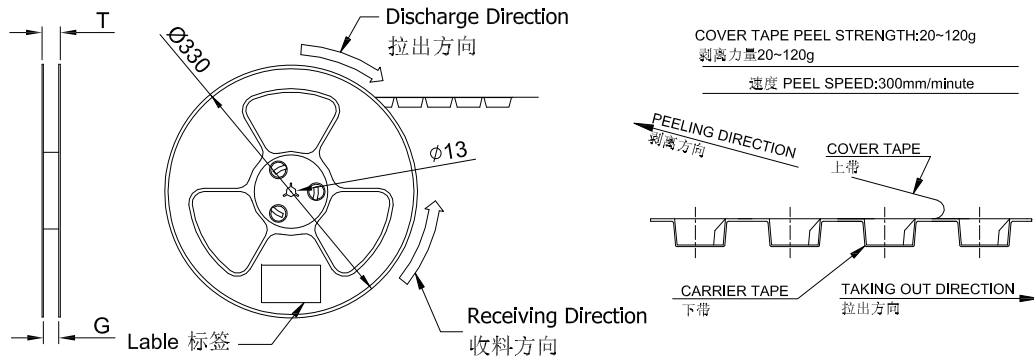
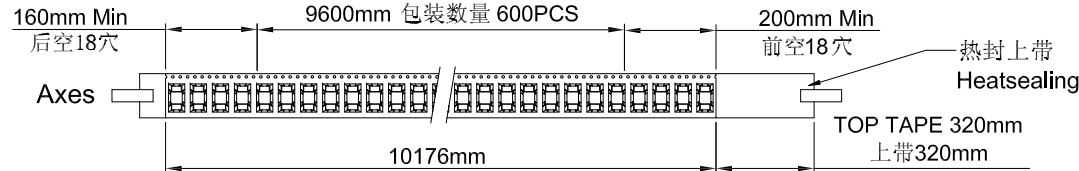
APPROVAL CHECK DRAWN DATE

Yangzhengguo Yangzhengyi Lviansheng 2016/08/26

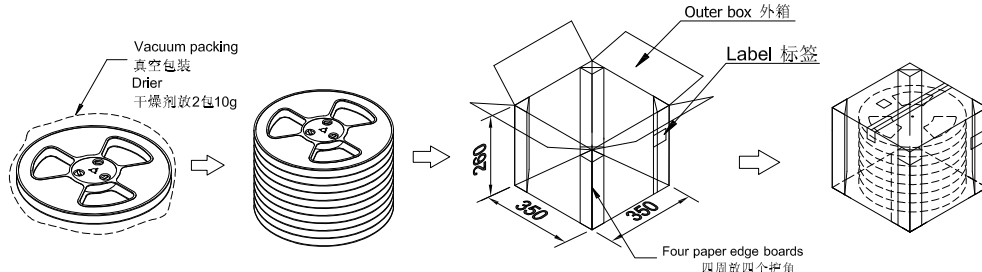
TITLE:  
Pitch 2.00 mm 180° Wafer Connectors Packing

UNIT	SCALE	SHEET	REV	NUMBER
mm	1 : 1	1/1	A0	A-000

DATE	REV	ECN NO.	DESCRIPTION	MODIFY	APPROVAL
1					
2					
3					
4					
5					



Single hole: None Hole Side  
 单孔: 贴无链孔侧  
 Double hole: Elliptical Hole Side  
 双孔: 贴椭圆孔侧



- Note:**
- Carrier Camber Is Within 1mm In 100mm ; 带长100mm 内容许弯曲度1mm
  - 10 Sprocket Hole Pitch Cumulative Tolerance±0.2MM ; 圆孔十个孔距累积允许公差为±0.2mm
  - Carrier tape Material for PS ; 下带材质为PS材质 ; Color颜色: Natural透明色
  - Bracer保护带: Color颜色: Natural透明色 ; 厚度0.40mm最小
  - Thickness=0.50±0.05 ; 材料厚度为0.50±0.05mm
  - Carton material 纸箱材质:K=K ; Carton Thickness 纸箱厚度: 6~7mm

Carrier Tape No. 载带料号	W	S	F	T	G	Cover Tape(W) 上带(宽度)	Carrier Tape(Color) 下带(颜色)	REEL 卷 /PCS	CARTON 箱/R	CARTON 箱/PCS
ZD2008WRS-02HF-CC	24	-	11.5	28.50	24.50	21.3	透明色	600	8R	4800
ZD2008WRS-03HF-CC										
ZD2008WRS-04HF-CC										
ZD2008WRS-05HF-CC										
ZD2008WRS-06HF-CC										
ZD2008WRS-07HF-CC	32	28.4	14.2	36.50	32.50	25.5	透明色	600	7R	4200
ZD2008WRS-08HF-CC										
ZD2008WRS-09HF-CC										
ZD2008WRS-10HF-CC										
ZD2008WRS-11HF-CC	44	40.4	20.2	48.50	44.50	37.5	透明色	600	5R	3000
ZD2008WRS-12HF-CC										
ZD2008WRS-13HF-CC										
ZD2008WRS-14HF-CC										
ZD2008WRS-15HF-CC										

GENERAL TOLERANCE	
.X	±0.35
.XX	±0.25
.XXX	±0.15
X°	±0.2°

**GYA** 东莞市国亚电子有限公司  
 Dong Guan Guo Ya Connectors co., Ltd.

APPROVAL	CHECK	DRAWN	DATE
Yangzhengguo	Yangzhengyi	Lvtiansheng	2016/08/26

PART NO. CTN: ZD2008WRS-XXHF-CC  
 PPN:2008WRS-XX-XXSWR-CC  
 PPN:2008WRS-1XXX-9TNB05RR02CQ

TITLE:				
Pitch 2.00 mm 90° Wafer Connectors Packing				
UNIT	SCALE	SHEET	REV	NUMBER
mm	1:1	1/1	A0	A-000

DATE	REV	ECN NO.	DESCRIPTION	MODIFY	APPROVAL