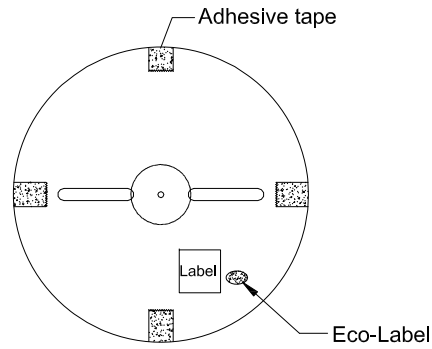


RoHS

包装图



Note 注解:

1.Quantity 数量:

5K PCS/REEL 一卷5K/PCS

10 REEL/BOX 一箱10卷

50K PCS/BOX 一箱50K/PCS

2.Each reel and outer box must be labeled and Eco-Label Respectively labeled

每盘和外箱都必须有标签及环保标签分别标示

3.Terminal winding direction as shown

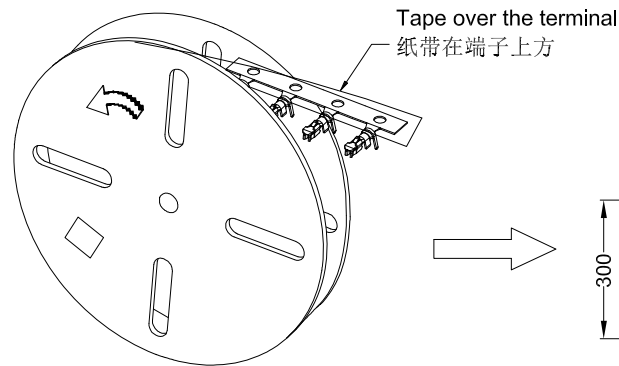
端子缠绕方向如左图所示

4.There shall be no dirt such as deformation phenomenon, Mantissa box fillers must be used

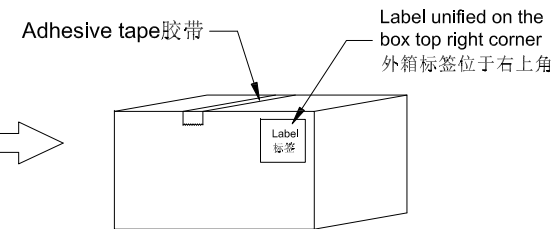
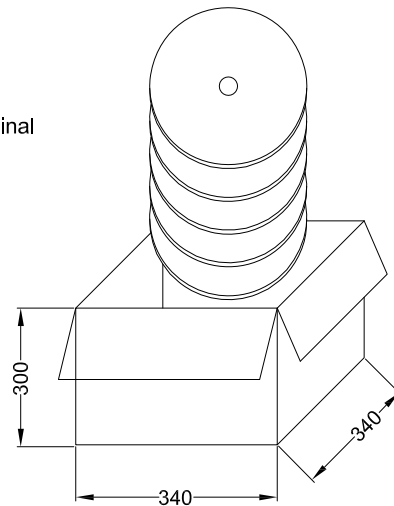
每箱不可有脏污, 变形现象, 尾数箱必须用填充物

5.Cartan material 纸箱材质:K=K;

Carton Thickness 纸箱厚度: 6~7mm



卷装方式
Package way



GENERAL TOLERANCE

.X ±0.35

.XX ±0.25

.XXX ±0.15

X° ±0.2°

视 编

⊕



东莞市国亚电子有限公司
Dong Guan Guo Ya Connectors co., ltd.

APPROVAL

CHECK

DRAWN

DATE

Yangzhengguo

Yangzhengyi

Lvtiansheng

2016/08/26

PART NO.

2007T-PXX

TITLE:

2.00mm Terminal Packing

UNIT	SCALE	SHEET	REV	NUMBER
------	-------	-------	-----	--------

mm	1:1	1/1	A0	A-000
----	-----	-----	----	-------

DATE

REV

ECN NO.

DESCRIPTION

MODIFY

APPROVAL

1

2

3

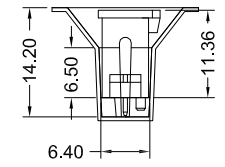
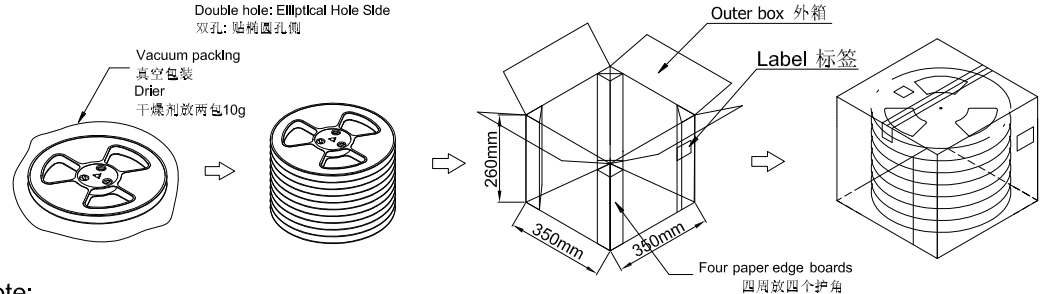
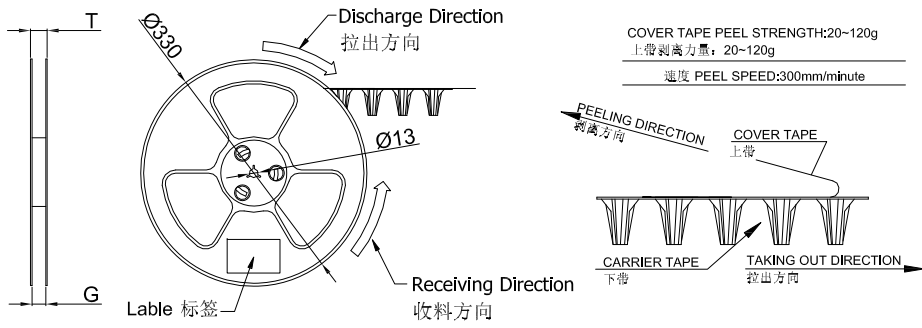
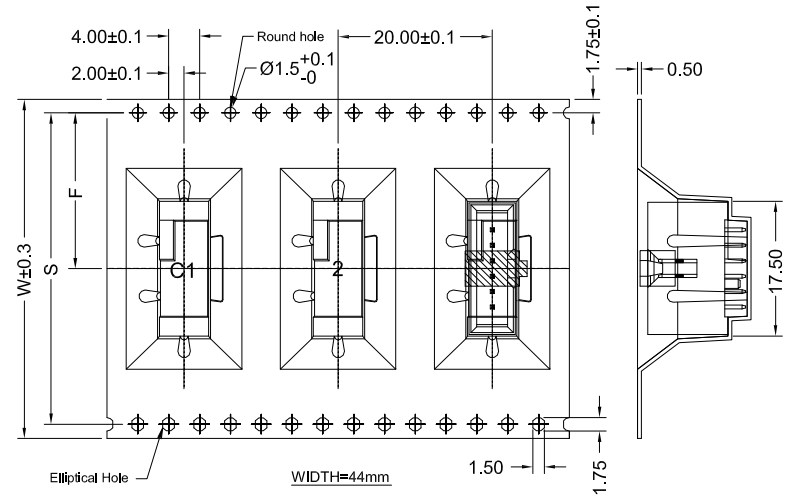
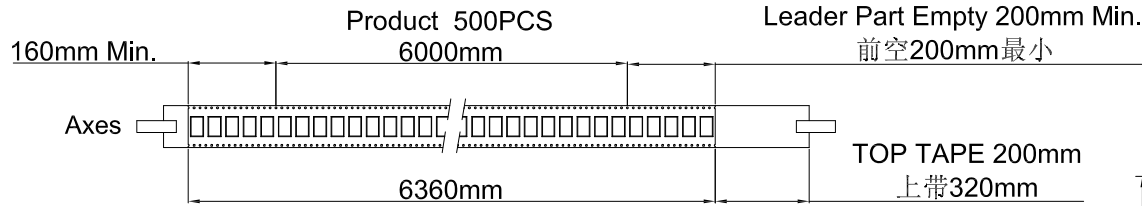
4

5

6

7

8



Note:

- Carrier Camber Is Within 1mm In 100mm ; 带长100mm内容许弯曲度1mm
- 10 Sprocket Hole Pitch Cumulative Tolerance±0.2MM ; 圆孔十个孔距离累计允许公差为±0.2mm
- Material for PS ; 材质为PS材质; Color颜色:Nature本色
- bracer保护带: Color颜色:Nature本色; 厚度0.40mm最小
- Thickness=0.50±0.05 ; 材料厚度为0.50±0.05mm
- Cover Tape上带: 冷封
- Carton material纸箱材质:K=K; Carton Thickness纸箱厚度: 6~7mm

2007WV-06PC-LPG15 ZD2007WV-06PCHF	Carrier Tape No. 载带料号	W	S	F	T	G	Cover Tape(W) 上带(宽度)	Carrier Tape(Color) 下带(颜色)	REEL /PCS	CARTON /R	CARTON /PCS
	ZD2007WV-06PCHF	44	40.4	20.2	48.50	44.50	37.5	透明色	200	5R	1000

GENERAL TOLERANCE	
.X	±0.35
.XX	±0.25
.XXX	±0.15
X°	±0.2°
视图	

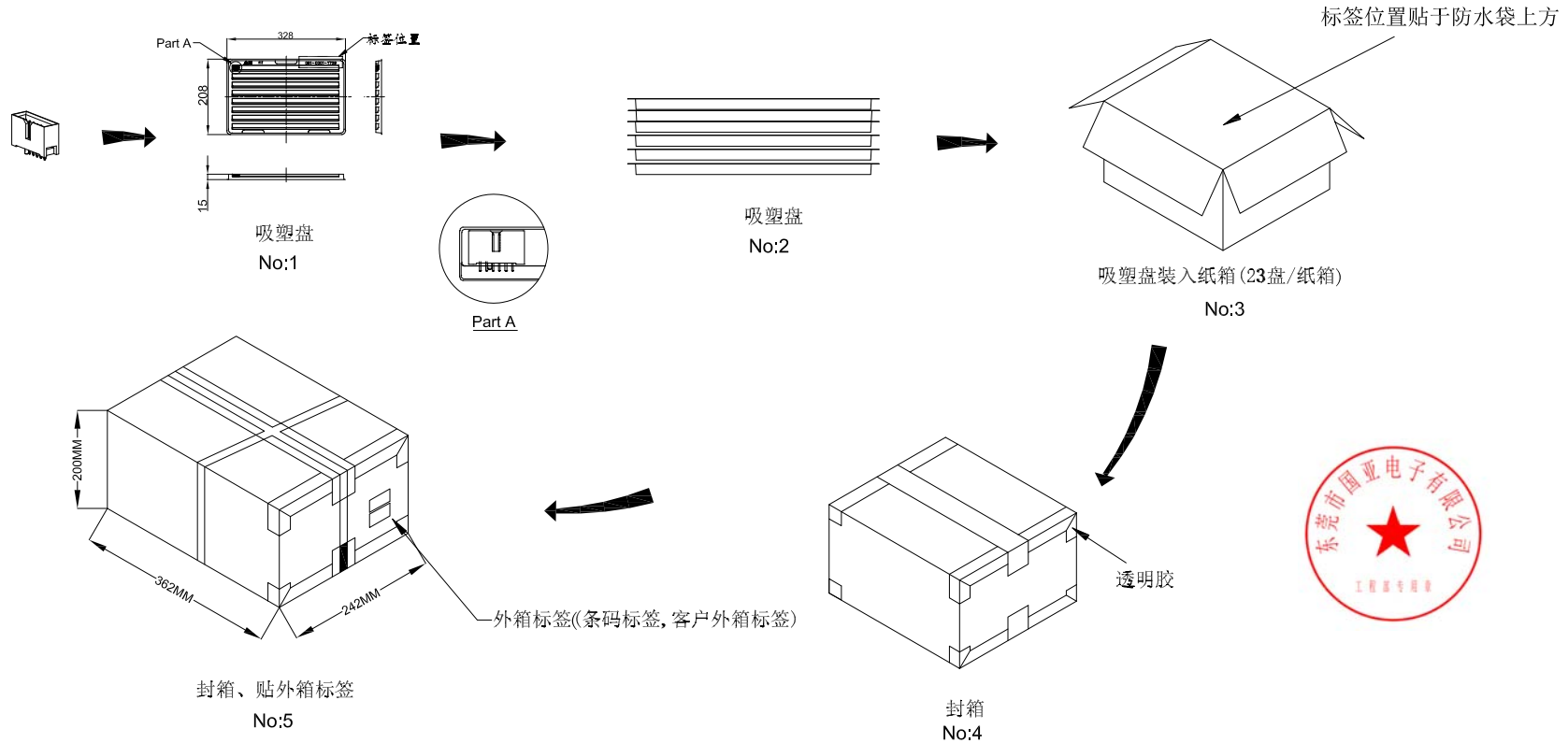
GYA 东莞市国亚电子有限公司
Connectors Dong Guan Guo Ya Connectors co., ltd.

PART NO.				
PPN:2007WV-06PC-LPG15 CTN: ZD2007WV-06PCHF				
TITLE: 2.00mm Connectors 180° Packing				
UNIT	SCALE	SHEET	REV	NUMBER
mm	1:1	1/1	A0	A-203

DATE	REV	ECN NO.	DESCRIPTION	MODIFY	APPROVAL
1					
2					
3					
4					
5					
6					
7					
8					

RoHS

包装图



包装说明:
 步骤1: 将成品缺口朝上依序放入槽中, 一摆放满后, 包装盘右方中间贴 上标签 (081-0001-081), 注明料号, 数量等。
 步骤2: 箱底及四壁各放珍珠棉一片, 再放入防水袋1PCS, 将箱底放置一空盘, 然后将装满成品之包装盘置于箱中, 每箱装有23 盘成品及上再覆一空盘, 防水袋内共放置3PCS干燥剂
 步骤3: 折好防水袋, 防水袋上方放珍珠棉1PCS以胶带将外箱封牢, 并于外箱侧贴上(1) 成品检验合格标签(2) 成品包装标签 (3) 成品出货标签。

料号	PIN	每盘/PCS	每盘/箱	每箱/PCS
2007WV-06XX-XXXX	06	136	23	3128

						GENERAL TOLERANCE				PART NO.				
						.X ±0.35				2007WV-XX-XXXX				
						.XX ±0.25				TITLE:				
						.XXX ±0.15				2.00mm DIP Vertical Package				
						X° ±0.2°				UNIT SCALE SHEET REV NUMBER				
DATE	REV	ECN NO.	DESCRIPTION	MODIFY	APPROVAL	APPROVAL	CHECK	DRAWN	DATE	mm	1:1	1/1	A0	A-000
						Yangzhengguo	Yangzhengyi	Lvtiansheng	2016/08/26					



东莞市国亚电子有限公司
Dong Guan Guo Ya Connectors co., ltd.

