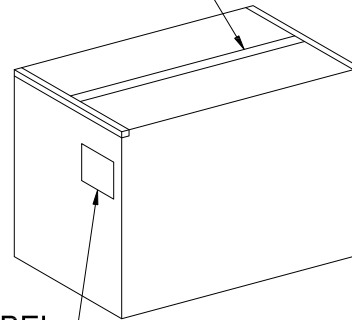


胶带ADHESIVE TAPE



标签LABEL

Note注解:

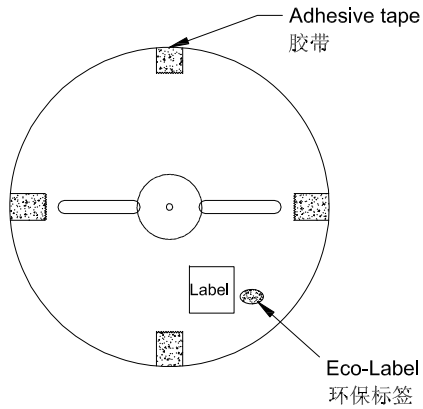
1. Place Housing into PE bag and seal PE bag. Label.
将 Housing放入PE袋内, 并将PE袋封好. 贴上标签.
2. Put PE bag packed products in cartons, Packing detail see the table below
将装好产品的PE袋放入纸箱内, 详细包装见下表
3. Label depends on customer request, carton opening joint with transparent tape
标签依客户要求而定, 纸箱开口处用透明胶带贴合.
4. There shall be no dirt such as deformation phenomenon,
Mantissa box fillers must be used
每箱不可有脏污, 变形现象, 尾数箱必须用填充物
5. Carton material: K=K, Carton thickness: 6~7mm
纸箱材质:K=K, 纸箱厚度:6~7mm

PIN数	PE袋PE Bag		纸箱Carton		合计Total
	PCS/PE PCS/袋	尺寸Size(cm)	Bag/Carton 数量	尺寸Size(cm)	PCS/ Carton PCS/箱
02	1000	13*17	150	44*29.5*41.5	150,000
03	1000	13*17	135	44*29.5*41.5	135,000
04	1000	18.5*20.5	105	44*29.5*41.5	105,000
05	1000	18.5*20.5	83	44*29.5*41.5	83,000
06	1000	18.5*20.5	68	44*29.5*41.5	68,000
07	1000	18.5*20.5	60	44*29.5*41.5	60,000
08	1000	18.5*20.5	60	44*29.5*41.5	60,000
09	1000	18.5*20.5	45	44*29.5*41.5	45,000
10	1000	18.5*20.5	45	44*29.5*41.5	45,000
11	1000	20.5*26	40	44*29.5*41.5	40,000
12	1000	20.5*26	38	44*29.5*41.5	38,000
13	1000	20.5*26	32	44*29.5*41.5	32,000
14	1000	22.5*30.5	30	44*29.5*41.5	30,000
15	1000	22.5*30.5	27	44*29.5*41.5	27,000
16	1000	22.5*30.5	15	44*29.5*41.5	15,000

					GENERAL TOLERANCE		东莞市国亚电子有限公司 Dong Guan Guo Ya Connectors co., ltd.		PART NO. 2004H-XX-XXXX						
					.X ±0.35				TITLE: 2.00mm Housing Packing						
					.XX ±0.25		APPROVAL	CHECK	DRAWN	DATE	UNIT	SCALE	SHEET	REV	NUMBER
					.XXX ±0.15		Yangzhengguo	Yangzhengyi	Lvtiansheng	2016/08/26	mm	1 : 1	1/1	A0	A-022
					X° ±0.2°										
DATE	REV	ECN NO.	DESCRIPTION	MODIFY	APPROVAL										

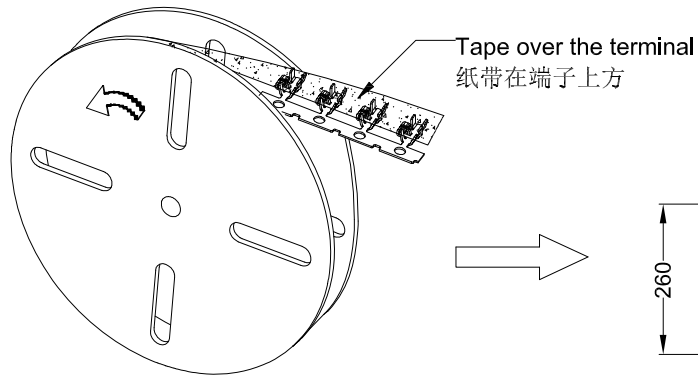
RoHS

包装图

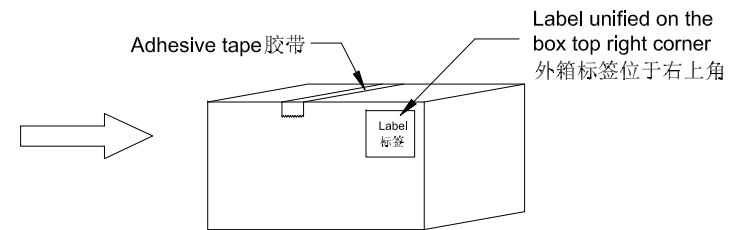
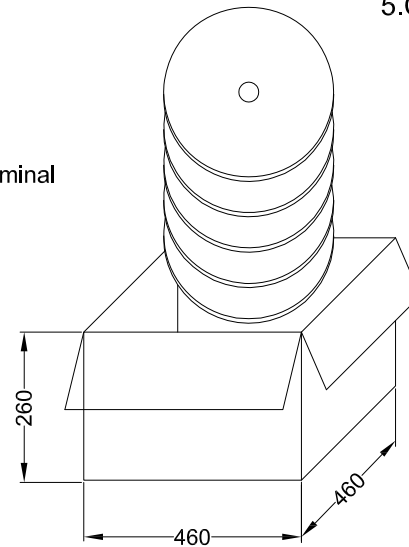


Note 注解:

- Quantity 数量:
10K PCS/REEL 一卷10K/PCS
10 REEL/BOX 一箱10卷
100K PCS/BOX 一箱100K/PCS
- Each reel and outer box must be labeled and Eco-Label Respectively labeled
每盘和外箱都必须有标签及环保标签分别标示
- Terminal winding direction as shown
端子缠绕方向如左图所示
- There shall be no dirt such as deformation phenomenon, Mantissa box fillers must be used
每箱不可有脏污, 变形现象, 尾数箱必须用填充物
- Carton material: K=K, Carton thickness: 6~7mm
纸箱材质:K=K, 纸箱厚度: 6~7mm



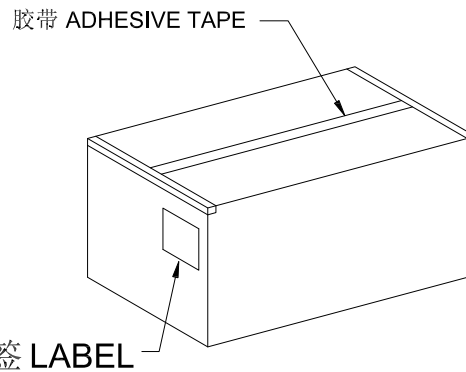
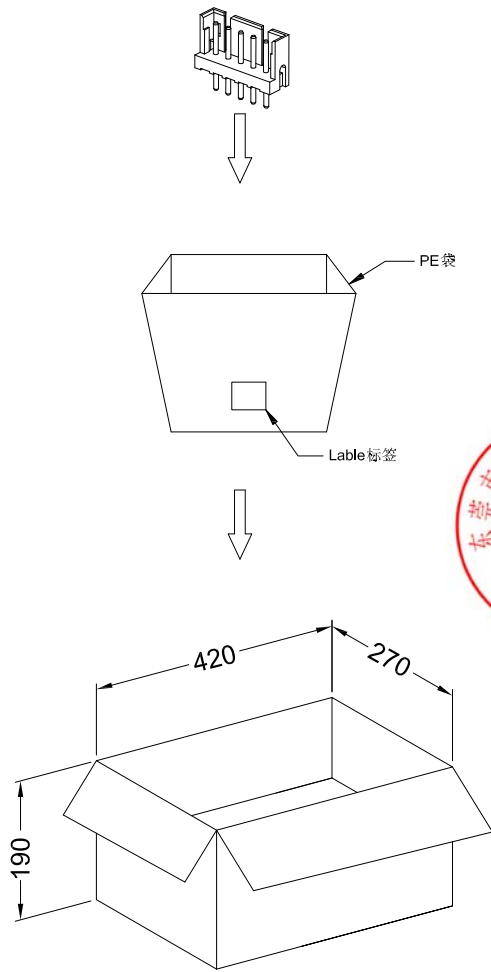
卷装方式
Package way



				GENERAL TOLERANCE		GYA 东莞市国亚电子有限公司 Connectors Dong Guan Guo Ya Connectors co., ltd.				PART NO. 2004T-PXX	
				.X ±0.35		APPROVAL				TITLE: 2.00mm Terminal Packing	
				.XX ±0.25		CHECK				UNIT	
				.XXX ±0.15		DRAWN				SCALE	
				X° ±0.2		DATE				SHEET	
DATE	REV	ECN NO.	DESCRIPTION	MODIFY	APPROVAL	Yangzhengguo	Yangzhengyi	Lvtiansheng	2016/08/26	REV	NUMBER
1		2		4						A0	A-275
										1/1	
										1:1	

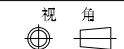
Note 注解:

- Put Housing in a PE bag, PE bag gauge for: 15.4 * 20.4 * 0.10 mm, Packing detail see the table below
将 Housing放入PE袋内, PE袋规为:15.4*20.4*0.10mm, 详细包装见下表
- Put PE bag packed products in specifications of 420 * 270 * 190 mm cartons, Packing detail see the table below
将装好产品的PE袋放入规格为420*270*190mm的纸箱内, 详细包装见下表
- Label depends on customer request, carton opening joint with transparent tape
标签依客户要求而定, 纸箱开口处用透明胶带贴合.
- Carton material: K=K, Carton thickness: 6~7mm
纸箱材质:K=K, 纸箱厚度:6~7mm



Poles	Bag PCS	CARTON Bag	CARTON PCS
02	1000	40	40K
03			
04			
05			
06			
07			
08	500	40	20K
09			
10			
11			
12			
13			
14			
15			
16			

DATE	REV	ECN NO.	DESCRIPTION	MODIFY	APPROVAL	GENERAL TOLERANCE	G.Y.A. 东莞市国亚电子有限公司 Connectors Dong Guan Guo Ya Connectors co., ltd.				PART NO. 2004WV-XX-XXXX				
						.X ±0.35	APPROVAL				TITLE: 2.00mm WAFER Packing				
						.XX ±0.25	Yangzhengguo	Yangzhengyi	Lvtiansheng	DATE	UNIT	SCALE	SHEET	REV	NUMBER
						.XXX ±0.15				2016/08/26	mm	1 : 1	1/1	A0	A-000
						X° ±0.2°									



Note 注解:

1. Put WAFER in a PE bag, PE bag gauge for: 150 * 200* 0.10 mm, Packing detail see the table below

将 WAFER放入PE袋内, PE袋规为:150*200*0.10mm, 详细包装见下表

2. Put PE bag packed products in specifications of 420 * 270 * 190 mm cartons, Packing detail see the table below

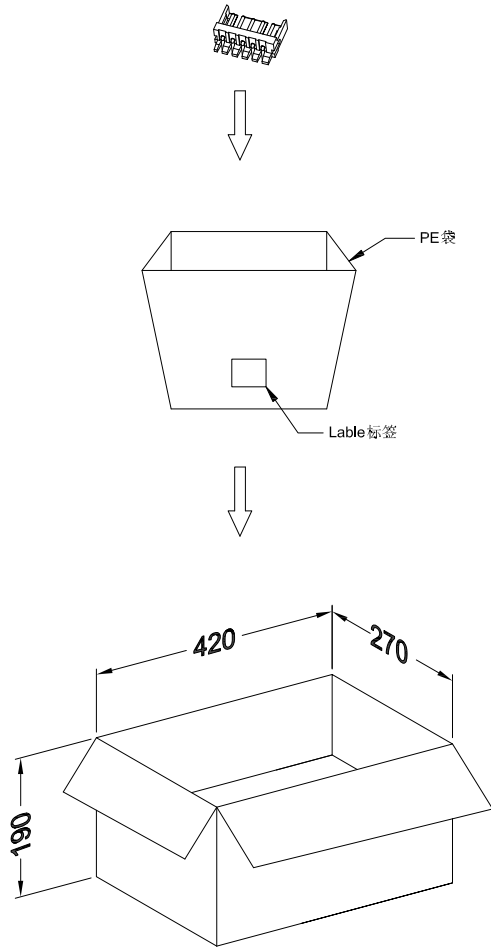
将装好产品的PE袋放入规格为420*270*190mm的纸箱内, 详细包装见下表

3. Label depends on customer request, carton opening joint with transparent tape

标签依客户要求而定, 纸箱开口处用透明胶带贴合.

4. Carton material: K=K, Carton thickness: 6~7mm

纸箱材质:K=K, 纸箱厚度: 6~7mm



Poles	Bag PCS	CARTON Bag	CARTON PCS
02	1000	35	35K
03			
04			
05			
06	1000	30	30K
07			
08			
09			
10	1000	25	25K
11			
12			
13			
14	500	40	20K
15			
16			

胶带 ADHESIVE TAPE

标签 LABEL

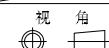
GENERAL TOLERANCE

.X ±0.35

.XX ±0.25

.XXX ±0.15

X° ±0.2°



东莞市国亚电子有限公司
Dong Guan Guo Ya Connectors co., ltd.

APPROVAL

CHECK

DRAWN

DATE

Yangzhengguo

Yangzhengyi

Lvtiansheng

2016/08/26

PART NO.

2004WR-XX-XXXX

TITLE:

2.00mm WAFER Packing

UNIT	SCALE	SHEET	REV	NUMBER
mm	1 : 1	1/1	A0	A-000

DATE

REV

ECN NO.

DESCRIPTION

MODIFY

APPROVAL

1

2

3

4

5

6

7

8