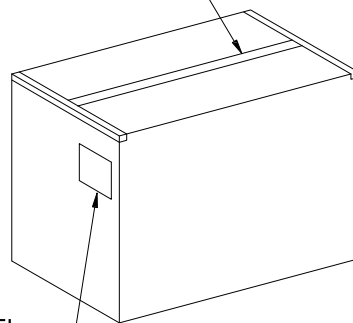


胶带ADHESIVE TAPE



Note注解:

1. Place Housing into PE bag and seal PE bag. Label.
将 Housing放入PE袋内, 并将PE袋封好. 贴上标签.
2. Put PE bag packed products in cartons, Packing detail see the table below
将装好产品的PE袋放入纸箱内, 详细包装见下表
3. Label depends on customer request, carton opening joint with transparent tape
标签依客户要求而定, 纸箱开口处用透明胶带贴合.
4. There shall be no dirt such as deformation phenomenon, Mantissa box fillers must be used
每箱不可有脏污, 变形现象, 尾数箱必须用填充物
5. Carton material: K=K, Carton thickness: 6±1mm
纸箱材质:K=K, 纸箱厚度:6~7mm

Poles	Bag PCS	Box PCS
02	1000	150K
03	1000	100K
04	1000	80K
05	1000	70K
06	1000	60K
07	1000	50K
08	1000	40K
09	1000	35K
10	1000	35K
11	1000	30K
12	1000	26K
13	1000	26K
14	1000	15K
15	1000	10K

						GENERAL TOLERANCE		PART NO.								
						.X	±0.30	2000H-XX-N0								
						.XX	±0.20	TITLE:								
						.XXX	±0.10	2.00mm Housing Packing								
						X.°	±0.2°	UNIT	SCALE	SHEET	REV	NUMBER				
DATE	REV	ECN NO.	DESCRIPTION	MODIFY	APPROVAL	视 角	APPROVAL	Yangzhengguo	Yangzhengyi	Lvtiansheng	2016/08/26	mm	1:1	1/1	A0	A-022

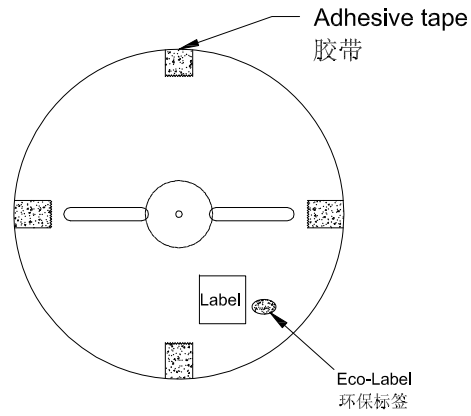


东莞市国亚电子有限公司
Dong Guan Guo Ya Connectors co., ltd.

APPROVAL	CHECK	DRAWN	DATE
Yangzhengguo	Yangzhengyi	Lvtiansheng	2016/08/26

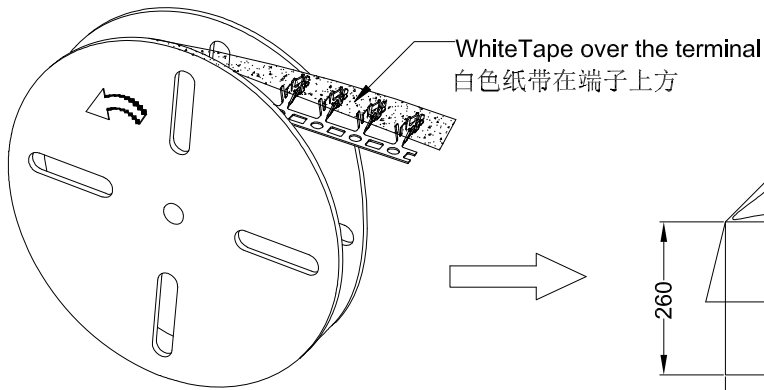
RoHS

包装图

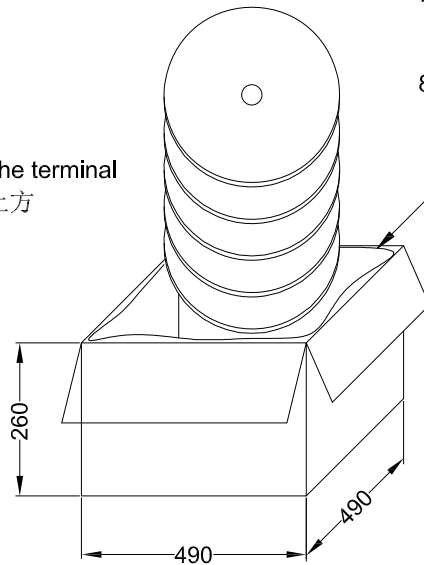


Note 注解:

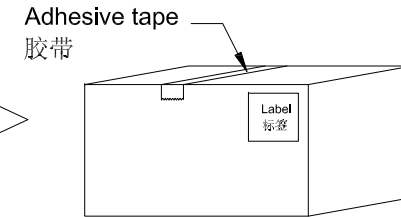
- Quantity 数量:
10K PCS/REEL 一卷10K/PCS
10 REEL/BOX 一箱10卷
100K PCS/BOX 一箱100K/PCS
- Each reel and outer box must be labeled and Eco-Label Respectively labeled
每盘和外箱都必须有标签及环保标签分别标示
- Terminal winding direction as shown
端子缠绕方向如左图所示
- There shall be no dirt such as deformation phenomenon, Mantissa box fillers must be used
每箱不可有脏污,变形现象,尾数箱必须用填充物
- Carton material: K=K, Carton thickness: 6±1mm
纸箱材质:K=K, 纸箱厚度:6±1mm
- Paper tape should be white
纸带需用白色
- One waterproof bag and two bags of desiccant 10g should be put in each box.
每箱里面要放一个防水袋和两包干燥剂10g
- Storage conditions: Temperature 10~30 °C; Humidity 20%~65%RH
存储条件: 温度10~30 °C; 湿度20%~65%RH



卷装方式
Package way



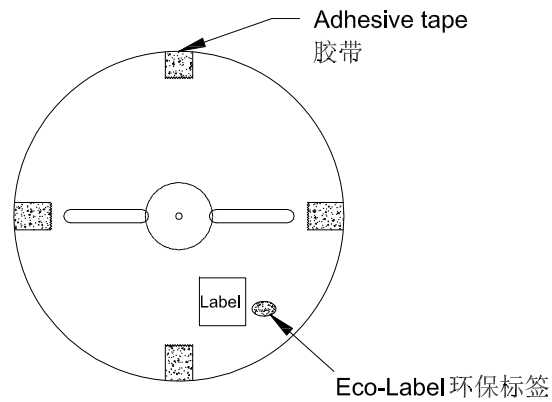
Waterproof bag 防水袋
Drier 干燥剂放两包10g



				GENERAL TOLERANCE		GYA 东莞市国亚电子有限公司 Connectors Dong Guan Guo Ya Connectors co., ltd		PART NO. 2000TH-HSN			
				.X ±0.35		APPROVAL		CHECK		TITLE: 2.00mm Terminal Packing	
				.XX ±0.25		Yangzhengguo		Yangzhengyi		UNIT SCALE SHEET REV NUMBER	
				.XXX ±0.15		X° ±0.2°		DRAWN		DATE	
				X° ±0.2°		Yangzhengguo		Lviansheng		2016/08/26	
DATE	REV	ECN NO.	DESCRIPTION	MODIFY	APPROVAL	视角					
1						[Symbol]					

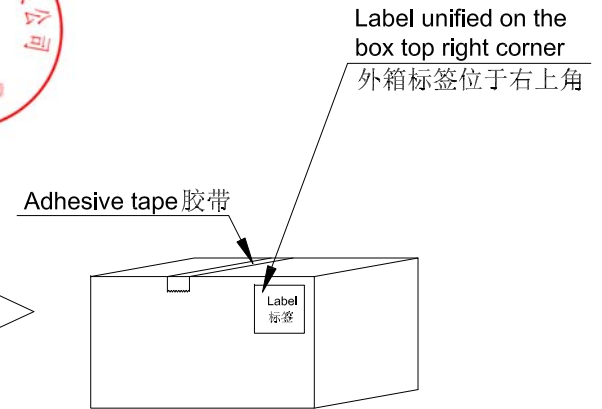
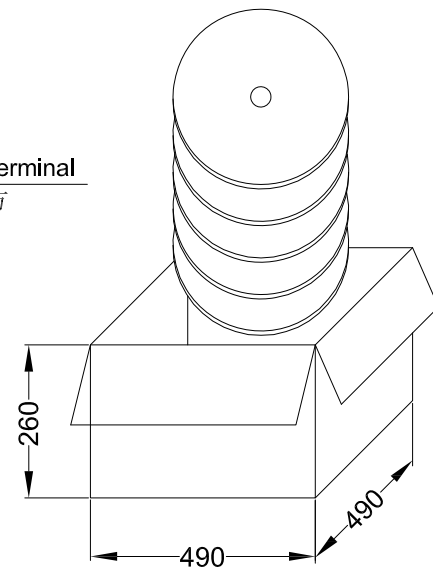
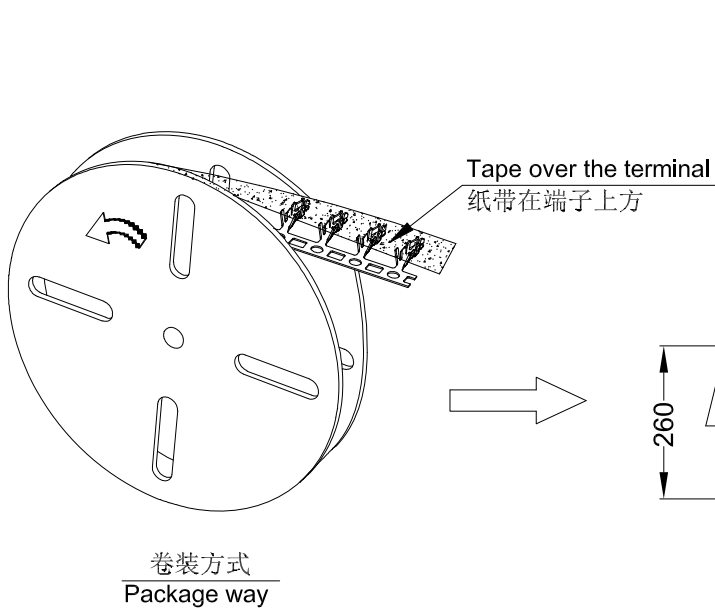
RoHS

包装图



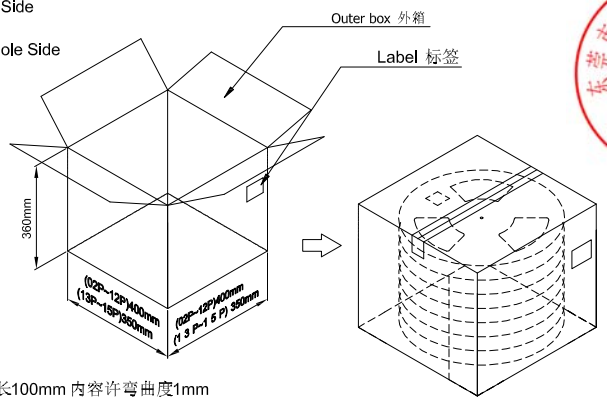
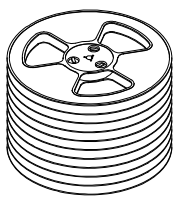
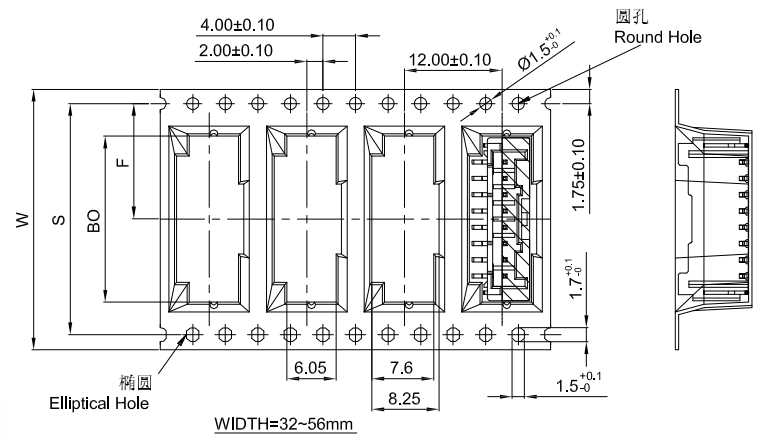
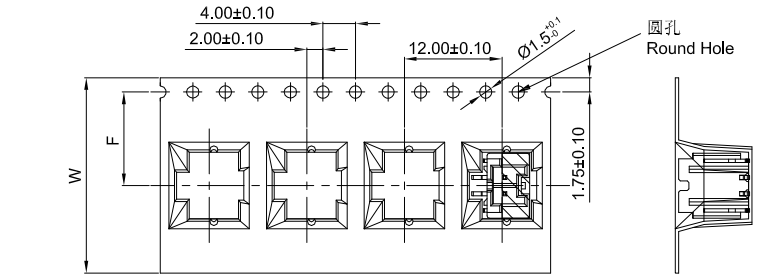
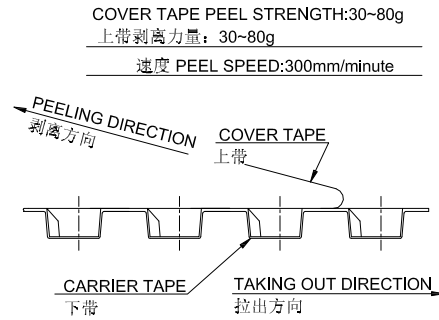
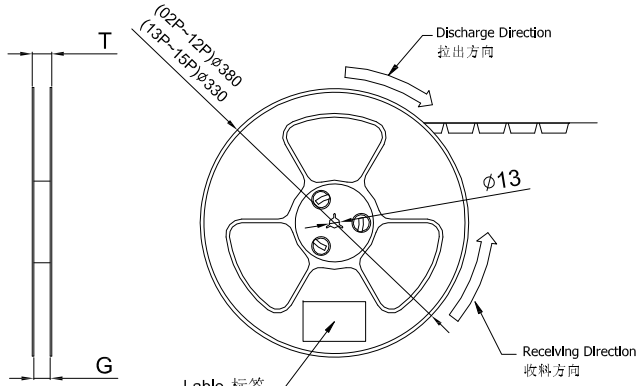
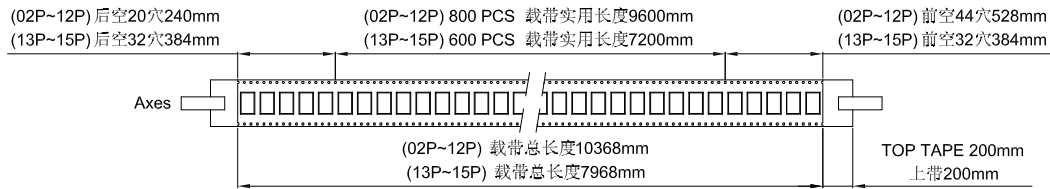
Note 注解:

- Quantity 数量:
10K PCS/REEL 一卷10K/PCS
10 REEL/BOX 一箱10卷
100K PCS/BOX 一箱100K/PCS
- Each reel and outer box must be labeled and Eco-Label Respectively labeled
每盘和外箱都必须有标签及环保标签分别标示
- Terminal winding direction as shown
端子缠绕方向如左图所示
- There shall be no dirt such as deformation phenomenon, Mantissa box fillers must be used
每箱不可有脏污, 变形现象, 尾数箱必须用填充物
- Carton material: K=K, Carton thickness: 6±1mm
纸箱材质:K=K, 纸箱厚度:6~7mm



				GENERAL TOLERANCE		GYA 东莞市国亚电子有限公司 Connectors Dong Guan Guo Ya Connectors co., ltd.		PART NO. 2000TX-PXXX			
				.X ±0.30		APPROVAL		CHECK		TITLE: 2.00mm Terminal Packing	
				.XX ±0.20		Yangzhengguo		Yangzhengyi		UNIT SCALE SHEET REV NUMBER	
				.XXX ±0.10		X° ±0.2°		DRAWN		2016/08/26	
				X° ±0.2°		视角		DATE		mm 1:1 1/1 A0 A-014	
DATE	REV	ECN NO.	DESCRIPTION	MODIFY	APPROVAL						

RoHS 包装图



- Note:
- Carrier Camber Is Within 1mm In 100mm; 带长100mm 内容许弯曲度1mm
 - 10 Sprocket Hole Pitch Cumulative Tolerance±0.2MM; 圆孔十个孔距离累计允许公差为±0.2mm
 - Material for PS; 材质为PS材质; Color 颜色: Natural 透明色
 - bracer 保护带: Color 颜色: Natural 透明色; 厚度0.40mm 最小
 - Thickness=0.50±0.05; 材料厚度为0.50±0.05mm
 - Carton material 纸箱材质: K=K; Carton Thickness 纸箱厚度: 6~7mm

ZD2000WVS-XXHF
2000WVS-XX-XXXXXX-X

Carrier Tape No. 载带料号	B0	W	S	F	T	G	REEL /PCS	CARTON /R	CARTON /PCS
ZD2000WVS-02HF	8.3	24	/	11.50	28.5	24.5	800	12	9600
ZD2000WVS-03HF	10.3								
ZD2000WVS-04HF	12.3								
ZD2000WVS-05HF	14.3								
ZD2000WVS-06HF	16.3	32	28.4	14.20	36.5	32.5	800	9	7200
ZD2000WVS-07HF	18.3								
ZD2000WVS-08HF	20.3								
ZD2000WVS-09HF	22.3								
ZD2000WVS-10HF	24.3	44	40.4	20.2	48.5	44.5	800	7	5600
ZD2000WVS-11HF	26.3								
ZD2000WVS-12HF	28.3								
ZD2000WVS-13HF	30.3								
ZD2000WVS-14HF	32.3	56	52.4	26.2	60.5	56.5	600	5	3000
ZD2000WVS-15HF	34.3								

GENERAL TOLERANCE

.X	±0.30
.XX	±0.20
.XXX	±0.10
X°	±0.2°

视角

GYA 东莞市国亚电子有限公司
Connectors Dong Guan Guo Ya Connectors co., ltd.

PART NO.
PPN: 2000WVS-XX-XXXXXX-X
CTN: ZD2000WVS-XXHF

APPROVAL CHECK DRAWN DATE

TITLE:
2.00mm Connectors 180° Packing

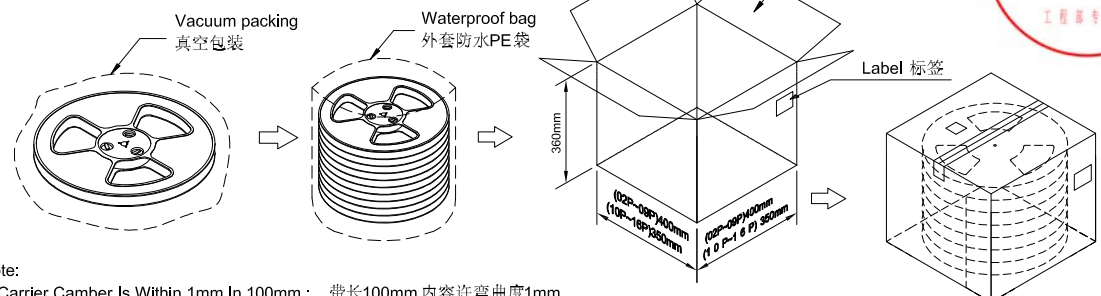
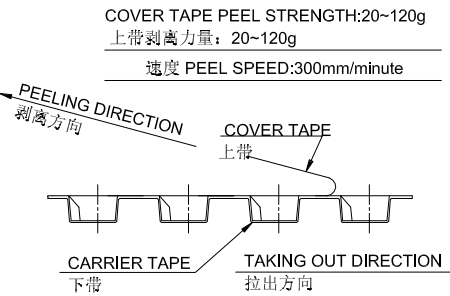
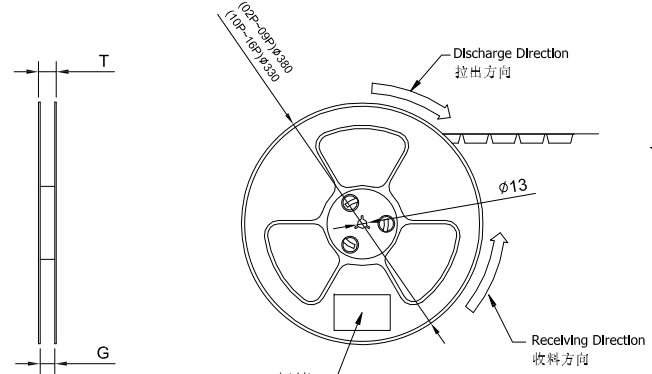
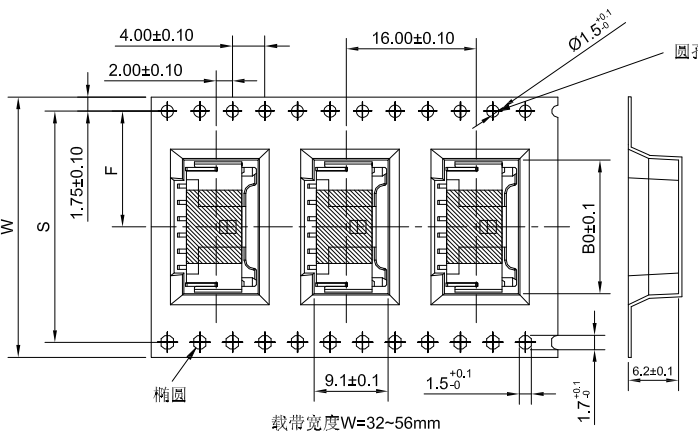
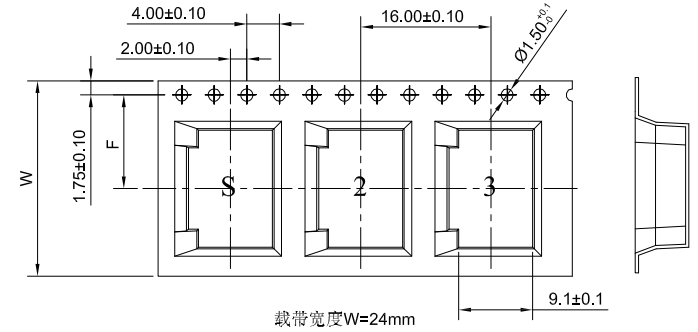
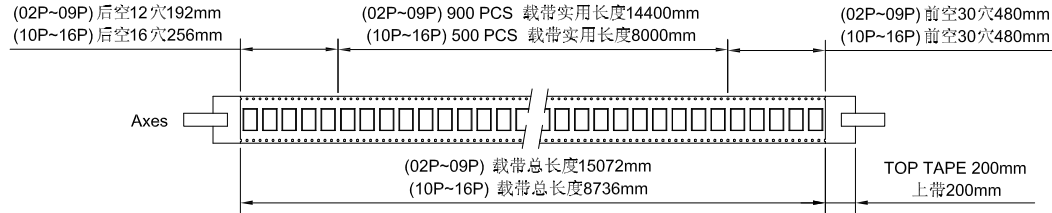
DATE	REV	ECN NO.	DESCRIPTION	MODIFY	APPROVAL

Yangzhengguo	Yangzhengyi	Lvtiansheng	2016/08/26
--------------	-------------	-------------	------------

UNIT	SCALE	SHEET	REV	NUMBER
mm	1:1	1/1	A0	A-000

RoHS

包装图



- Note:
- Carrier Camber Is Within 1mm In 100mm; 带长100mm 内容许弯曲度1mm
 - 10 Sprocket Hole Pitch Cumulative Tolerance±0.2MM; 圆孔十个孔距累计允许公差为±0.2mm
 - Material for PS; 材质为PS材质; Color 颜色:Natural 本色透明色
 - bracer 保护带; Color 颜色:Natural 透明色; 厚度0.40mm 最小
 - Thickness=0.40±0.05; 材料厚度为0.40±0.05mm
 - Cover Tape 上带; 冷封
 - Carton material 纸箱材质:K=K; Carton Thickness 纸箱厚度: 6~7mm

Carrier Tape No. 载带料号	W	S	F	T	G	B0	REEL /PCS	CARTON /R	CARTON /PCS
ZD2000WRS-02HF	24	/	11.50	28.5	24.5	8.4	900	12	10800
ZD2000WRS-03HF						10.4			
ZD2000WRS-04HF						12.4			
ZD2000WRS-05HF						14.4			
ZD2000WRS-06HF	32	28.4	14.20	36.5	32.5	16.4	900	9	8100
ZD2000WRS-07HF						18.4			
ZD2000WRS-08HF						20.4			
ZD2000WRS-09HF	44	40.4	20.2	48.5	44.5	22.4	900	7	6300
ZD2000WRS-10HF						24.4			
ZD2000WRS-11HF						26.4			
ZD2000WRS-12HF	44	40.4	20.2	48.5	44.5	28.4	500	7	3500
ZD2000WRS-13HF						30.4			
ZD2000WRS-14HF						32.4			
ZD2000WRS-15HF						34.4			
ZD2000WRS-16HF	56	52.4	26.2	60.5	56.5	36.4	500	5	2500

DATE	REV	ECN NO.	DESCRIPTION	MODIFY	APPROVAL	GENERAL TOLERANCE				PART NO.				
						.X	±0.30	.XX	±0.20	.XXX	±0.10	X°	±0.2°	PPN: 2000WRS-XX-XXXXXX-X CTN: ZD2000WRS-XXHF
						APPROVAL	CHECK	DRAWN	DATE	UNIT	SCALE	SHEET	REV	NUMBER
						Yangzhengguo	Yangzhengyi	Lvtiansheng	2016/08/26	mm	1:1	1/1	A0	A-000



东莞市国亚电子有限公司
Dong Guan Guo Ya Connectors co., ltd

