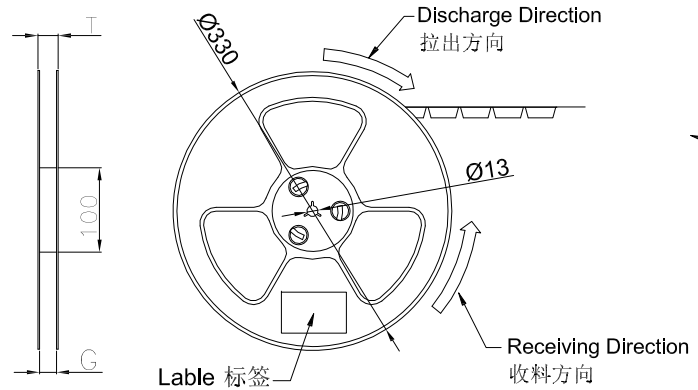
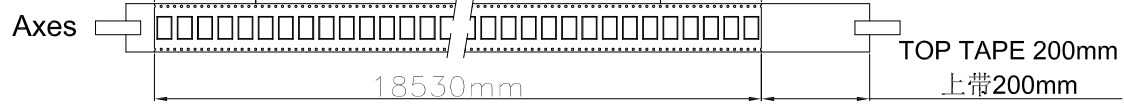
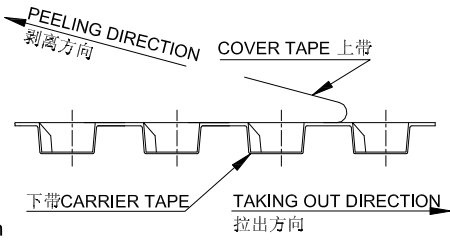


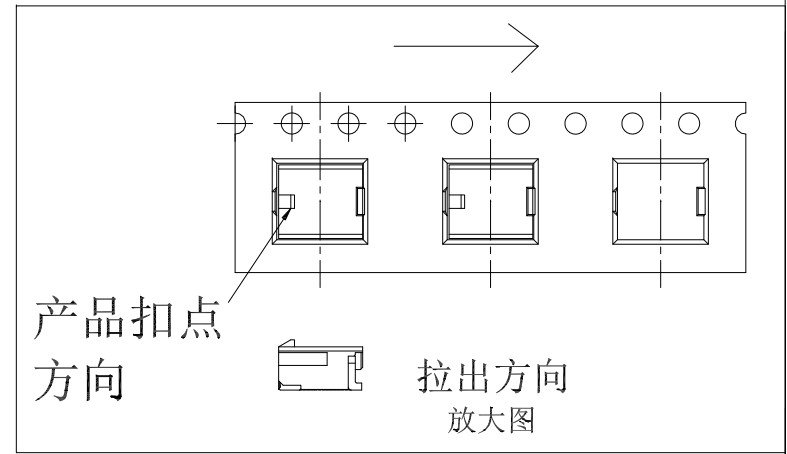
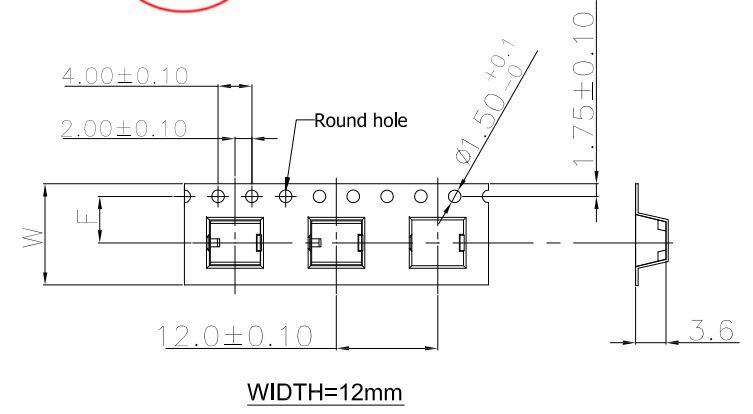
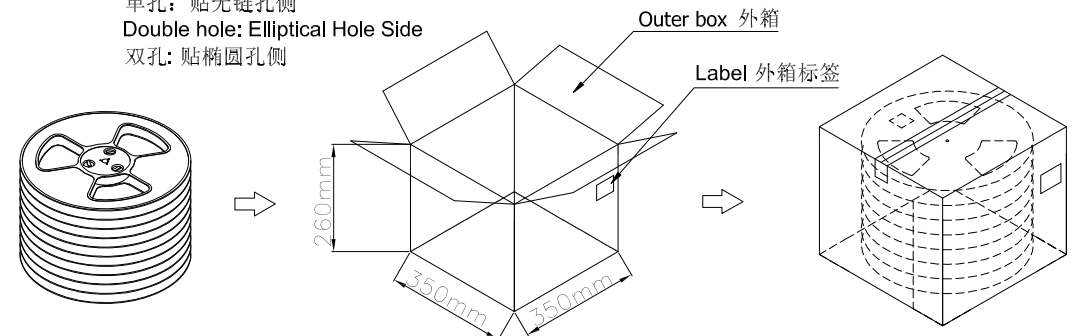
空22穴 Product 1500PCS Leader Part Empty 22Holes  
18000mm 前空 22穴



COVER TAPE PEEL STRENGTH:20~120g  
上带剥离力量:20~120g  
速度 PEEL SPEED:300mm/minute



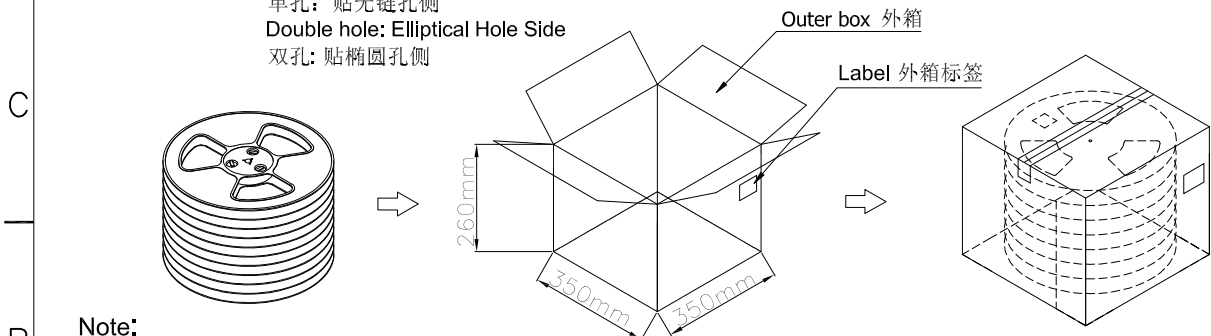
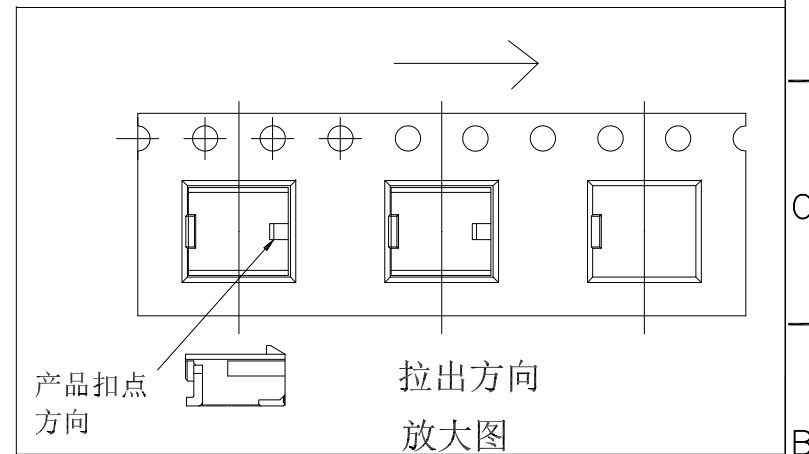
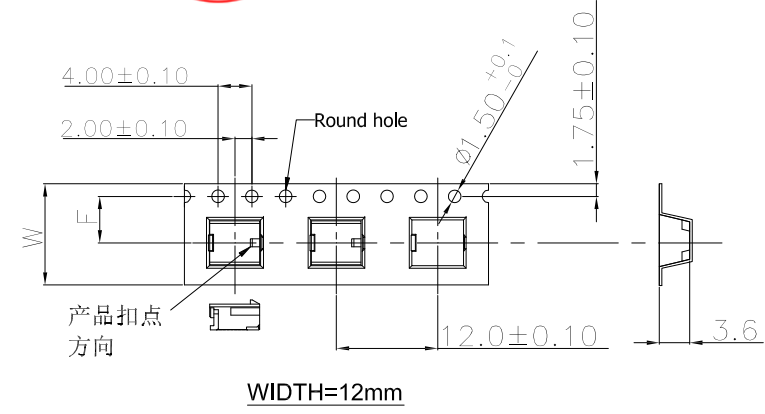
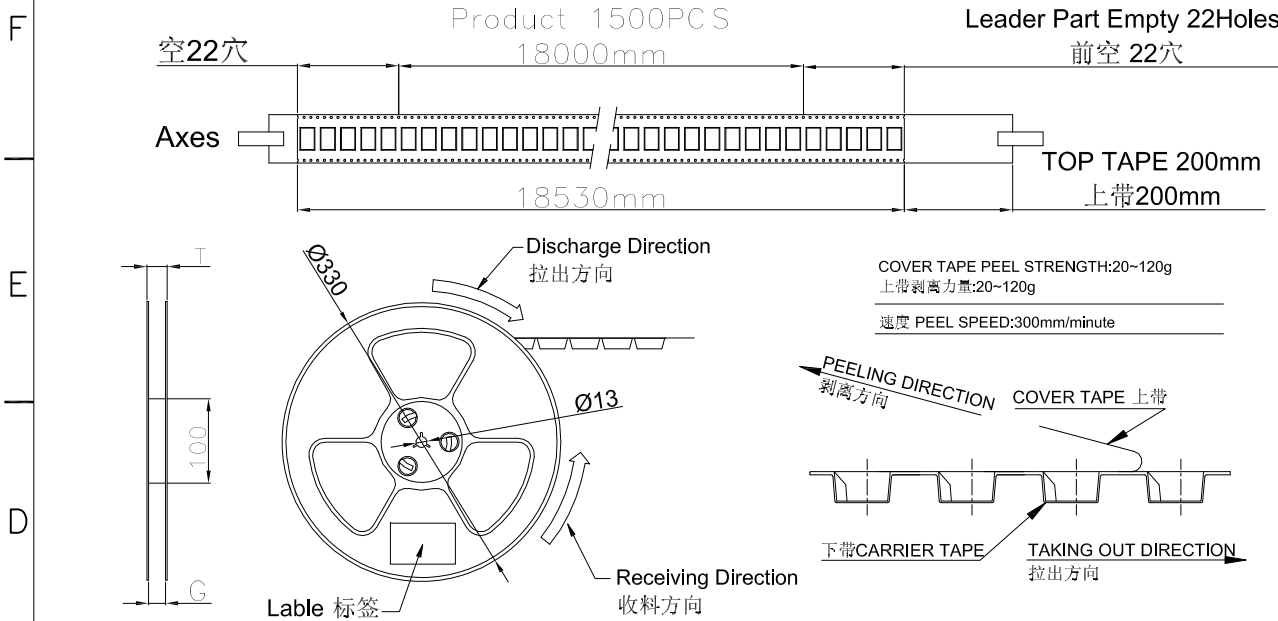
Lable 标签  
Single hole: None Hole Side  
单孔: 贴无链孔侧  
Double hole: Elliptical Hole Side  
双孔: 贴椭圆孔侧



- Note:
- Carrier Camber Is Within 1mm In 100mm ; 带长100mm 内容许弯曲度1mm
  - 10 Sprocket Hole Pitch Cumulative Tolerance±0.2MM ; 圆孔十个孔距离累计允许公差为±0.2mm
  - Carrier tape material for PS ; 下带材质为PS材质; Color颜色:Natural透明色
  - bracer保护带: Color颜色:Natural透明色, 厚度0.40mm最小
  - Thinkess=0.30±0.05 ; 材料厚度为0.30±0.05mm
  - Carton material 纸箱材质:K=K; Carton Thickness 纸箱厚度: 6~7mm

ZD1800WRS-02AHF	Part No.	W	S	F	T (MAX)	G(MAX)	REEL /PCS	CARTON /R	CARTON /PCS
1800WRS-02A-XXXX	ZD1800WRS-02AHF	12	/	5.50	16.50	12.40	1500	13R	19.5K

					<b>GENERAL TOLERANCE</b> .X ±0.35 .XX ±0.25 .XXX ±0.15 X° ±0.2° 视图 				<b>GYA</b> 东莞市国亚电子有限公司 Connectors Dong Guan Guo Ya Connectors co., Ltd.				PART NO. PPN: 1800WRS-02A-XXXX CTN: ZD1800WRS-02AHF TITLE: 1.80mm Connectors SMT 90° Package			
DATE	REV	ECN NO.	DESCRIPTION	MODIFY	APPROVAL	APPROVAL	CHECK	DRAWN	DATE	UNIT	SCALE	SHEET	REV	NUMBER		
						Yangzhengguo	Yangzhengyi	Lvtiansheng	2016/08/26	mm	1:1	1/1	A0	A-106		



- Note:**
- Carrier Camber Is Within 1mm In 100mm ; 带长100mm 内容许弯曲度1mm
  - 10 Sprocket Hole Pitch Cumulative Tolerance±0.2MM ; 圆孔十个孔距离累计允许公差为±0.2mm
  - Carrier tape material for PS ; 下带材质为PS材质; Color颜色:Natural透明色
  - bracer保护带: Color颜色:Natural透明色, 厚度0.40mm最小
  - Thinkess=0.30±0.05 ; 材料厚度为0.30±0.05mm
  - Carton material 纸箱材质:K=K; Carton Thickness 纸箱厚度: 6~7mm

ZD1800WRS-02A-AHF	Part No.	W	S	F	T (MAX)	G(MAX)	REEL /PCS	CARTON /R	CARTON /PCS
1800WRS-02A-XXXX-A	ZD1800WRS-02AHF	12	/	5.50	16.50	12.40	1500	13R	19.5K

					<b>GENERAL TOLERANCE</b> .X ±0.35 .XX ±0.25 .XXX ±0.15 X° ±0.2° 视图 				<b>GYA</b> 东莞市国亚电子有限公司 Connectors Dong Guan Guo Ya Connectors co., Ltd.				PART NO. PPN: 1800WRS-02A-XXXX-A CTN: ZD1800WRS-02A-AHF			
					APPROVAL	CHECK	DRAWN	DATE	TITLE: 1.80mm Connectors SMT 90° Package							
DATE	REV	ECN NO.	DESCRIPTION	MODIFY	APPROVAL	Yangzhengguo	Yangzhengyi	Lvtiansheng	2016/08/26	UNIT	SCALE	SHEET	REV	NUMBER		
1										mm	1:1	1/1	A0	A-106		