

Note 注解:

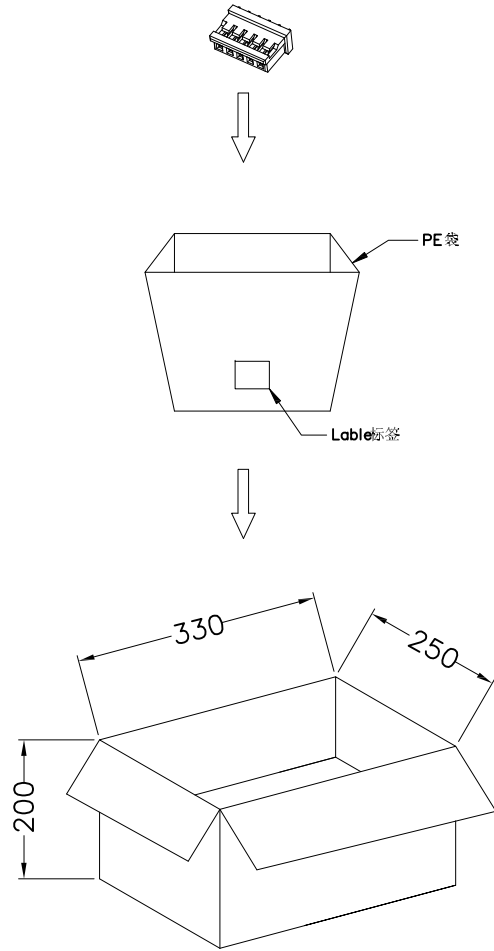
1. Put Housing in a PE bag, PE bag gauge for: 130 * 135 * 0.10 mm, Packing detail see the table below

将 Housing 放入PE袋内, PE袋规为: 130*135*0.10mm, 详细包装见下表

2. Put PE bag packed products in specifications of 330 * 250 * 300 mm cartons, Packing detail see the table below

将装好产品的PE袋放入规格为330*250*200mm 的纸箱内, 详细包装见下表

3. Label depends on customer request, carton opening joint with transparent tape
 标签依客户要求而定, 纸箱开口处用透明胶带贴合.

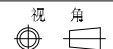


Poles	Bag PCS	CARTON Bag	CARTON PCS
02	1000	75	75K
03	1000	75	75K
04	1000	75	75K
05	1000	75	75K
06	1000	75	75K
07	1000	75	75K
08	1000	75	75K
09	1000	75	75K
10	1000	75	75K
11	1000	75	75K
12	1000	75	75K
13	1000	75	75K
14	1000	75	75K
15	500	30	30K

胶带 ADHESIVE TAPE

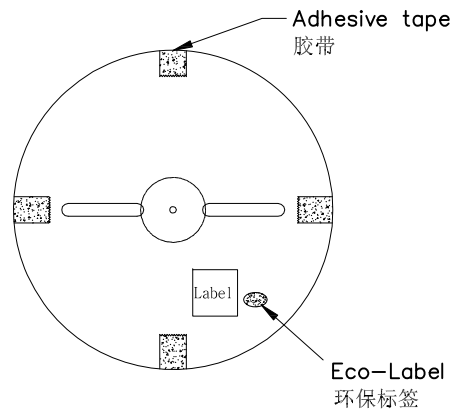
标签 LABEL

				GENERAL TOLERANCE		东莞市国亚电子有限公司 Dong Guan Guo Ya Connectors co., Ltd.		PART NO.: 1511H-XX-XXHF			
				.X ±0.30				TITLE: 1.50mm Housing Package			
				.XX ±0.20				UNIT SCALE SHEET REV NUMBER			
				.XXX ±0.10				mm 1:1 1/1 A0 XXXX			
				X° ±0.2°		APPROVAL	CHECK	DRAWN	DATE		
DATE	REV	ECN NO.	DESCRIPTION	MODIFY	APPROVAL	Yangzhengguo	Yangzhengyi	Lvtiansheng	2016/08/26		



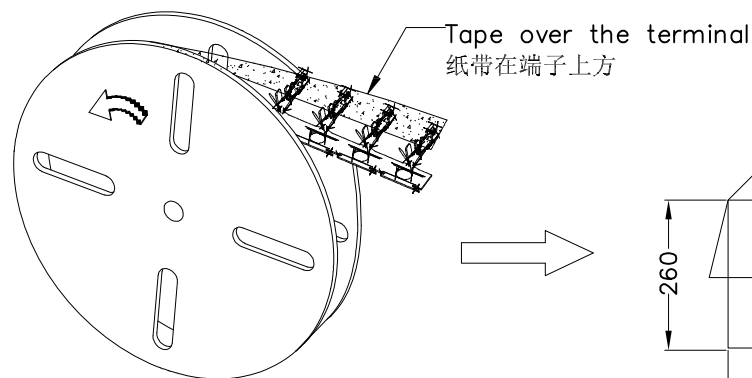
RoHS

包装图

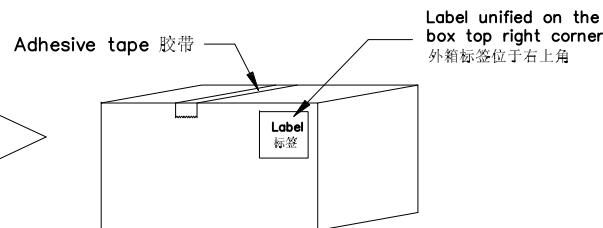
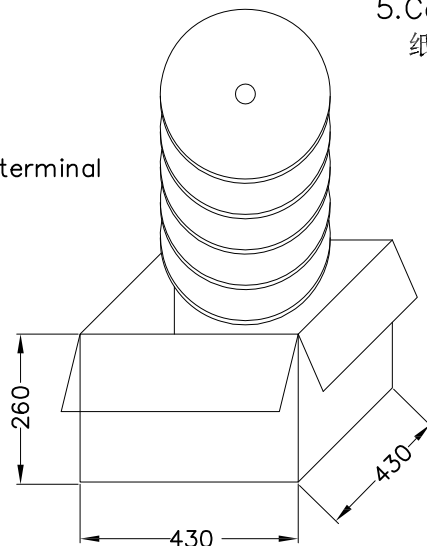


Note 注解:

- Quantity 数量:
10KPCS/REEL 一卷10K/PCS
10REEL/BOX 一箱10卷
100KPCS/BOX 一箱100K/PCS
- Each reel and outer box must be labeled and Eco-Label Respectively labeled
每盘和外箱都必须有标签及环保标签分别标示
- Terminal winding direction as shown
端子缠绕方向如左图所示
- There shall be no dent as deformation phenomenon, Mantissa box fillers must be used
每箱不可有脏污, 变形现象, 尾数箱必须用填充物
- Carton material : K=K, Carton thickness : $6\pm 1\text{mm}$
纸箱材质: K=K 纸箱厚度: $6\pm 1\text{mm}$



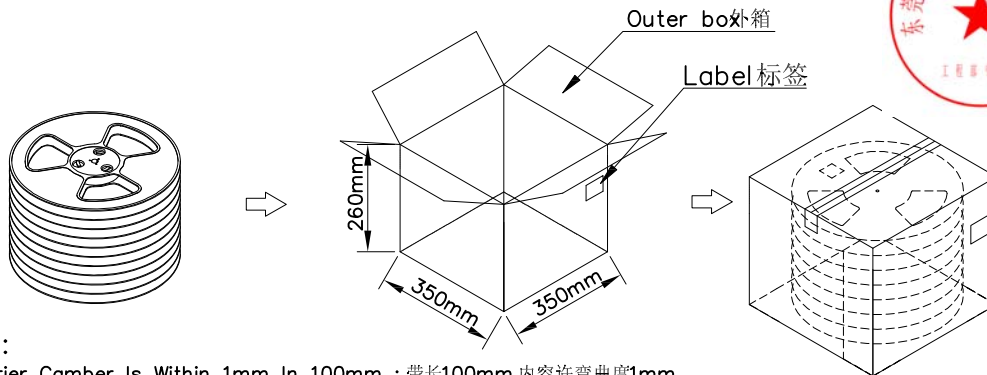
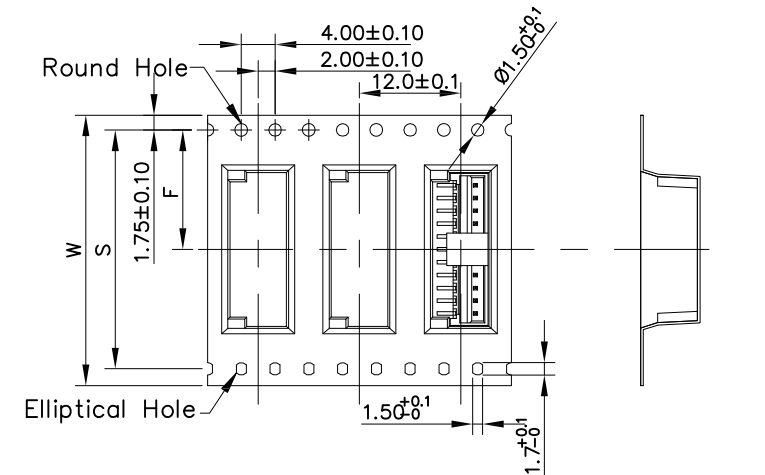
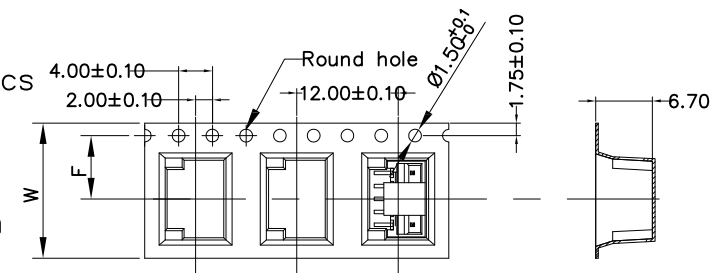
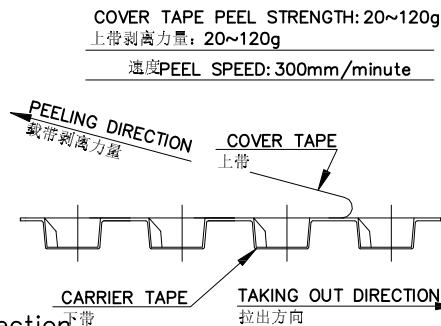
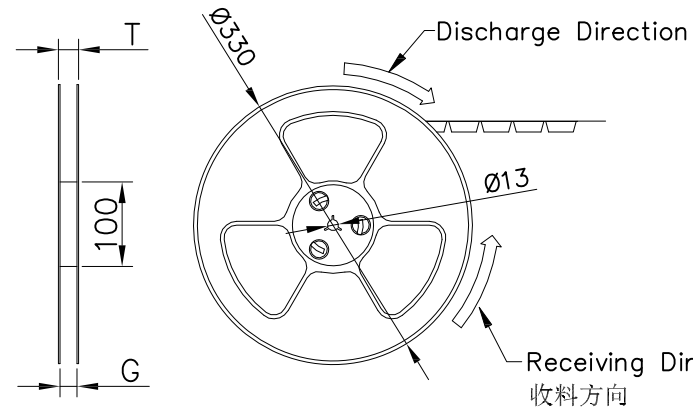
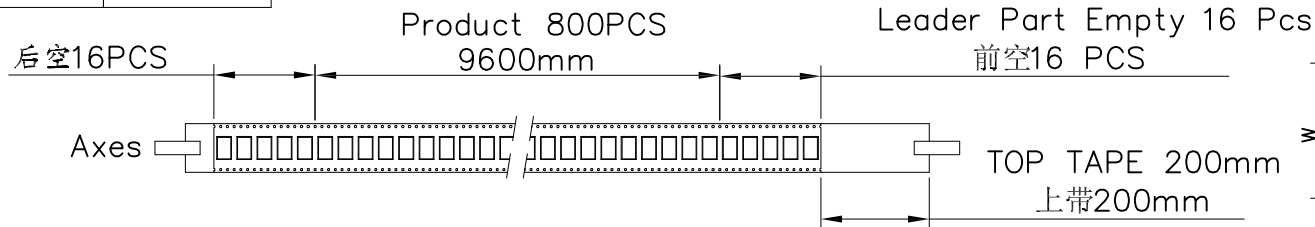
卷装方式
Package way



				GENERAL TOLERANCE		GYA 东莞市国亚电子有限公司 Connectors Dong Guan Guo Ya Connectors co., ltd		PART NO.: 1511T-XXX-XX			
				.X ±0.30				TITLE: 1.50mm Terminal Packing			
				.XX ±0.20				UNIT SCALE SHEET REV NUMBER			
				.XXX ±0.10				mm 1:1 1/1 A0 A-014			
				X' ±0.2°		APPROVAL	CHECK	DRAWN	DATE		
DATE	REV	ECN NO.	DESCRIPTION	MODIFY	APPROVAL	Yangzhengguo	Yangzhengyi	Lvtiansheng	2016/08/26		

1 2 3 4 5 6 7 8

RoHS 包装图



Note:

- Carrier Camber Is Within 1mm In 100mm ; 带长100mm 内容许弯曲度1mm
- 10 Sprocket Hole Pitch Cumulative Tolerance±0.2MM ; 圆孔十个孔距离累计允许公差为±0.2mm
- Carrier tape material for PS ; 下带材质为PS材质; Color 颜色: Natural 透明无色
- bracer 保护带: Color 颜色: Natural 透明无色, 厚度0.40mm 最小
- Thickness=0.40±0.05 ; 材料厚度为0.40±0.05mm
- Carton material 纸箱材质: K=K; Carton Thickness 纸箱厚度: 6±1mm

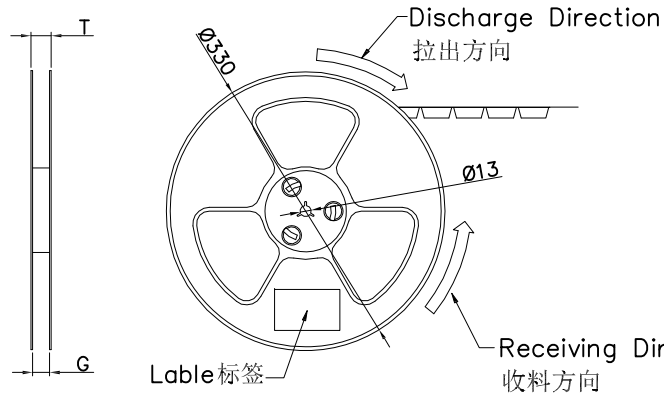
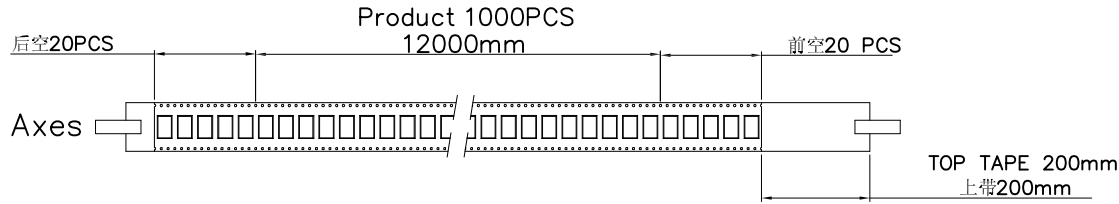
	Pin No.	W	S	F	T	G	REEL /PCS	CARTON /R	CARTON /PCS
ZD1511WVS-XXHF 1511WVS-XX-LPSW	ZD1511WVS-02HF	16	/	7.50	20.50	16.40	800	11R	8800
	ZD1511WVS-03HF								
	ZD1511WVS-04HF								
	ZD1511WVS-05HF								
	ZD1511WVS-06HF	24	/	11.50	28.50	24.40	800	8R	6400
	ZD1511WVS-07HF								
	ZD1511WVS-08HF								
	ZD1511WVS-09HF								
	ZD1511WVS-10HF								
	ZD1511WVS-11HF	32	28.40	14.20	36.50	32.40	800	6R	4800
ZD1511WVS-12HF									
ZD1511WVS-13HF									
ZD1511WVS-14HF	44	40.40	20.20	48.50	44.40	800	5R	4000	
ZD1511WVS-15HF									
ZD1511WVS-XXZHF 1511WVS-XXZ-LPSW	ZD1511WVS-06ZHF	24	/	11.50	28.50	24.40	500	8R	4000

DATE						REV		ECN NO.		DESCRIPTION		MODIFY		APPROVAL		GENERAL TOLERANCE		PART NO.:			
																.X ±0.30		PPN: 1511WVS-XX-LPSWX CTN: ZD1511WVS-XXXHF			
																.XX ±0.20		TITLE:			
																.XXX ±0.10		1.50mm SMT 180° Packing			
																X' ±0.2°		UNIT SCALE SHEET REV NUMBER			
DATE						REV		ECN NO.		DESCRIPTION		MODIFY		APPROVAL		视角		mm 1:1 1/1 A0 A-106			
1						2		3		4		5		6		7		8			



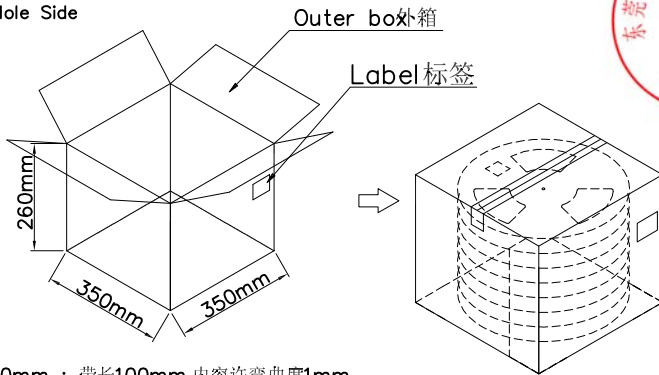
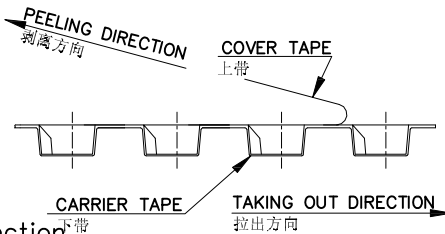
东莞市国亚电子有限公司
Dong Guan Guo Ya Connectors co., Ltd

APPROVAL	CHECK	DRAWN	DATE
Yangzhengguo	Yangzhengyi	Lvtiansheng	2016/08/26

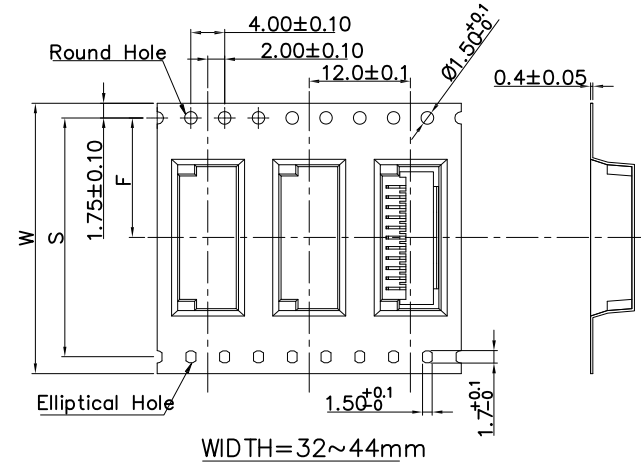
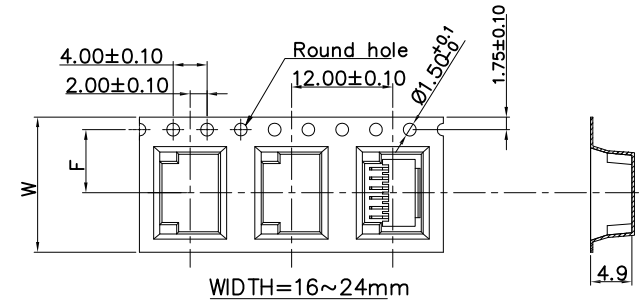


Lable 标签
 Single hole: None Hole Side
 单孔: 贴无链孔侧
 Double hole: Elliptical Hole Side
 双孔: 贴椭圆孔侧

COVER TAPE PEEL STRENGTH: 20~120g
 上带剥离力量: 20~120g
 速度 PEEL SPEED: 300mm/minute



- Note:
- Carrier Camber Is Within 1mm In 100mm ; 带长100mm 内容许弯曲度1mm
 - 10 Sprocket Hole Pitch Cumulative Tolerance±0.2MM ; 圆孔十个孔距离累计允许公差为±0.2mm
 - Carrier tape material for PS ; 下带材质为PS材质; Color 颜色: Natural 透明无色无卤
 - bracer 保护带: Color 颜色 : Natural 透明色, 厚度0.40mm最小
 - Thickness=0.40±0.05 ; 材料厚度为0.40±0.05mm
 - Carton material 纸箱材质: K=K; Carton Thickness 纸箱厚度: 6±1mm



	Pin No.	W	S	F	T	G	REEL		CARTON /PCS
							REEL /PCS	CARTON /R	
ZD1511WRS-XXHF 1511WRS-XX-LPSWX	ZD1511WRS-02HF	16	/	7.50	20.50	16.40	1000	11R	11000
	ZD1511WRS-03HF								
	ZD1511WRS-04HF								
	ZD1511WRS-05HF								
	ZD1511WRS-06HF								
	ZD1511WRS-07HF	24	/	11.50	28.50	24.40	1000	8R	8000
	ZD1511WRS-08HF								
	ZD1511WRS-09HF								
	ZD1511WRS-10HF								
	ZD1511WRS-11HF	32	28.40	14.20	36.50	32.40	1000	6R	6000
ZD1511WRS-12HF									
ZD1511WRS-13HF									
ZD1511WRS-14HF	44	40.40	20.20	48.50	44.40	1000	5R	5000	
ZD1511WRS-15HF									
ZD1511WRS-06ZHF 1511WRS-06-LPSWZ	ZD1511WRS-06ZHF	24	/	11.50	28.50	24.40	1000	8R	8000
ZD1511WRS-09ZHF 1511WRS-09-LPSWZ	ZD1511WRS-09ZHF								

GENERAL TOLERANCE						APPROVAL				PART NO.:			
.X ±0.30						G YA 东莞市国亚电子有限公司				PPN: 1511WRS-XX-LPSWX			
.XX ±0.20						Connectors Dong Guan Guo Ya Connectors co., Ltd				CTN: ZD1511WRS-XXXHF			
.XXX ±0.10						TITILE: 1.50mm SMT 90° Packing				UNIT SCALE SHEET REV NUMBER			
X' ±0.2°						YANGZHENG GUO				mm 1:1 1/1 A0 A-000			
DATE	REV	ECN NO.	DESCRIPTION	MODIFY	APPROVAL	Yangzhengguo	Yangzhengyi	Lvtiansheng	2016/08/26				