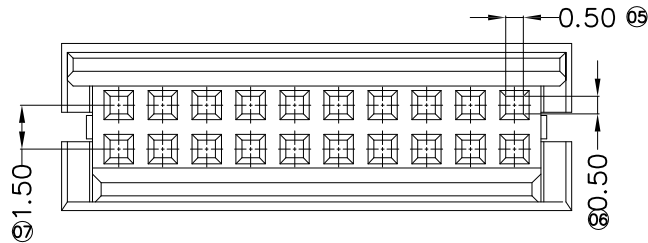
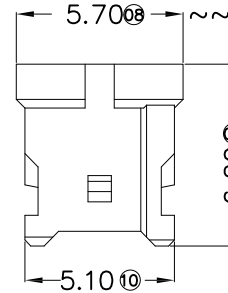
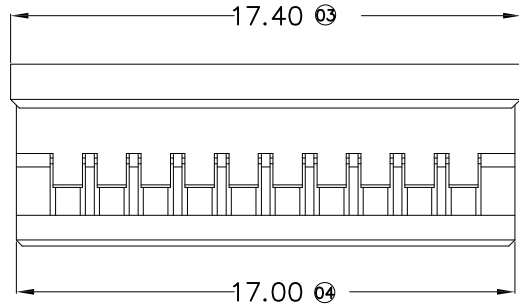
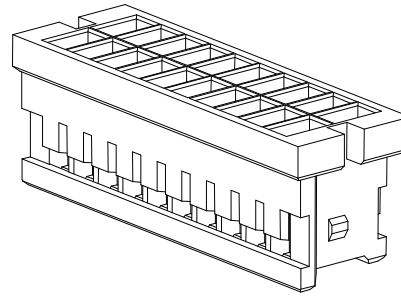
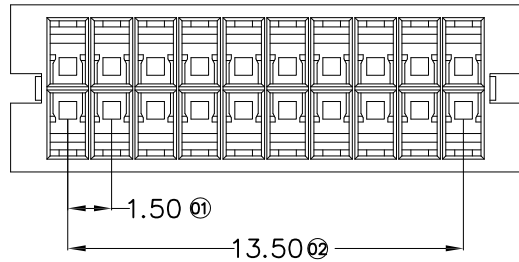


RoHS



Specifications

- Voltage rating: 350V AC / DC
- Current rating: 4A AC / DC
- Withstanding voltage: 500V AC/minute
- Temperature range: -40° ~+105°
- Insulation resistance: ≥1000MΩ
- Contact resistance: ≤20mΩ
- After environmental testing : ≤40mΩ
- Suitable GYA Terminal: 1511T
- Mates With GYA Wafer: 1511W

1511 H X-2*10 X-PT XX

① ② ③ ④ ⑤ ⑥ ⑦

- ① Series No.
- ② Category : H-HSG
- ③ Welding Board Angle : Blank-ordinary
- ④ Row No.-Pin No.: 2*10-20P
- ⑤ Plug the Pin & special No.:
- △⑥ Material : PT-PBT 94V-0
- ⑦ Color: Blank-White Color



					GENERAL TOLERANCE .X ±0.30 .XX ±0.20 .XXX ±0.10 X.* ±2°		GYA 东莞市国亚电子有限公司 Connectors Dong Guan Guo Ya Connectors co., Ltd.		PARTNO. 1511H-2*10-PT							
					PROJECT 		APPROVAL Yangzhengguo		CHECK Yangzhengyi		DRAWN Lviansheng		DATE 2016/08/26			
					TITLE 1.50mm Crimp Style Connectors											
DATE		REV		ECN NO		DESCRIPTION		MODIFY		APPROVAL		UNIT mm	SCALE 1:1	SHEET 1/1	REV A0	NUMBER A-241

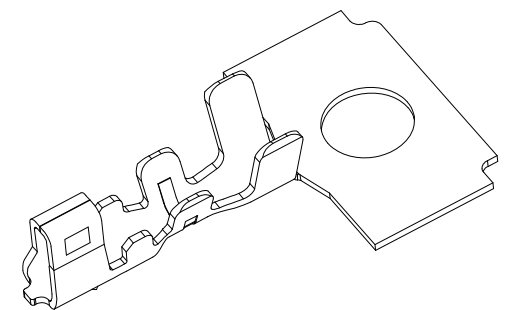
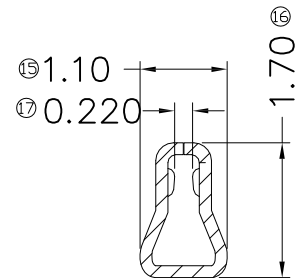
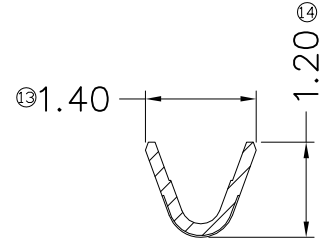
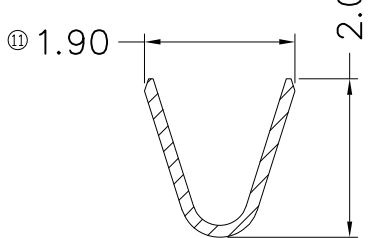
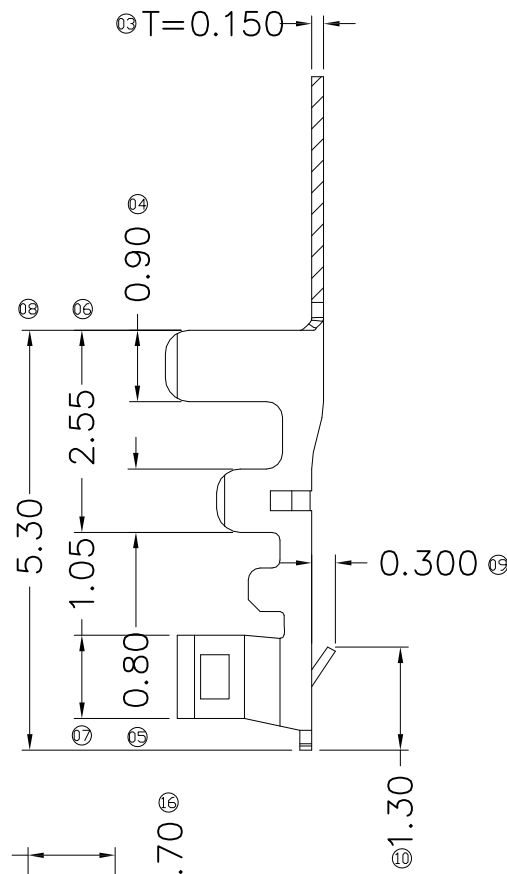
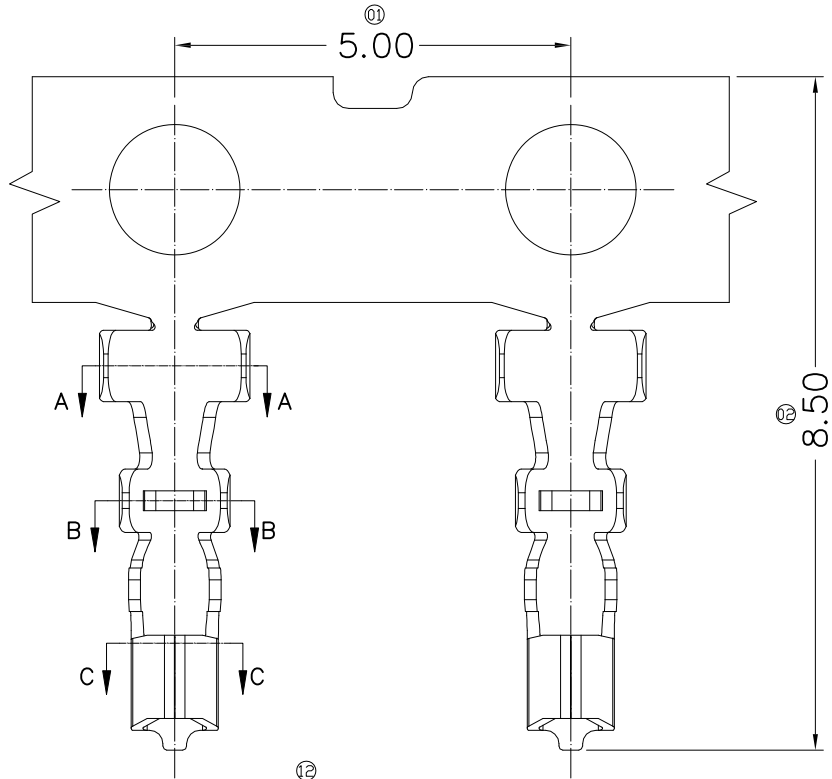
RoHS

■ Specifications

- Voltage rating: 350V AC / DC
- Current rating: 4A AC / DC
- Withstanding voltage: 500V AC/minute
- Temperature range: -40° ~ +105°
- Insulation resistance: ≥1000MΩ
- Contact resistance: ≤20mΩ
- After environmental testing: ≤40mΩ
- Wire Size: AWG#24~28
- Insulation O.D.: 1.10mm(Max)
- Used In GYA Housing: 1511H-2*10

1511 T X - H XX X - 01
 ① ② ③ ④ ⑤ ⑥ ⑦

- ① Series Number
- ② Category: T-terminal
- ③ Connector type: Blank-ordinary
- ④ Material: H-High conductivity copper
- ⑤ Plating code: SN-Bright tin plating
V01-Gold Flash
- ⑥ Plating method: Blank-Stamping before plating
before stamping B-Plating
- ⑦ MoldNo./Mark/Special No.: 01-C18400



DATE	REV	ECN ON.	DESCRIPTION	MODIFY	APPROVAL
1					
2					
3					
4					

GENERAL TOLERANCE	
.X	±0.35
.XX	±0.25
.XXX	±0.15
X.*	±2°
PROJECT	
⊕	□

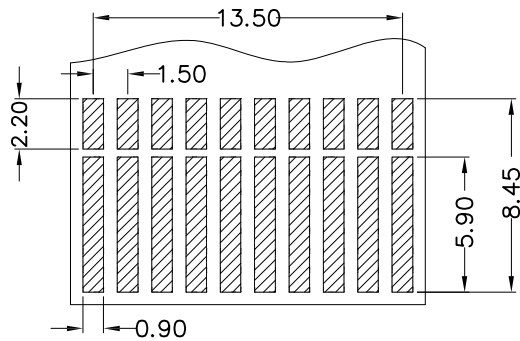
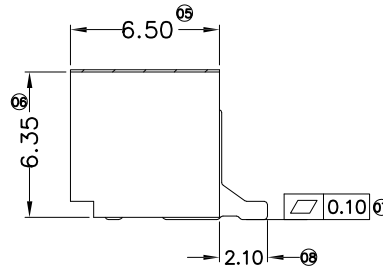
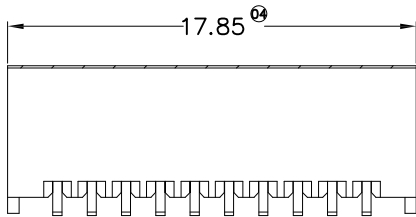
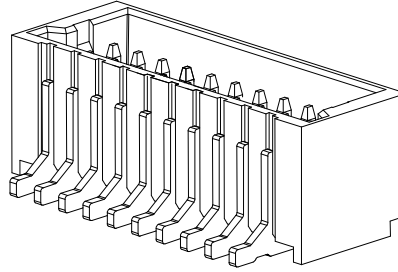
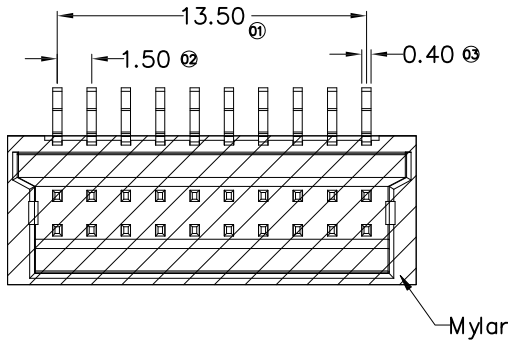


东莞市国亚电子有限公司
 Dong Guan Guo Ya Connectors co., Ltd.

APPROVAL	CHECK	DRAWN	DATE
Yangzhengguo	Yangzhengyi	Lvtiansheng	2016/08/26

PARTNO. 1511T-HXXX-01				
TITLE 1.50mm Crimp Style Connectors				
UNIT	SCALE	SHEET	REV	NUMBER
mm	1:1	1/1	A0	A-089

RoHS



Recommand PCB Layout
General Tolerance ± 0.05

Specifications

- Voltage rating: 350V AC / DC
- Current rating: 4A AC / DC
- Withstanding voltage: 500V AC/minute
- Temperature range: $-40^{\circ} \sim +105^{\circ}$
- Insulation resistance: $\geq 1000M\Omega$
- Contact resistance: $\leq 20m\Omega$
- After environmental testing: $\leq 40m\Omega$
- Mates With GYA Housing: 1511H-2*XX

1511 W V S-2*10 X- XX XXX XX
① ② ③ ④ ⑤ ⑥ ⑦ ⑧ ⑨

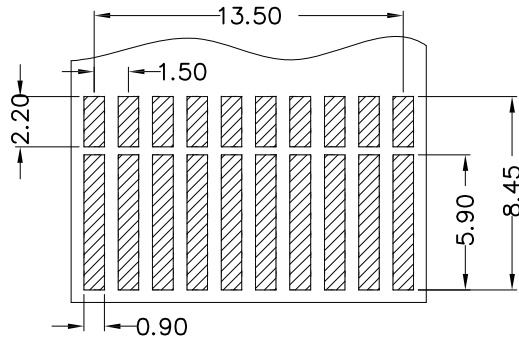
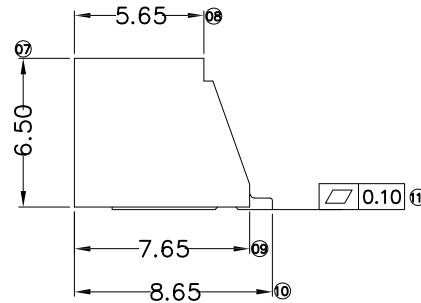
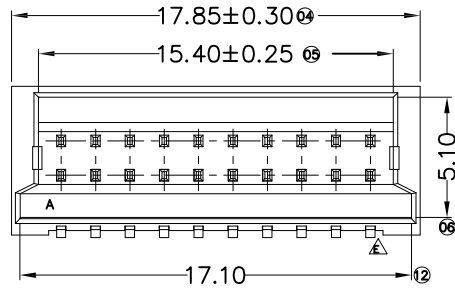
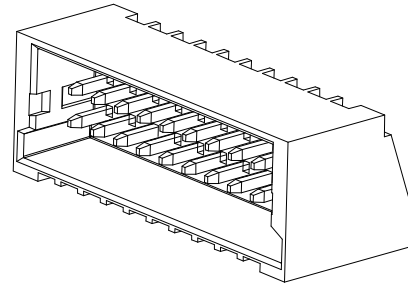
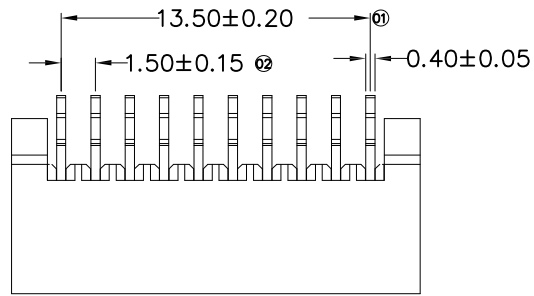
- ① Series No.
- ② Category : W-wafer
- ③ Welding Board Angle: V- Vertical 180°
- ④ Welding Way: S-SMT
- ⑤ RowNo.-Pin No.: 2*10-20P
- ⑥ Plug the Pin&Special No.
H-High conductivity copper C7025
H1-High conductivity copper C18400
- ⑦ Material : LP-LCP 94V-0;
- ⑧ Planting Category: SW-Matte tin plating
V01-Gold flash
- ⑨ Color: Blank-Natural Color B-Black



					GENERAL TOLERANCE .X ± 0.30 .XX ± 0.20 .XXX ± 0.10 X.* $\pm 2^{\circ}$		GYA 东莞市国亚电子有限公司 Connectors Dong Guan Guo Ya Connectors co., Ltd.		PARTNO. 1511WS-2*10HX-LPXXX	
					PROJECT 		APPROVAL Yangzhengguo		CHECK Yangzhengyi	
					DATE 2016/08/26		DRAWN Lviansheng		DATE 2016/08/26	
					UNIT mm		SCALE 1:1		SHEET 1/1	
					REV A0		NUMBER A-000		TITLE 1.50mm Crimp Style Connectors	
DATE	REV	ECN NO	DESCRIPTION	MODIFY	APPROVAL					

1 2 3 4 5 6 7 8

RoHS



Recommand PCB Layout
General Tolerance±0.05

■ Specifications :

- Voltage rating: 350V AC / DC
- Current rating: 4A AC / DC
- Withstanding voltage: 500V AC/minute
- Temperature range: -40° ~+105°
- Insulation resistance: ≥1000MΩ
- Contact resistance: ≤20mΩ
- After environmental testing : ≤40mΩ
- Material(Pin):High conductivity copper
- Mates With GYA Housing:1511H-2*XX

1511 W R S-2*XX X- XX XX XX
① ②③④ ⑤ ⑥ ⑦ ⑧ ⑨

- ① Series No.
- ② Category : W-wafer
- ③ Welding Board Angle: R- Right Angle 90°
- ④ Welding Way: S-SMT
- ⑤ Row No.-Pin No.: 2*10-20P
- ⑥ Plug the Pin&Special No.
H-High conductivity copper C7025
△H1-High conductivity copper C18400
- ⑦ Material : LP-LCP 94V-0;
- ⑧ Planting Category: SW-Matte tin plating
V1-Gold flash
- ⑨ Color :Blank-Natural Color B-Black



					GENERAL TOLERANCE .X ±0.30 .XX ±0.20 .XXX ±0.10 X.* ±2°		GYA 东莞市国亚电子有限公司 Connectors Dong Guan Guo Ya Connectors co., Ltd.		PARTNO. 1511WRS-2*10HX-LPXXX	
					PROJECT 		APPROVAL Yangzhengguo		CHECK Yangzhengyi	
					DATE 2016/08/26		DRAWN Lviansheng		DATE 2016/08/26	
					UNIT mm		SCALE 1:1		SHEET 1/1	
					REV A0		NUMBER A-000		TITLE 1.50mm Crimp Style Connectors	
DATE	REV	ECN NO	DESCRIPTION	MODIFY	APPROVAL					