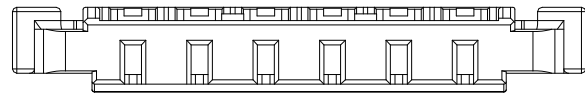
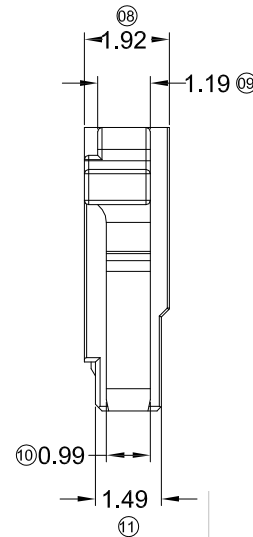
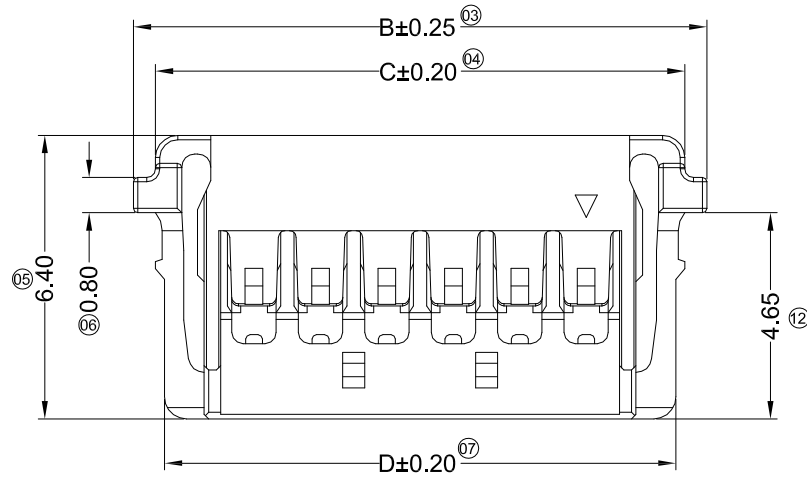
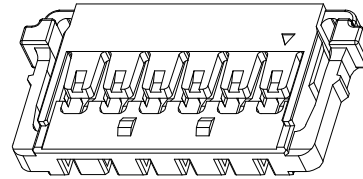
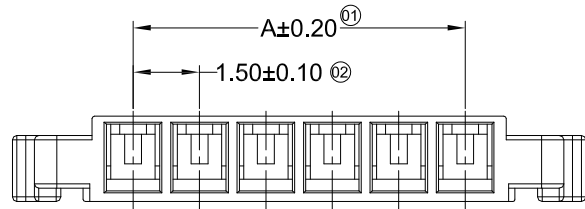


RoHS



■ Specifications :

- Voltage rating: 150V AC / DC
- Current rating: 3A AC / DC
- Withstanding voltage: 500V AC/minute
- Temperature range: -25° ~+85°
- Insulation resistance: ≥1000MΩ
- Contact resistance: ≤20mΩ
- After environmental testing: ≤40mΩ
- Suitable GYA Terminal:1503T
- Mates With GYA Wafer:1503WR

1503 H -XX X -N0 XX

① ② ③ ④ ⑤ ⑥

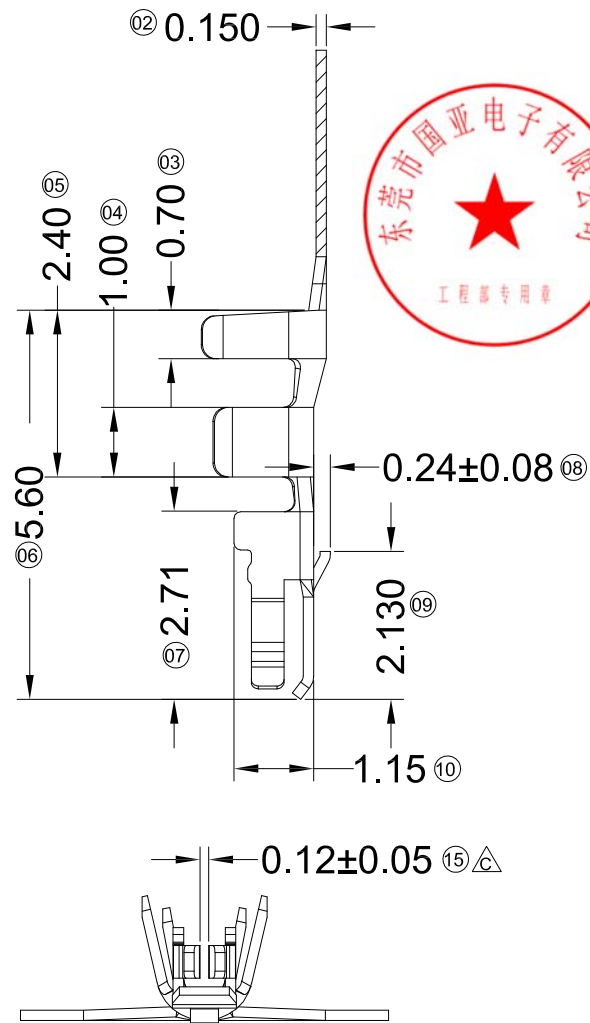
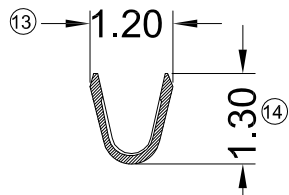
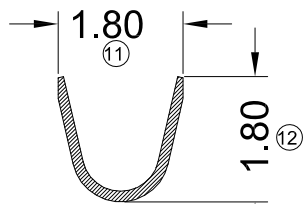
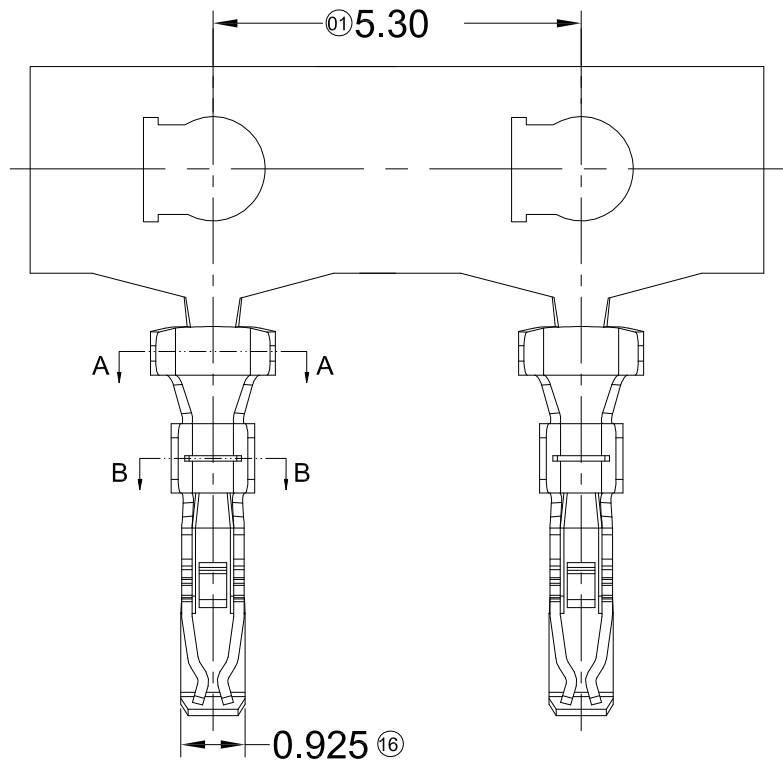
- ① Series No.
- ② Category: H-HSG
- ③ Row No.-Pin No.: XX-04~12P
- ④ Plug the Pin & special No.
- ⑤ Material: N0-PA66 94V-0
- ⑥ Color: Blank-Black color; WH-White

Poles	Dimensions(mm)			
	A	B	C	D
02		6.95	5.95	5.55
03	3.00	8.45	7.45	7.05
04	4.50	9.95	8.95	8.55
05	6.00	11.45	10.45	10.05
06	7.50	12.95	11.95	11.55
07	9.00	14.45	13.45	13.05
08	10.50	15.95	14.95	14.55
09	12.00	17.45	16.45	16.05
10	13.50	18.95	17.95	17.55
11	15.00	20.45	19.45	19.05
12	16.50	21.95	20.95	20.55



					GENERAL TOLERANCE .X ±0.35 .XX ±0.25 .XXX ±0.15 X.° ±2° PROJECT 				东莞市国亚电子有限公司 Connectors Dong Guan Guo Ya Connectors co., ltd.				PART NO. 1503H-XX-N0XX							
					APPROVAL Yangzhengguo				CHECK Yangzhengyi				DRAWN Lvtiansheng				DATE 2016/08/26			
									TITLE 1.50 mm Crimp Style Connectors											
DATE	REV	ECN NO	DESCRIPTION	MODIFY	APPROVAL					UNIT	SCALE	SHEET	REV	NUMBER						
1										mm	1:1	1/1	A0	A-000						

RoHS



■ Specifications :

- Voltage rating: 150V AC / DC
- Current rating: 3A AC / DC
- Withstanding voltage: 500V AC/minute
- Temperature range: -25° ~+85°
- Insulation resistance: ≥1000MΩ
- Contact resistance: ≤20mΩ
- After environmental testing: ≤40mΩ
- Wire Range:AWG#24-28
- Insulation O.D.:1.10mm(Max)
- Used In GYA Housing:1503H

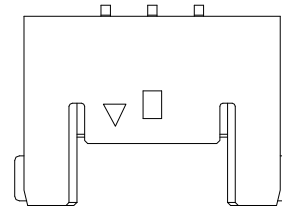
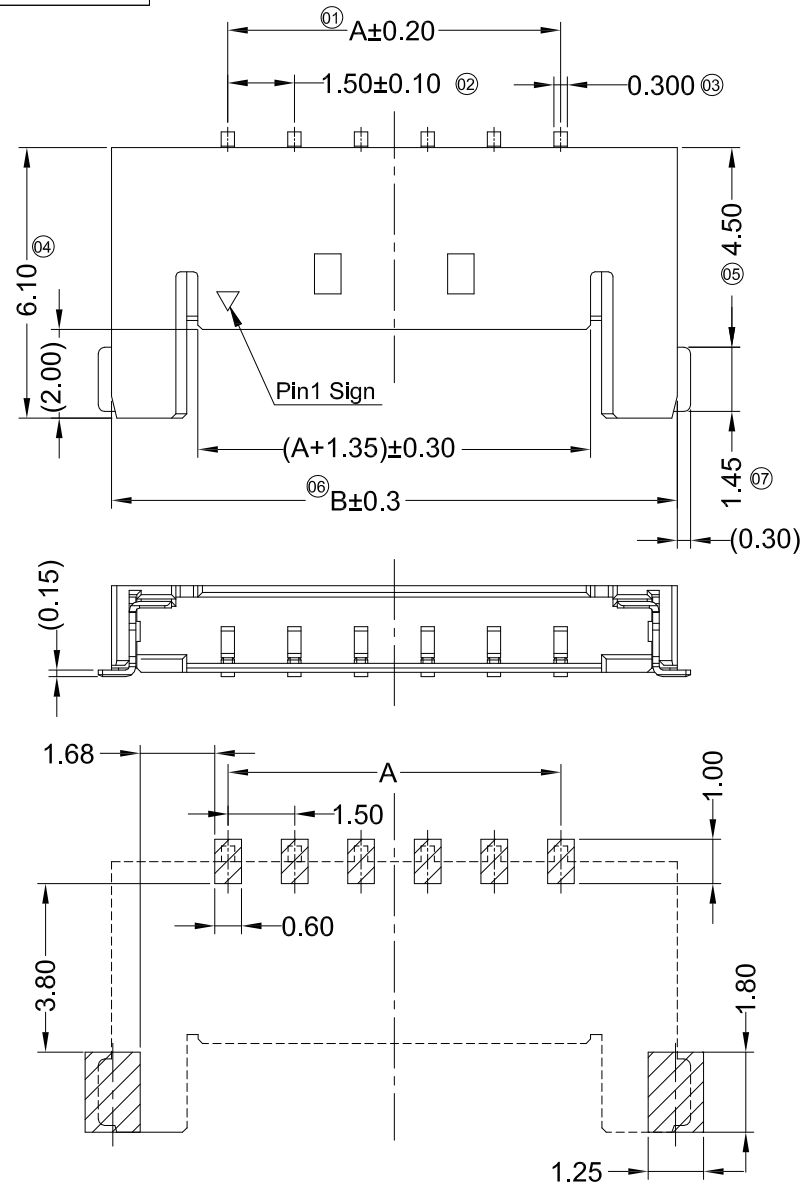
1503 T X-P XXX X-X

① ② ③ ④ ⑤ ⑥ ⑦

- ① Series Number
- ② Category: T-terminal
- ③ Shape: Blank-ordinary
- ④ Material : P-Phosphor bronze
- ⑤ Plating Code:  
V01-Gold Flash  
SN-Bright tin plating ;
- ⑥ Plating method:  
Blank-Stamping before plating
- ⑦ Mold No./Mark/Special No.

					<p>GENERAL TOLERANCE</p> <p>.X ±0.30</p> <p>.XX ±0.20</p> <p>.XXX ±0.10</p> <p>X.° ±2°</p>				<p><b>GYA</b> 东莞市国亚电子有限公司</p> <p>Connectors Dong Guan Guo Ya Connectors co., ltd.</p>				<p>PART NO. 1503T-PXXX</p>			
					<p>PROJECT</p> <p>Yangzhengguo Yangzhengyi Lvtiansheng</p>				<p>TITLE 1.50mm Crimp Style Connectors</p>							
					<p>APPROVAL</p>				<p>UNIT SCALE SHEET REV NUMBER</p>							
DATE	REV	ECN NO	DESCRIPTION	MODIFY	APPROVAL	Yangzhengguo	Yangzhengyi	Lvtiansheng	2016/08/26	mm	1:1	1/1	A0	A-159		

RoHS



02P~04P Single Hole  
Scale 1:0.7

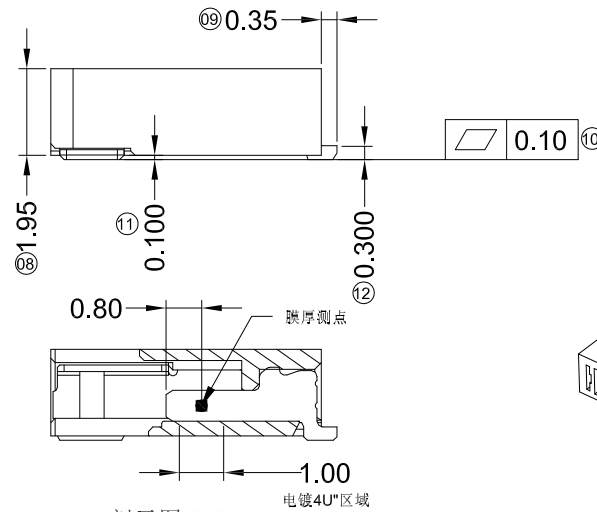


Specifications :

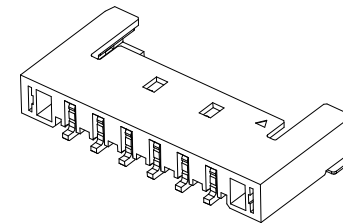
- Voltage rating: 150V AC / DC
- Current rating: 3A AC / DC
- Withstanding voltage: 500V AC/minute
- Temperature range: -25° ~+85°
- Insulation resistance: ≥1000MΩ
- Contact resistance: ≤20mΩ
- After environmental testing: ≤40mΩ

1503 W R S-XX XX-4T V04 BK  
① ② ③ ④ ⑤ ⑥ ⑦ ⑧ ⑨

- ① Series No.
- ② Category : W-wafer
- ③ Welding Board Angle: R- Right Angle 90°
- ④ Welding Way: S-SMT
- ⑤ Row No.-Pin No.: XX-02P~12P
- ⑥ Plug the Pin & Special No.
- ⑦ Material: 4T-PA4T 94V-0 ;
- ⑧ Planting Category: V01-Gold Flash  
V04-Gold Flash,Contact point 4U"
- ⑨ Color: Bk-Black



剖视图 A-A  
比例 1:1



Poles	Dimensions(mm)	
	A	B
02	1.50	6.75
03	3.00	8.25
04	4.50	9.75
05	6.00	11.25
06	7.50	12.75
07	9.00	14.25
08	10.50	15.75
09	12.00	17.25
10	13.50	18.75
11	15.00	20.25
12	16.50	21.75

1503WRS-XX-4TV01BK	PA4T UL 94V-0	Brass	Gold-FlashContact point 4U"	Brass	Plating Tin	1503H
PART NO	Material	Material(Pin)	Finish(Pin)	Material (Solder Tabs)	Finish (Solder Tabs)	Mates With GYA Housing

GENERAL TOLERANCE
.X ±0.30
.XX ±0.20
.XXX ±0.10
X.° ±2°
PROJECT
① ②



东莞市国亚电子有限公司  
Dong Guan Guo Ya Connectors co., ltd.

APPROVAL CHECK DRAWN DATE

Yangzhengguo Yangzhengyi Lvtiansheng 2016/08/26

PART NO. 1503WRS-XX-4TVXXBK				
TITLE 1.50 mm Crimp Style Connectors				
UNIT	SCALE	SHEET	REV	NUMBER
mm	1:1	1/1	A0	A-159

DATE	REV	ECN NO	DESCRIPTION	MODIFY	APPROVAL
1					
2					
3					
4					