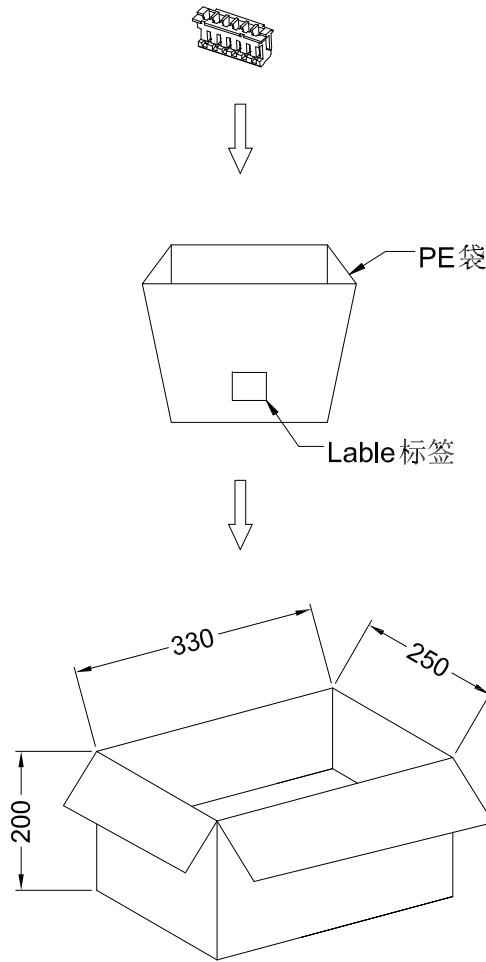


RoHS

包装图



Note注解:

1. Put Housing in a PE bag, PE bag gauge for: 130 \* 135 \* 0.10 mm, Packing detail see the table below

将 Housing放入PE袋内, PE袋规为:130\*135\*0.10mm, 详细包装见下表

2. Put PE bag packed products in specifications of 330 \* 250 \* 300 mm cartons, Packing detail see the table below

将装好产品的PE袋放入规格为330\*250\*200mm的纸箱内, 详细包装见下表

3. Label depends on customer request, carton opening joint with transparent tape

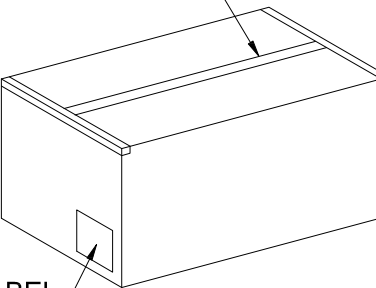
标签依客户要求而定, 纸箱开口处用透明胶带贴合.



Poles	Bag PCS	CARTON Bag	CARTON PCS
02	1000	75	75K
03	1000	75	75K
04	1000	75	75K
05	1000	75	75K
06	1000	75	75K
07	1000	75	75K
08	1000	75	75K
09	1000	75	75K
10	1000	75	75K
11	1000	75	75K
12	1000	75	75K
13	1000	75	75K
14	1000	75	75K
15	1000	75	75K

胶带ADHESIVE TAPE

标签LABEL



GENERAL TOLERANCE

.X ±0.35

.XX ±0.25

.XXX ±0.15

X° ±0.2°

视图

第一角画法



东莞市国亚电子有限公司  
Dong Guan Guo Ya Connectors co., Ltd.

APPROVAL

CHECK

DRAWN

DATE

Yangzhengguo

Yangzhengyi

Lvtiansheng

2016/08/26

PART NO.:

1502H-XX-XX

TITLE:

1.50mm Housing Package

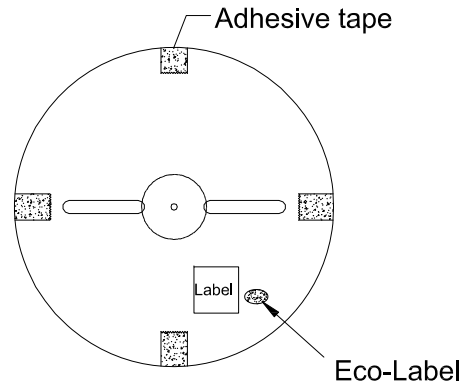
UNIT SCALE SHEET REV NUMBER

mm 1:1 1/1 A0 A-106

DATE	REV	ECN NO.	DESCRIPTION	MODIFY	APPROVAL

RoHS

包装图



Note注解:

1.Quantity 数量:

10K PCS/REEL 一卷12K/PCS

10 REEL/BOX 一箱10卷

100K PCS/BOX 一箱120K/PCS

2.Each reel and outer box must be labeled and Eco-Label Respectively labeled

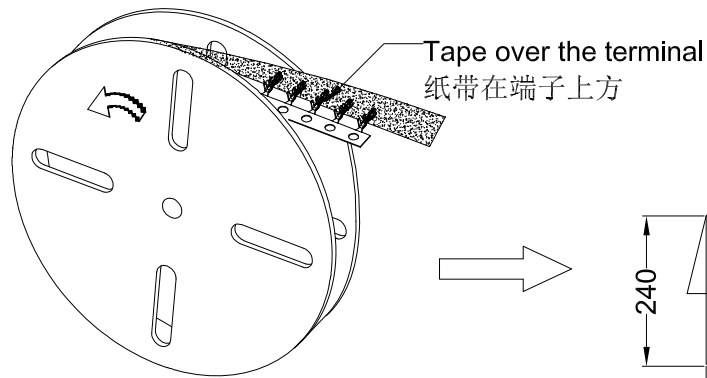
每盘和外箱都必须有标签及环保标签分别标示

3.Terminal winding direction as shown

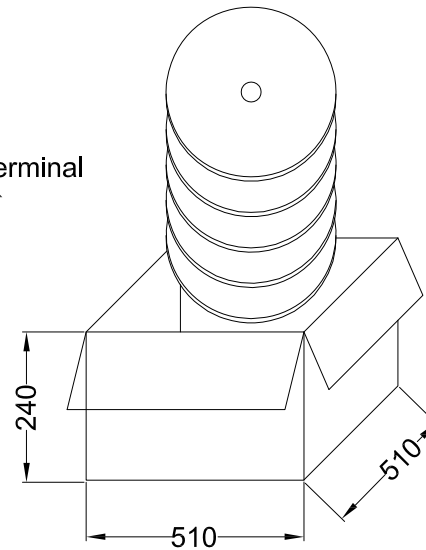
端子缠绕方向如左图所示

4.There shall be no dirt such as deformation phenomenon, Mantissa box fillers must be used

每箱不可有脏污, 变形现象, 尾数箱必须用填充物

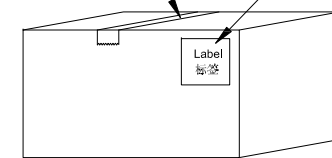


卷装方式  
Package way



Adhesive tape 胶带

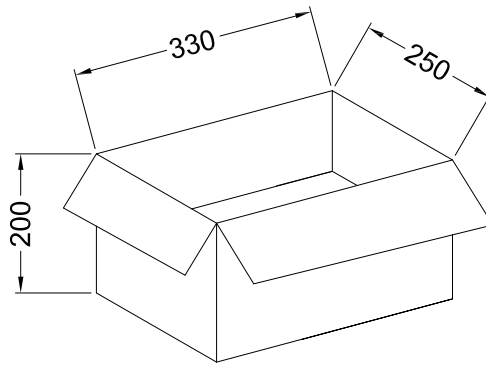
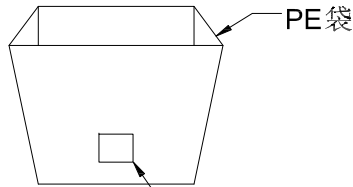
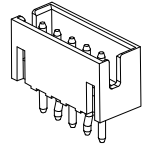
Label unified on the box top right corner  
外箱标签位于右上角



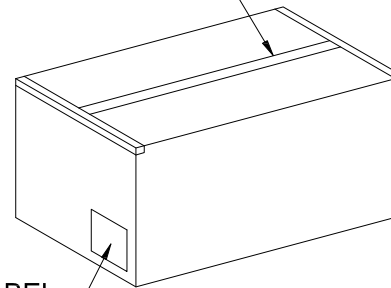
				GENERAL TOLERANCE		PART NO.: 1502T-PXX				
				.X ±0.35		TITLE: 1.50mm Terminal Packing				
				.XX ±0.25		UNIT SCALE SHEET REV NUMBER				
				.XXX ±0.15		mm 1:1 1/1 A0 A-106				
				X° ±0.2°		APPROVAL CHECK DRAWN DATE				
				视 角		Yangzhengguo Yangzhengyi Lvtiansheng 2016/08/26				
DATE	REV	ECN NO.	DESCRIPTION	MODIFY	APPROVAL	G YA 东莞市国亚电子有限公司 Connectors Dong Guan Guo Ya Connectors co., Ltd.				

RoHS

包装图



胶带ADHESIVE TAPE



Note注解:

1. Put Housing in a PE bag, PE bag gauge for: 130 \* 135 \* 0.10 mm, Packing detail see the table below

将 Housing放入PE袋内, PE袋规为:130\*135\*0.10mm, 详细包装见下表

2. Put PE bag packed products in specifications of 330 \* 250 \* 300 mm cartons, Packing detail see the table below

将装好产品的PE袋放入规格为330\*250\*200mm的纸箱内, 详细包装见下表

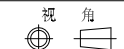
3. Label depends on customer request, carton opening joint with transparent tape

标签依客户要求而定, 纸箱开口处用透明胶带贴合.



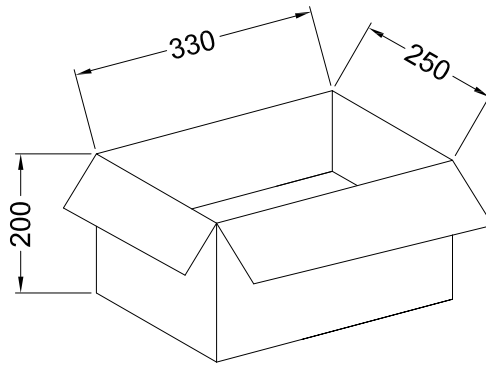
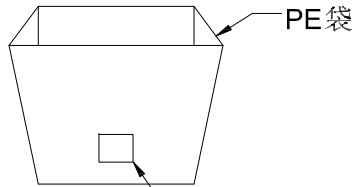
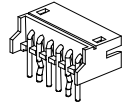
Poles	Bag PCS	CARTON Bag	CARTON PCS
02	1000	75	75K
03	1000	75	75K
04	1000	75	75K
05	1000	75	75K
06	1000	75	75K
07	1000	75	75K
08	1000	75	75K
09	1000	75	75K
10	1000	75	75K
11	1000	75	75K
12	1000	75	75K
13	1000	75	75K
14	1000	75	75K
15	1000	75	75K

DATE	REV	ECN NO.	DESCRIPTION	MODIFY	APPROVAL	GENERAL TOLERANCE	<b>东莞市国亚电子有限公司</b> Dong Guan Guo Ya Connectors co., Ltd.				PART NO.: 1502WV-XXXX-XXXX TITLE: 1.50mm Wafer Package				
						APPROVAL	CHECK	DRAWN	DATE	UNIT	SCALE	SHEET	REV	NUMBER	
						.X ±0.35	Yangzhengguo	Yangzhengyi	Lvtiansheng	2016/08/26	mm	1:1	1/1	A0	A-106
						.XX ±0.25									
						.XXX ±0.15									
						X° ±0.2°									

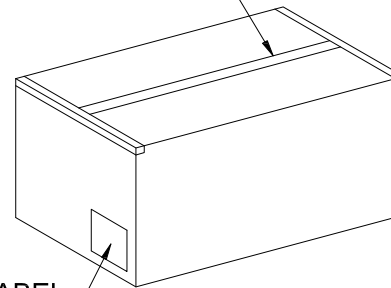


RoHS

包装图



胶带ADHESIVE TAPE



Note注解:

1. Put Housing in a PE bag, PE bag gauge for: 130 \* 135 \* 0.10 mm, Packing detail see the table below

将 Housing放入PE袋内, PE袋规为:130\*135\*0.10mm, 详细包装见下表

2. Put PE bag packed products in specifications of 330 \* 250 \* 300 mm cartons, Packing detail see the table below

将装好产品的PE袋放入规格为330\*250\*200mm的纸箱内, 详细包装见下表

3. Label depends on customer request, carton opening joint with transparent tape

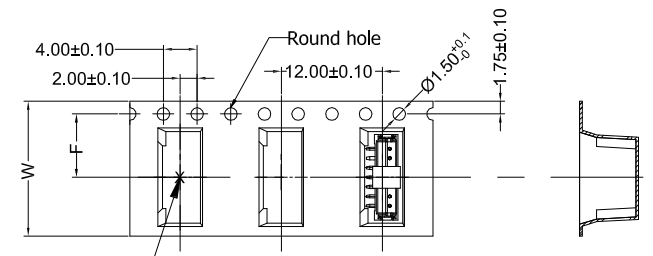
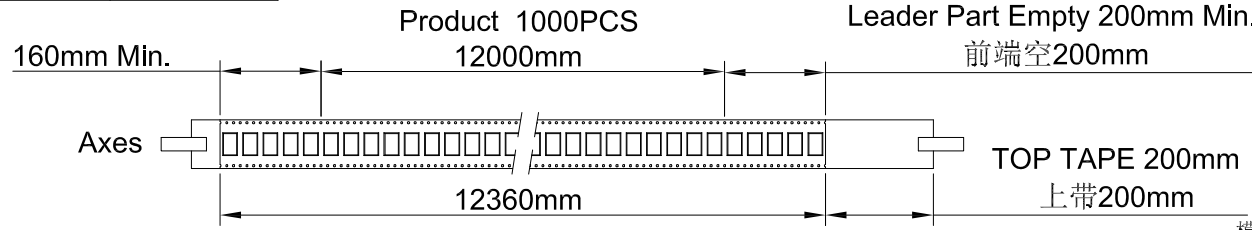
标签依客户要求而定, 纸箱开口处用透明胶带贴合.



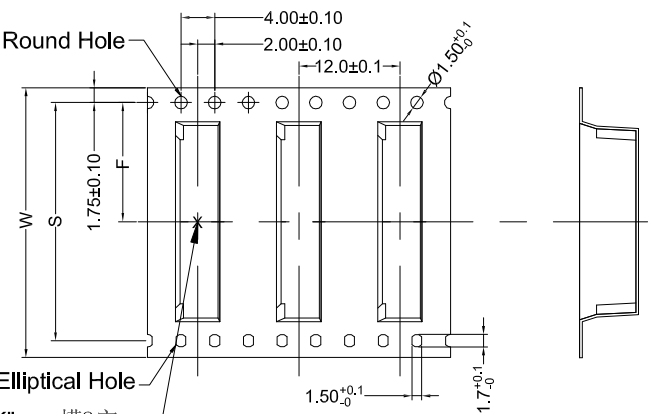
Poles	Bag PCS	CARTON Bag	CARTON PCS
02	1000	75	75K
03	1000	75	75K
04	1000	75	75K
05	1000	75	75K
06	1000	75	75K
07	1000	75	75K
08	1000	75	75K
09	1000	75	75K
10	1000	75	75K
11	1000	75	75K
12	1000	75	75K
13	1000	75	75K
14	1000	75	75K
15	1000	75	75K

DATE	REV	ECN NO.	DESCRIPTION	MODIFY	APPROVAL	GENERAL TOLERANCE	<b>东莞市国亚电子有限公司</b> Dong Guan Guo Ya Connectors Co., Ltd.				PART NO.: 1502WR-XXXX-XXXX TITLE: 1.50mm Wafer Package							
DATE	REV	ECN NO.	DESCRIPTION	MODIFY	APPROVAL	UNIT	SCALE	SHEET	REV	NUMBER								
						.X ±0.35	mm	1:1	1/1	A0	A-106							
						.XX ±0.25												
						.XXX ±0.15												
						X° ±0.2°												
						视图												
											APPROVAL	CHECK	DRAWN	DATE				
											Yangzhengguo	Yangzhengyi	Lvtiansheng	2016/08/26				

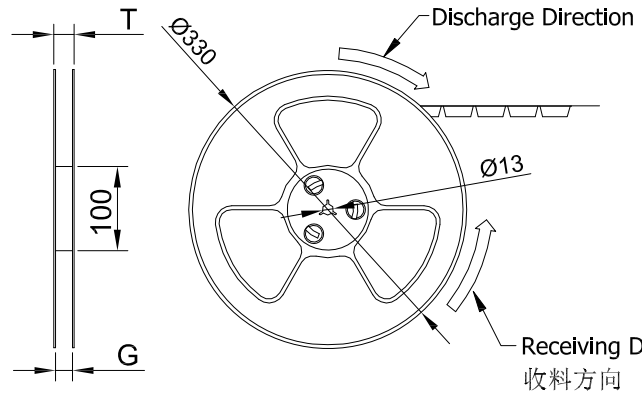
RoHS 包装图



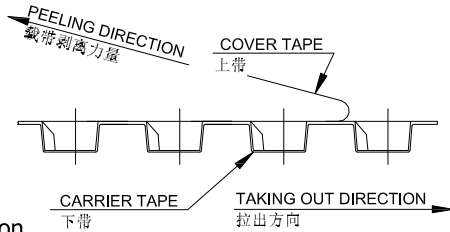
模穴号"K", 一模8穴



模穴号"K", 一模8穴

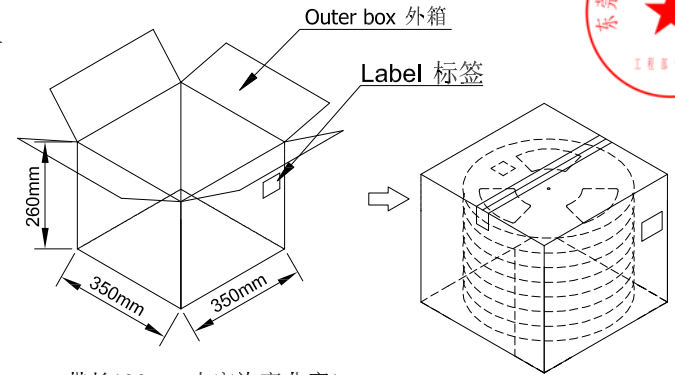
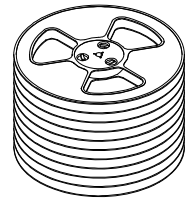


COVER TAPE PEEL STRENGTH:20~120g  
上带剥离力量: 20~120g  
速度PEEL SPEED:300mm/minute



1502WVS-XX-9TSW-XX

空码-上带冷封  
RQ-上带热封



**Note:**

- Carrier Camber Is Within 1mm In 100mm ; 带长100mm 内容许弯曲度1mm
- 10 Sprocket Hole Pitch Cumulative Tolerance±0.2MM ; 圆孔十个孔距离累计允许公差为±0.2mm
- Material for PS ; 材质为PS材质, 透明色
- Thickness=0.40±0.05 ; 材料厚度为0.40±0.05mm

Pln No.	W	S	F	T	G	REEL /PCS	CARTON /R	CARTON /PCS
ZD1502WVS-02HF	16	/	7.50	20.50	16.40	1000	11R	11000
ZD1502WVS-03HF								
ZD1502WVS-04HF	24	/	11.50	28.50	24.40	1000	8R	8000
ZD1502WVS-05HF								
ZD1502WVS-06HF								
ZD1502WVS-07HF								
ZD1502WVS-08HF								
ZD1502WVS-09HF								
ZD1502WVS-10HF	32	28.40	14.20	36.50	32.40	1000	6R	6000
ZD1502WVS-11HF								
ZD1502WVS-12HF								
ZD1502WVS-13HF								
ZD1502WVS-14HF	44	40.40	20.20	48.50	44.40	1000	5R	5000
ZD1502WVS-15HF								
ZD1502WVS-16HF								

ZD1502WVS-XXHF  
1502WVS-XX-XXXX-XX

DATE	REV	ECN NO.	DESCRIPTION	MODIFY	APPROVAL
1					
2					
3					
4					

GENERAL TOLERANCE	
.X	±0.35
.XX	±0.25
.XXX	±0.15
X.°	±0.2°



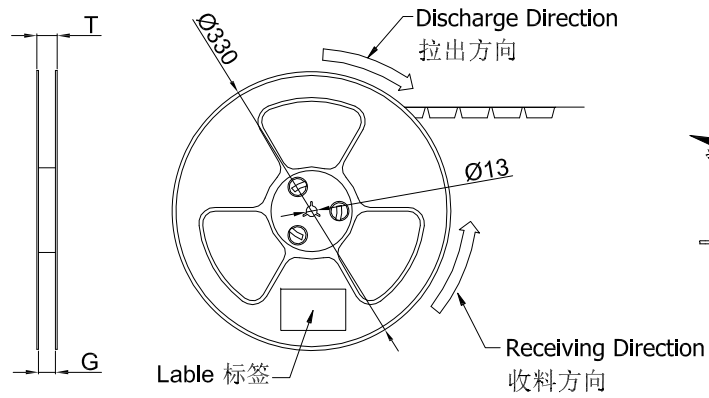
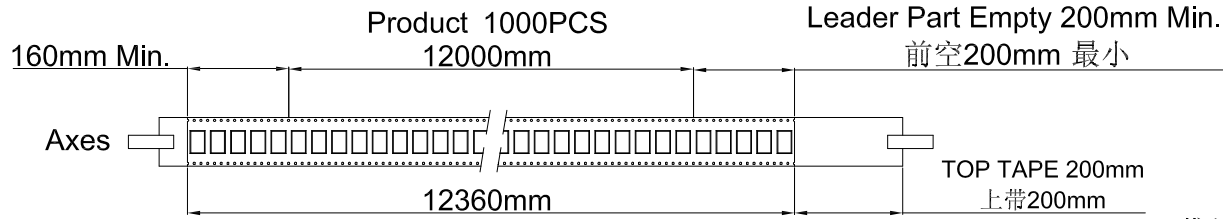
东莞市国亚电子有限公司  
Dong Guan Guo Ya Connectors co., Ltd.

APPROVAL	CHECK	DRAWN	DATE
Yangzhengguo	Yangzhengyi	Lvtiansheng	2016/08/26

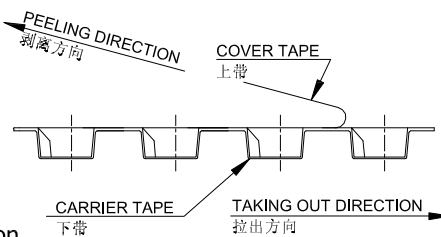
PART NO.: PPN: ZD1502WVS-XXHF  
CPN: 1502WVS-XX-XXXX-XX

TITLE: 1.50mm SMT 180° Package				
UNIT	SCALE	SHEET	REV	NUMBER
mm	1:1	1/1	A0	A-007

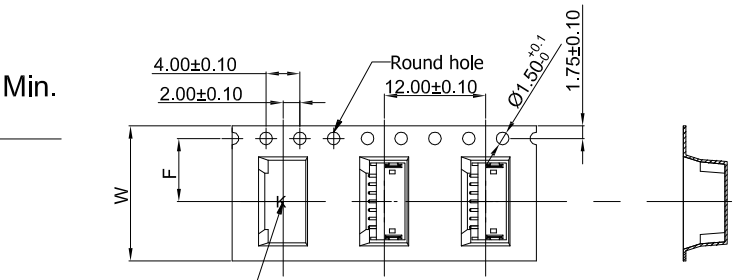
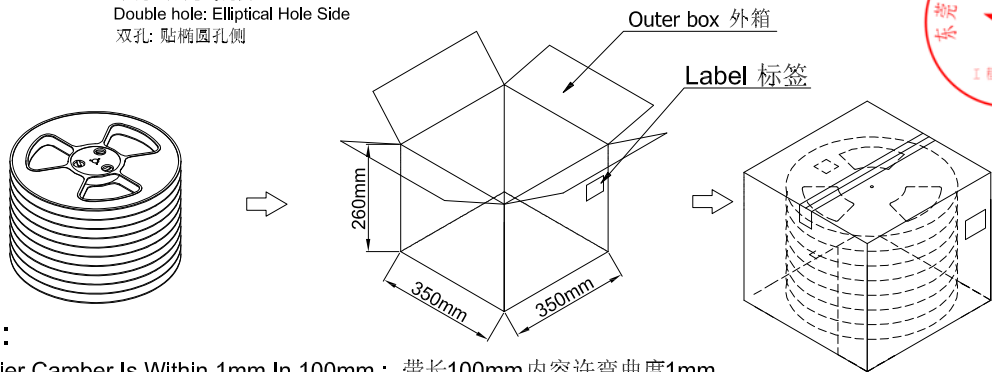
RoHS 包装图



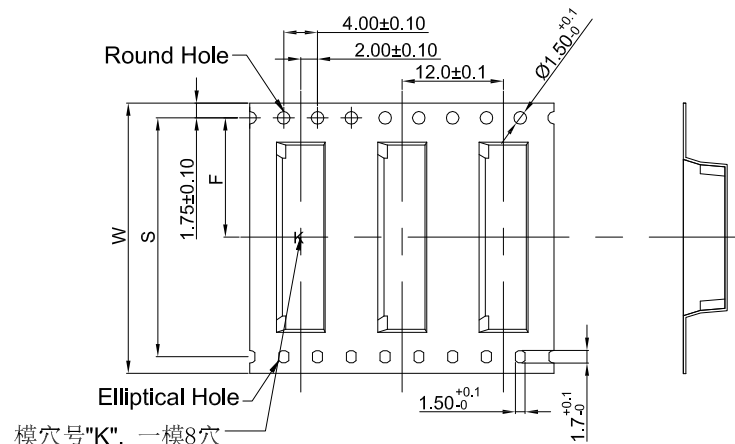
COVER TAPE PEEL STRENGTH: 20~120g  
 上带剥离力量: 20~120g  
 速度 PEEL SPEED: 300mm/minute



Lable 标签  
 Single hole: None Hole Side  
 单孔: 贴无链孔侧  
 Double hole: Elliptical Hole Side  
 双孔: 贴椭圆孔侧



模穴号"K", 一模8穴



模穴号"K", 一模8穴

	Pin No.	W	S	F	T	G	REEL /PCS	CARTON /R	CARTON /PCS
ZD1502WRS-XXHF 1502WRS-XX-XXXX	ZD1502WRS-02HF	16	/	7.50	20.50	16.40	1000	11R	11000
	ZD1502WRS-03HF								
	ZD1502WRS-04HF								
	ZD1502WRS-05HF								
	ZD1502WRS-06HF	24	/	11.50	28.50	24.40	1000	8R	8000
△ ZD1502WRS-XXHF 1502WRS-XX-XXXX	ZD1502WRS-07HF								
	ZD1502WRS-08HF								
	ZD1502WRS-09HF								
	ZD1502WRS-10HF	32	28.40	14.20	36.50	32.40	1000	7R	7000
	ZD1502WRS-11HF								
ZD1502WRS-XXHF 1502WRS-XX-XXXX	ZD1502WRS-12HF								
	ZD1502WRS-13HF								
	ZD1502WRS-14HF	44	40.40	20.20	48.50	44.40	1000	5R	5000
	ZD1502WRS-15HF								
	ZD1502WRS-16HF								

- Note:**
- Carrier Camber Is Within 1mm In 100mm; 带长100mm 内容许弯曲度1mm
  - 10 Sprocket Hole Pitch Cumulative Tolerance±0.2MM; 圆孔十个孔距离累计允许公差为±0.2mm
  - Material for PS; 材质为PS材质
  - Thickness=0.40±0.05; 材料厚度为0.40±0.05mm △
  - Carton material 纸箱材质:K=K; Carton Thickness 纸箱厚度: 6~7mm

					GENERAL TOLERANCE				PART NO.: PPN: 1502WRS-XX-XXXX CTN: ZD1502WRS-XXHF				
					.X ±0.35				TITLE: 1.50mm SMT 90° Packing				
					.XX ±0.25				UNIT SCALE SHEET REV NUMBER				
					.XXX ±0.15				mm 1:1 1/1 A0 A-007				
					X° ±0.2°				APPROVAL CHECK DRAWN DATE				
					视 角				Yangzhengguo Yangzhengyi Lvtiansheng 2016/08/26				
DATE	REV	ECN NO.	DESCRIPTION	MODIFY	APPROVAL								
1													
2													
3													
4													
5													
6													
7													
8													