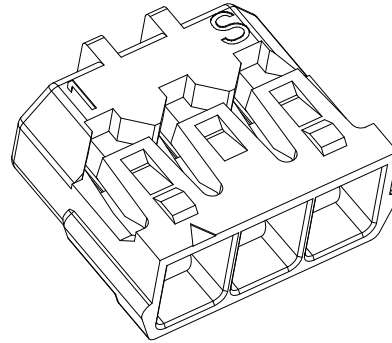
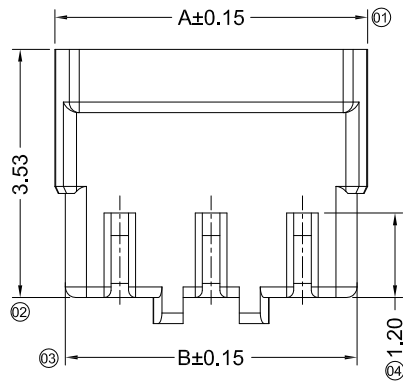
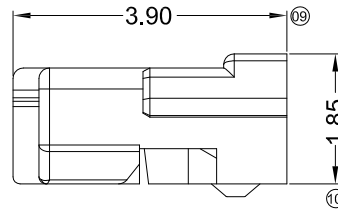
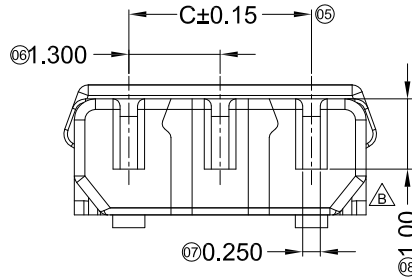


RoHS



Specifications :

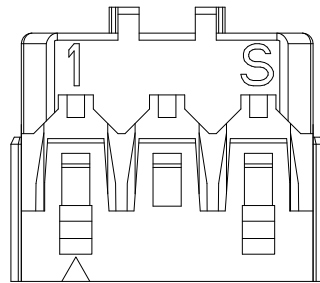
- Voltage rating: 30V AC / DC
- Current rating: 3.0A AC / DC
- Withstanding voltage: 500V AC/minute
- Temperature range: -25° ~+85°
- Insulation resistance: ≥100MΩ
- Contact resistance: ≤20mΩ
- After environmental testing: ≤40mΩ
- Suitable GYA Terminal: 1302T
- Suitable GYA Wafer: 1302WRS



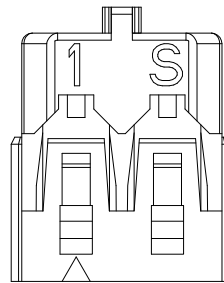
1302 H X-1xXX- NL N B H 01 F

① ② ③ ④ ⑤ ⑥ ⑦ ⑧ ⑨ ⑩

- ① Series No.
- ② Category: H-Housing
- ③ Welding Board Angle: Blank-ordinary
- ④ Row No.-Pin No.: 1xXX-1x02~1x12P
- ⑤ Material: NL-PA66 94V-0
- ⑥ Color: N-natural color
- ⑦ Packag: B-Bag
- ⑧ Green code: H-Halogen Free
- ⑨ Water code:01
- ⑩ F-Other Connectors



3~12Pin Shape



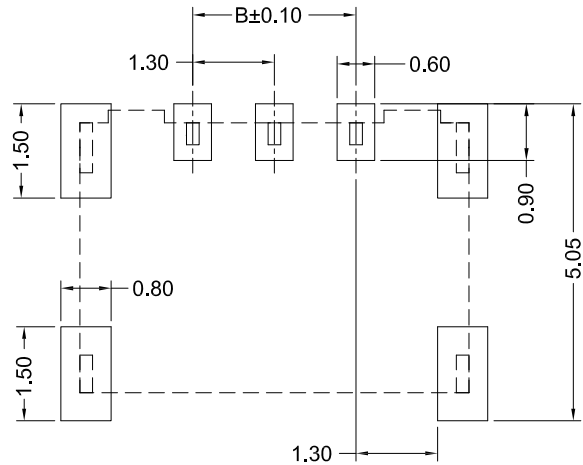
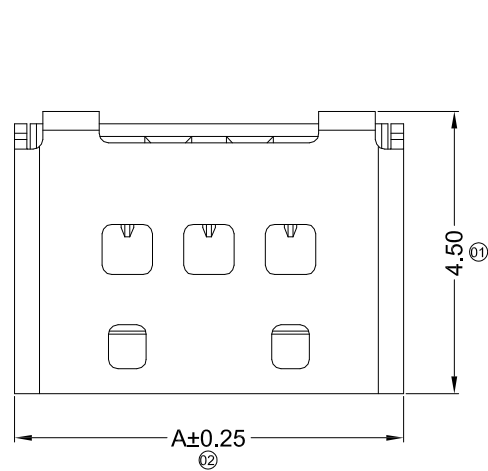
2Pin Shape



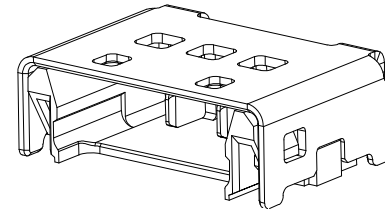
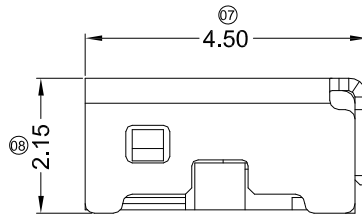
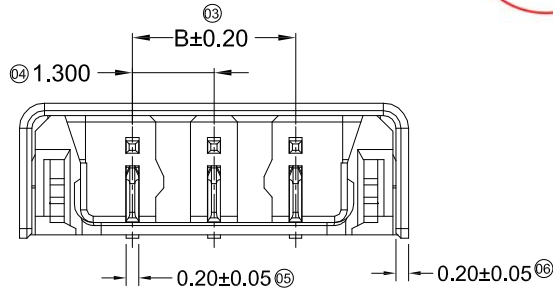
Poles	Dimensions(mm)		
	AB		C
1x02	3.15	2.85	1.30
1x03	4.45	4.15	2.60
1x04	5.75	5.45	3.90
1x05	7.05	6.75	5.20
1x06	8.35	8.05	6.50
1x07	9.65	9.35	7.80
1x08	10.95	10.65	9.10
1x09	12.25	11.95	10.40
1x10	13.55	13.25	11.70
1x11	14.85	14.55	13.00
1x12	16.15	15.85	14.30

					GENERAL TOLERANCE .X ±0.30 .XX ±0.20 .XXX ±0.10 X.° ±2° PROJECT 				GYA 东莞市国亚电子有限公司 Connectors Dong Guan Guo Ya Connectors co., ltd.				PART NO. 1302H-1xXX-NLNBH01F TITLE 1.30 mm Crimp Style Connectors				
DATE	REV	ECN NO.	DESCRIPTION	MODIFY	APPROVAL	APPROVAL	CHECK	DRAWN	DATE	UNIT	SCALE	SHEET	REV	NUMBER			
1						Yangzhengguo	Yangzhengyi	Lvtiansheng	2016/08/26	mm	1:1	1/1	A0	A-022			

RoHS



Recommended P.C.B Layout
General Tolerance±0.05



Specifications :

- Voltage rating: 30V AC / DC
- Current rating: 3.0A AC / DC
- Withstanding voltage: 500V AC/minute
- Temperature range: -40° ~+105°
- Insulation resistance:≥100MΩ
- Contact resistance: ≤20mΩ
- After environmental testing: ≤40mΩ
- Mates With GYA Housing:1302H

1302 WR S-1xXX-4T XH 10 R H 001 F
① ② ③ ④ ⑤ ⑥ ⑦ ⑧ ⑨ ⑩ ⑪ ⑫ ⑬

- ① Series No.
- ② Category: W-wafer
- ③ Welding Board Angle: R- 90°
- ④ Welding Way: S-SMT
- ⑤ Row No.-Pin No.: 1xXX-1x02~1x12P
- ⑥ Plastic material: 4T-PA4T 94V-0 ;
- ⑦ Color: B-Black; N-Natural
- ⑧ Metal material: H-High conductivity copper
- ⑨ Planting Category: 10-All Gold Flash
- ⑩ Packag: R-Reel
- ⑪ Green code: H-Halogen-Free
- ⑫ Water code:001
- ⑬ F-Other Connectors

Poles	Dimensions (mm)	
	A	B
1x02	4.90	1.30
1x03	6.20	2.60
1x04	7.50	3.90
1x05	8.80	5.20
1x06	10.10	6.50
1x07	11.40	7.80
1x08	12.70	9.10
1x09	14.00	10.40
1x10	15.30	11.70
1x11	16.60	13.00
1x12	17.90	14.30

DATE	REV	ECN NO	DESCRIPTION	MODIFY	APPROVAL	PROJECT	APPROVAL	CHECK	DRAWN	DATE	UNIT	SCALE	SHEET	REV	NUMBER
1						Yangzhengguo		Yangzhengyi	Lvtiansheng	2016/08/26	mm	1:1	1/1	A0	A-000

GENERAL TOLERANCE

.X ±0.35

.XX ±0.25

.XXX ±0.15

X.° ±2°

PROJECT

① ②



东莞市国亚电子有限公司
Dong Guan Guo Ya Connectors co., ltd.

PART NO.
1302WRS-1xXX-4TXH10RH001F

TITLE
1.30 mm Crimp Style Connectors