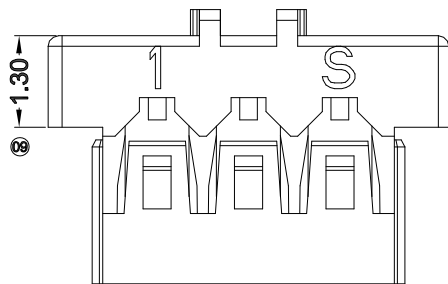
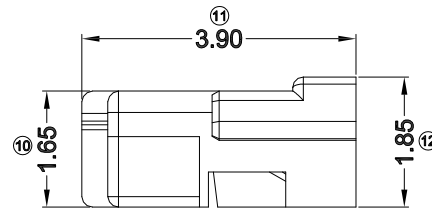
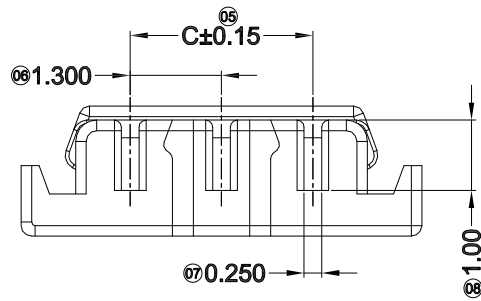
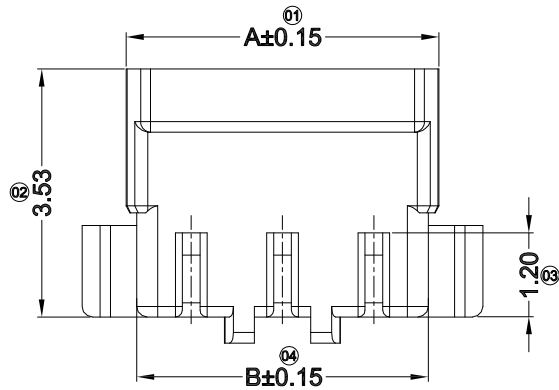
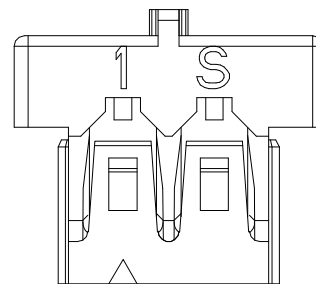


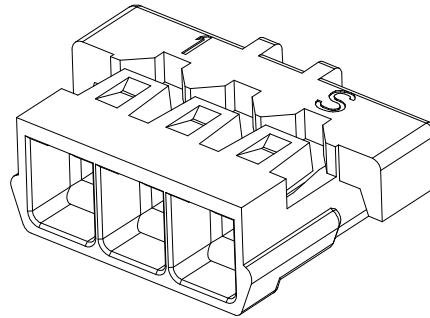
RoHS



3~12Pin Shape



2Pin Shape



Specifications :

- Voltage rating: 30V AC / DC
- Current rating: 3.0A AC / DC
- Withstanding voltage: 500V AC/minute
- Temperature range: -40°C~+105°C
- Insulation resistance: ≥100MΩ
- Contact resistance: ≤20mΩ
- After environmental testing: ≤40mΩ
- Suitable GYA Terminal: 1300T
- Suitable GYA Wafer: 1300WRS

1300 H X-1xXX- NL N B H 01 F

① ②③ ④ ⑤ ⑥⑦⑧ ⑨ ⑩

- ① Series No.
- ② Category: H-Housing
- ③ Welding Board Angle: Blank-ordinary
- ④ Row No.-Pin No.: 1xXX-1x02~1x12P
- ⑤ Material: NL-PA66 94V-0
- ⑥ Color: N-natural color B-Black
- ⑦ Packag: B-Bag
- ⑧ Green code: H-Halogen Free
- ⑨ Water code:01
- ⑩ F-Other Connectors

Poles	Dimensions(mm)		
	A	B	C
1x02	3.15	2.85	1.30
1x03	4.45	4.15	2.60
1x04	5.75	5.45	3.90
1x05	7.05	6.75	5.20
1x06	8.35	8.05	6.50
1x07	9.65	9.35	7.80
1x08	10.95	10.65	9.10
1x09	12.25	11.95	10.40
1x10	13.55	13.25	11.70
1x11	14.85	14.55	13.00
1x12	16.15	15.85	14.30

DATE	REV	ECN NO	DESCRIPTION	MODIFY	APPROVAL
1					
2					
3					
4					
5					

GENERAL TOLERANCE	
.X	±0.35
.XX	±0.25
.XXX	±0.15
X.°	±2°
PROJECT	
⊕	□

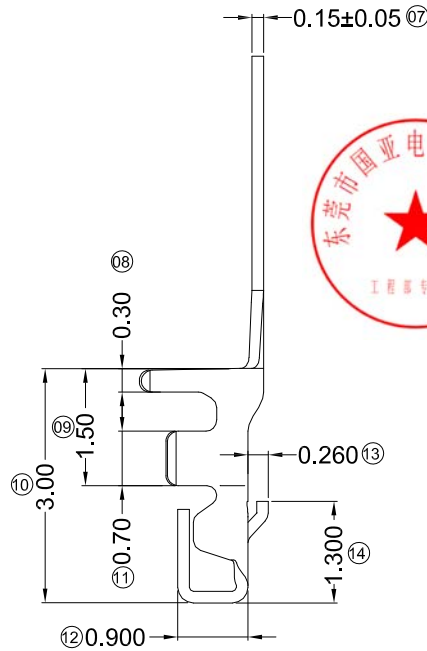
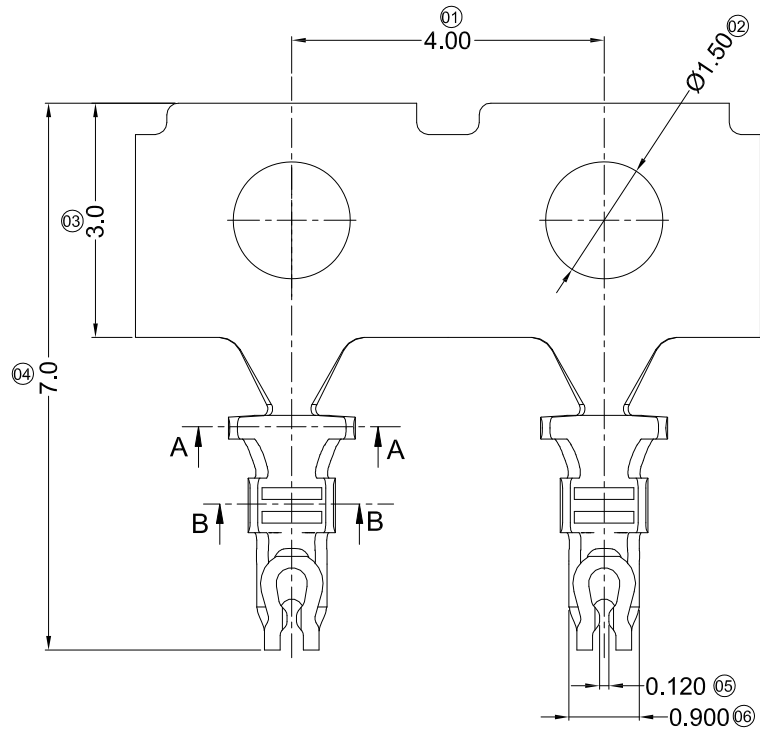


东莞市国亚电子有限公司
Dong Guan Guo Ya Connectors co., Ltd.

APPROVAL	CHECK	DRAWN	DATE
Yangzhengguo	Yangzhengyi	Lvtiansheng	2016/08/26

PART NO.				
1300H-1xXX-NLXBH01F				
TITLE				
1.30 mm Crimp Style Connectors				
UNIT	SCALE	SHEET	REV	NUMBER
mm	1:1	1/1	A0	A-022

RoHS



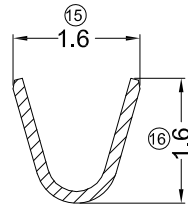
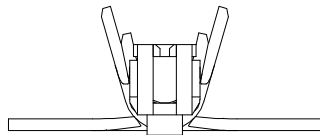
Specifications :

- Voltage rating: 30V AC / DC
- Current rating: 3.0A AC / DC
- Withstanding voltage: 500V AC/minute
- Temperature range: -40° ~+105°
- Insulation resistance: ≥100MΩ
- Contact resistance: ≤20mΩ
- After environmental testing: ≤30mΩ
- Wire Range: AWG#26~28
- Insulation O.D:0.98mm (Max)
- Used In GYA Housing:1300H

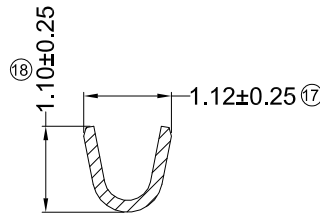
1300 T X X-H 10 S X-01 F

① ②③④⑤⑥⑦⑧⑨⑩

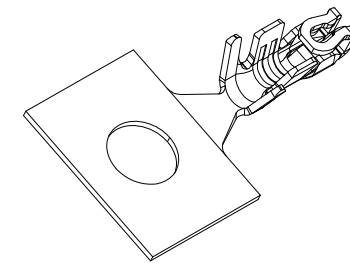
- ① Series Number
- ② Category: T-terminal
- ③ Shape: Blank-ordinary
- ④ Appearance encoding:Blank-Ordinary
- ⑤ Material: H-High conductivity copper
- ⑥ Plating style: 10- Whole Gold :Gold Flash
- ⑦ Plating method: S-Stamping before plating
- ⑧ Special No: Blank-Normal Leads
- ⑨ Water code:01
- ⑩ F-Other Connectors



SECTION A-A
SCALE 1:1

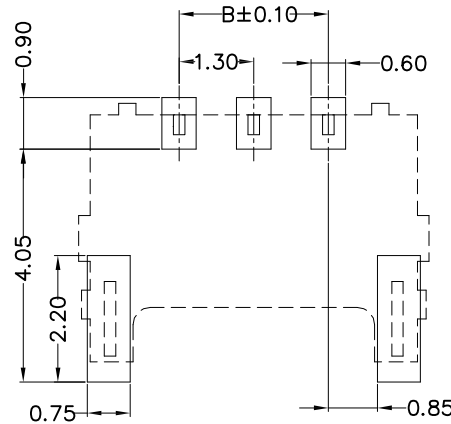
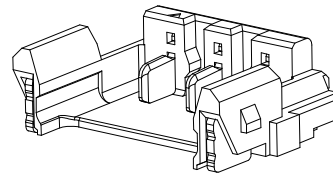
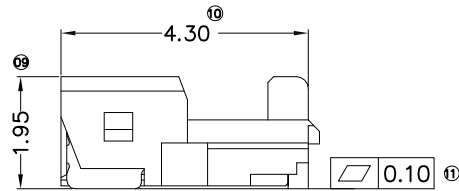
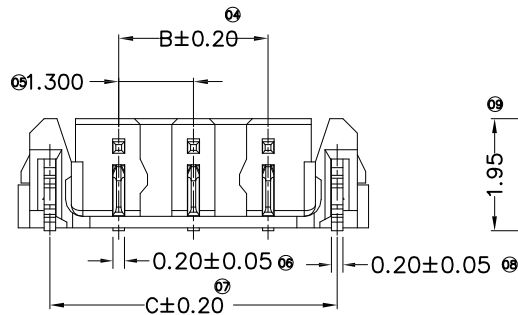
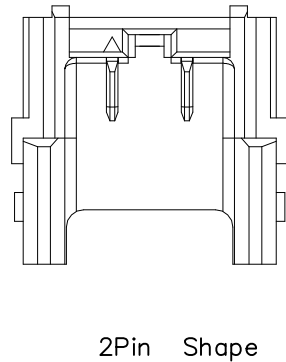
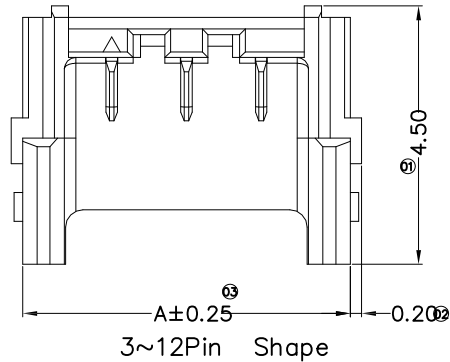


SECTION B-B
SCALE 1:1



					GENERAL TOLERANCE .X ±0.35 .XX ±0.25 .XXX ±0.15 X.° ±2° PROJECT 				GYA 东莞市国亚电子有限公司 Connectors Dong Guan Guo Ya Connectors co., ltd.				PART NO. 1300T-H10S-01F TITLE 1.30 mm Crimp Style Connectors				
DATE	REV	ECN NO	DESCRIPTION	MODIFY	APPROVAL	APPROVAL	CHECK	DRAWN	DATE	UNIT	SCALE	SHEET	REV	NUMBER			
						Yangzhengguo	Yangzhengyi	Lvtiansheng	2016/08/26	mm	1:1	1/1	A0	A-295			

RoHS



■ Specifications

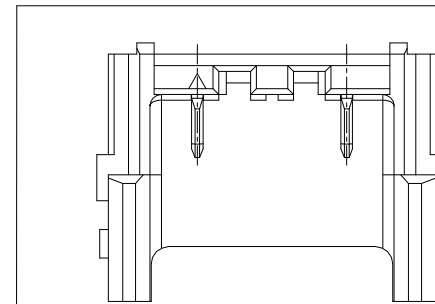
- Voltage rating: 30V AC / DC
- Current rating: 3.0A AC / DC
- Withstanding voltage: 500V AC/minute
- Temperature range: -25° ~+85°
- Insulation resistance: ≥100MΩ
- Contact resistance: ≤20mΩ
- After environmental testing: ≤40mΩ
- Mates With GYA Housing:1300H

1300W R S-1xXX 4TXH 10RH 001F
① ② ③ ④ ⑤ ⑥ ⑦ ⑧ ⑨ ⑩ ⑪ ⑫ ⑬

- ① SeriesNo.
- ② Category : W-wafer
- ③ WeldingBoardAngle: R- 90°
- ④ WeldingWay: S-SMT
- ⑤ RowNo.-Pin No.: 1xXX-1x02~1x12P
- ⑥ Plastic material : 4T-PA4T 94V-0 ;
- ⑦ Color: B-Black; N-Natural
- ⑧ Metal material:H-High conductivity copper
- ⑨ Planting Category: 10-All Gold Flash
- ⑩ Packag: R-Reel
- ⑪ Green code : H-Halogen-Free
- ⑫ Water code:001-Normal PIN number
002-3Pin, missing 1PIN.number
- ⑬ F-Other Connectors

备注说明

1300WRS-1xXX-4TXH10RH001F	正常PIN 料号
1300WRS-1x03-4TXH10RH002F	3Pin中间缺1PIN 料号



3Pin中间缺1PIN 视图
料号为: 1300WRS-1x03-4TXH10RH002F

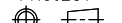
Poles	Dimensions (mm)		
	A	B	C
1x02	4.40	1.30	3.70
1x03	5.70	2.60	5.00
1x04	7.00	3.90	6.30
1x05	8.30	5.20	7.60
1x06	9.60	6.50	8.90
1x07	10.90	7.80	10.20
1x08	12.20	9.10	11.50
1x09	13.50	10.40	12.80
1x10	14.80	11.70	14.10
1x11	16.10	13.00	15.40
1x12	17.40	14.30	16.70



GENERAL TOLERANCE

.X	±0.30
.XX	±0.20
.XXX	±0.10
X.*	±2°

PROJECT



东莞市国亚电子有限公司
Dong Guan Guo Ya Connectors co., Ltd.

APPROVAL CHECK DRAWN DATE

Yangzhengguo Yangzhengyi Lvtiansheng 2016/08/26

PARTNO.

1300WRS-1xXX-4TXH10RH00XF

TITLE

1.30 mm Crimp Style Connectors

UNIT	SCALE	SHEET	REV	NUMBER
mm	1:1	1/1	A0	A-000

DATE	REV	ECN NO	DESCRIPTION	MODIFY	APPROVAL
1					
2					
3					
4					