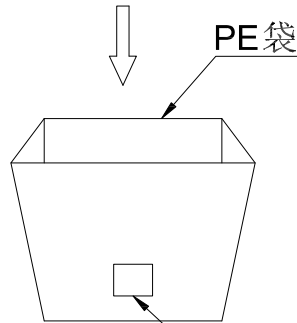
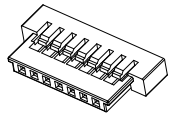


RoHS

包装图

Note注解:

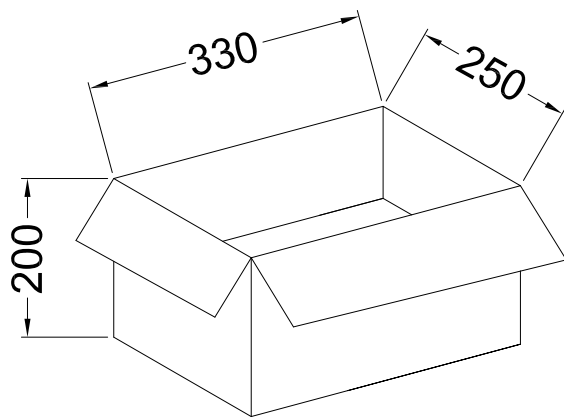
- Put Housing in a PE bag, PE bag gauge for: 130 * 135 * 0.10 mm, Packing detail see the table below
将 Housing放入PE袋内, PE袋规为:130*135*0.10mm,详细包装见下表
- Put PE bag packed products in specifications of 330 * 250 * 300 mm cartons, Packing detail see the table below
将装好产品的PE袋放入规格为330*250*200mm的纸箱内, 详细包装见下表
- Label depends on customer request, carton opening joint with transparent tape
标签依客户要求而定, 纸箱开口处用透明胶带贴合.



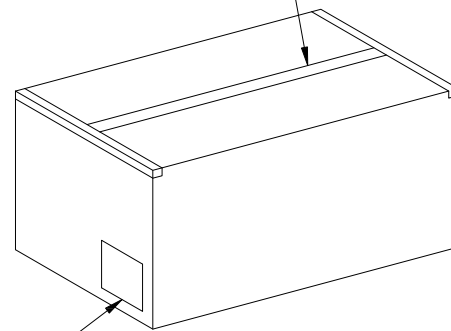
PE袋



Lable 标签



胶带ADHESIVE TAPE



标签LABEL

Poles	Bag PCS	CARTON Bag	CARTON PCS
1*02	1000	75	75K
1*03	1000	75	75K
1*04	1000	75	75K
1*05	1000	75	75K
1*06	1000	75	75K
1*07	1000	75	75K
1*08	1000	75	75K
1*09	1000	75	75K
1*10	1000	75	75K
1*11	1000	75	75K
1*12	1000	75	75K
1*13	1000	75	75K
1*14	1000	75	75K
1*15	1000	75	75K
1*16	1000	75	75K
1*20	1000	75	75K
1*25	1000	75	75K
1*30	1000	75	75K

GENERAL TOLERANCE

.X	±0.30
.XX	±0.20
.XXX	±0.10
X°	±0.2°



东莞市国亚电子有限公司
Dong Guan Guo Ya Connectors co., Ltd.

APPROVAL

CHECK

DRAWN

DATE

Yangzhengguo

Yangzhengyi

Lvtiansheng

2016/08/26

PART NO.: 1251H-1*XX-XX

TITLE: 1.25mm Housing Package

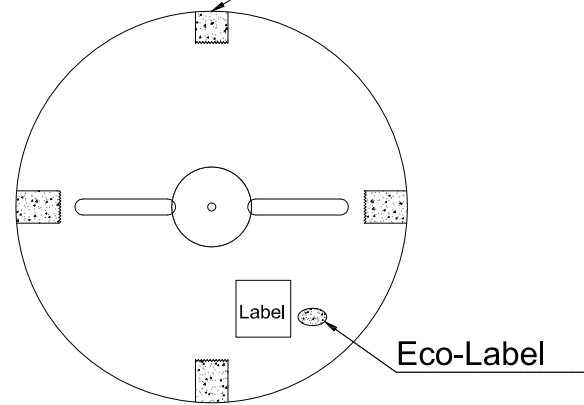
UNIT	SCALE	SHEET	REV	NUMBER
mm	1:1	1/1	A0	A-106

DATE	REV	ECN NO.	DESCRIPTION	MODIFY	APPROVAL
1					
2					
3					
4					

RoHS

包装图

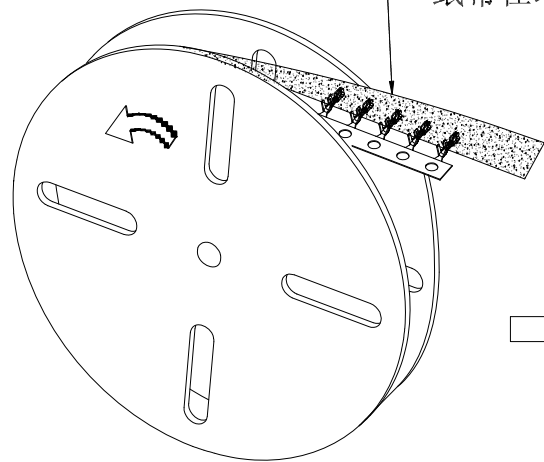
Adhesive tape



Eco-Label

Tape over the terminal

纸带在端子下方



卷装方式
Package way



Note 注解:

1.Quantity 数量:

15K PCS/REEL 一卷15K/PCS

14 REEL/BOX 一箱14卷

210K PCS/BOX 一箱210K/PCS

2.Each reel and outer box must be labeled and Eco-Label Respectively labeled

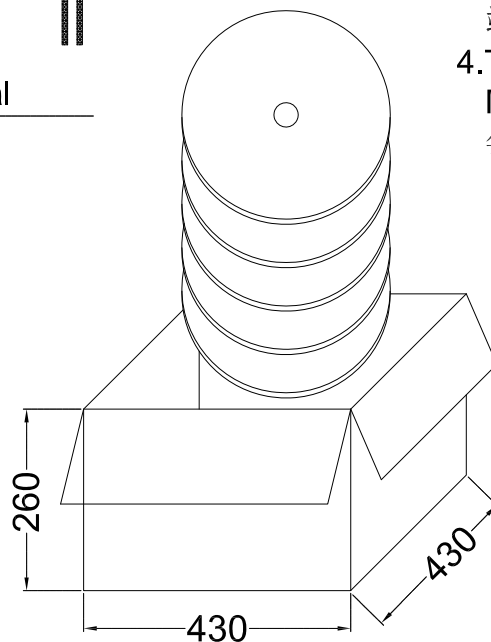
每盘和外箱都必须有标签及环保标签分别标示

3.Terminal winding direction as shown

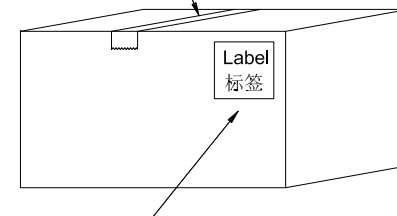
端子缠绕方向如左图所示

4.There shall be no dirt such as deformation phenomenon, Mantissa box fillers must be used

每箱不可有脏污, 变形现象, 尾数箱必须用填充物



Adhesive tape 胶带



Label unified on the box top right corner
外箱标签位于右上角

GENERAL TOLERANCE

.X ±0.30

.XX ±0.20

.XXX ±0.10

X° ±0.2°

视图

第一角画法



东莞市国亚电子有限公司
Dong Guan Guo Ya Connectors co., Ltd.

APPROVAL

CHECK

DRAWN

DATE

Yangzhengguo

Yangzhengyi

Lvtiansheng

2016/08/26

PART NO.: 1255T-PXX

TITLE: 1.25mm Terminal Packing

UNIT	SCALE	SHEET	REV	NUMBER
mm	1:1	1/1	A0	A-014

DATE

1

REV

2

ECN NO.

3

DESCRIPTION

MODIFY

4

APPROVAL

5

APPROVAL

6

CHECK

7

DRAWN

DATE

UNIT

8

TITLE: 1.25mm Terminal Packing

mm

SCALE

1

SHEET

1

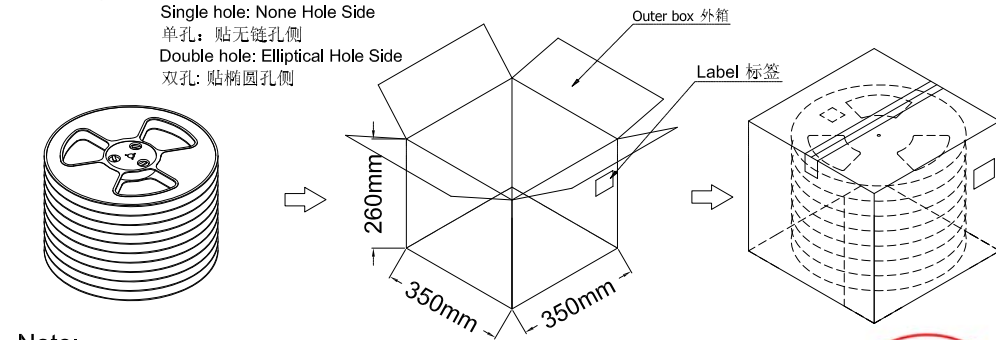
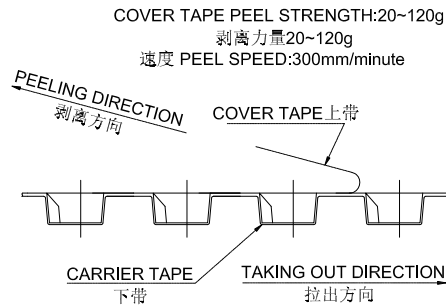
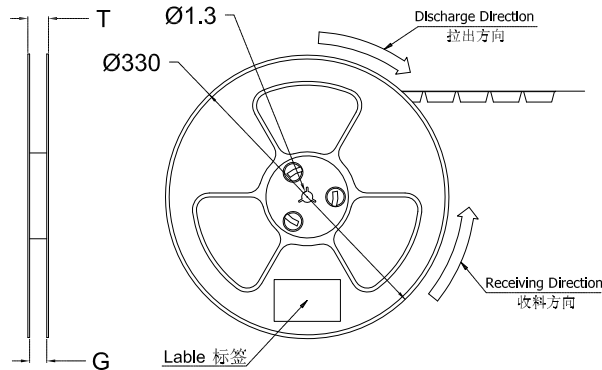
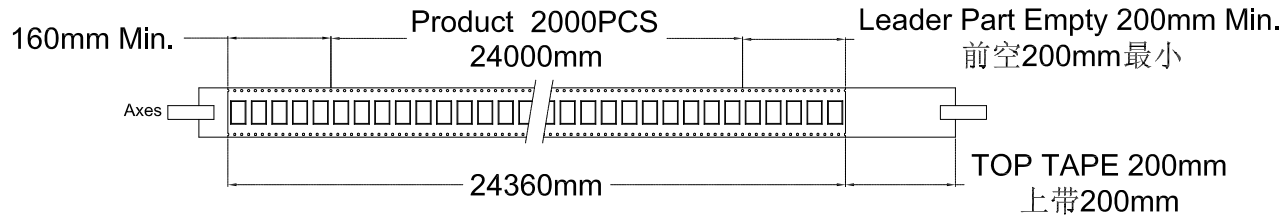
REV

A0

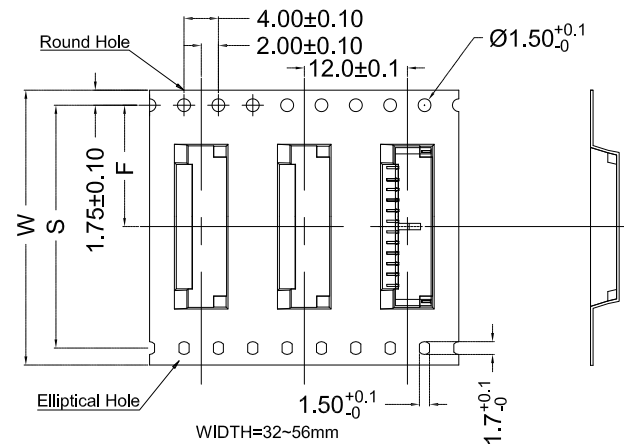
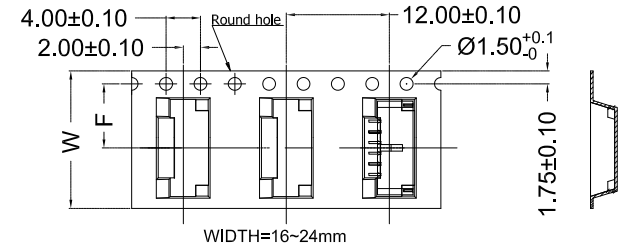
NUMBER

A-014

RoHS 包装图



- Note:**
- Carrier Camber Is Within 1mm In 100mm ; 带长100mm 内容许弯曲度1mm
 - 10 Sprocket Hole Pitch Cumulative Tolerance±0.2MM ; 圆孔十个孔距距离累计允许公差为 ±0.2mm
 - Carrier tape material for PS ; 下带材质为PS材质 ; Color颜色:Natural透明色
 - bracer保护带; Color颜色:Natural透明色, 厚度0.40mm最小
 - Thickness=0.30±0.05 ; 材料厚度为0.30±0.05mm
 - Carton material 纸箱材质:K=K; Carton Thickness 纸箱厚度: 6~7mm



	Pin No.	W	S	F	T	G	REEL PCS	CARTON R	CARTON PCS
ZD1255WRS-1*XX 1255WRS-1*XX-LPSW	ZD1255WRS-1*02HF 02Pin~04Pin	16	/	7.50	20.50	16.40	2000	11R	22000
	ZD1255WRS-1*05HF 05Pin~11Pin	24	/	11.50	28.50	24.40	2000	8R	16000
	ZD1255WRS-1*12HF								
	ZD1255WRS-1*13HF	32	28.40	14.20	36.50	32.40	2000	6R	12000
	ZD1255WRS-1*14HF								
	ZD1255WRS-1*15HF	44	40.40	20.20	48.50	44.40	2000	5R	10000
	ZD1255WRS-1*20HF								
	ZD1255WRS-1*25HF	56	52.40	26.20	60.5	56.40	2000	4R	8000
ZD1255WRS-1*30HF									

GENERAL TOLERANCE

.X	±0.30
.XX	±0.20
.XXX	±0.10
X°	±0.2°



东莞市国亚电子有限公司
Dong Guan Guo Ya Connectors co., Ltd.

APPROVAL CHECK DRAWN DATE

Yangzhengguo Yangzhengyi Lviliansheng 2016/08/26

PART NO.: PPN:1255WRS-1*XX-LPXX
CTN: ZD1255WRS-1*XXHF

TITLE: 1.25mm SMT 90° Packing

UNIT	SCALE	SHEET	REV	NUMBER
mm	1:1	1/1	A0	A-106

DATE	REV	ECN NO.	DESCRIPTION	MODIFY	APPROVAL
1					
2					
3					
4					