

RoHS

■ Specifications :

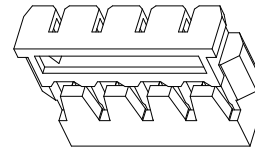
- Voltage rating: 50V AC / DC
- Current rating: 2A AC / DC
- Withstanding voltage: 500V AC/minute
- Temperature range: -40° ~+105°
- Insulation resistance: ≥100MΩ
- Contact resistance: ≤20mΩ
- After environmental testing: ≤40mΩ
- Mates With GYA Housing : 1224T / 1224W

1224 H X- XX XX-LP XX

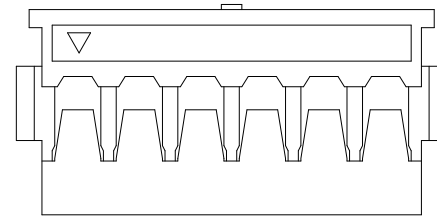
① ②③ ④ ⑤ ⑥ ⑦

- ① Series No.
- ② Category: H-HSG
- ③ Connector type: Blank-ordinary
- ④ Row No.-Pin No per row: XX-02~10P
- ⑤ Special No.
- ⑥ Material: LP-LCP 94V-0
- ⑦ Color: Blank-Natural Color Black

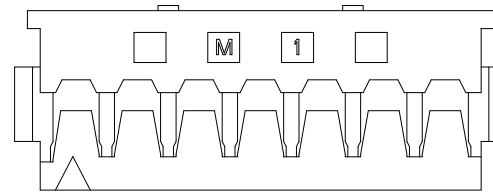
Poles	Dimensions(mm)		
	A	B	C
2	1.20	2.60	3.10
3	2.40	3.80	4.30
4	3.60	5.00	5.50
5	4.80	6.20	6.70
6	6.00	7.40	7.90
7	7.20	8.60	9.10
8	8.40	9.80	10.30
9	9.60	11.00	11.50
10	10.80	12.20	12.70



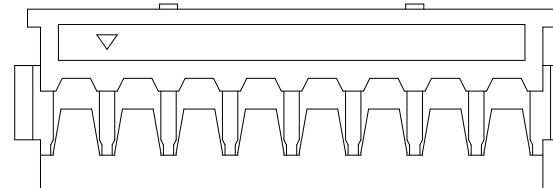
3D View



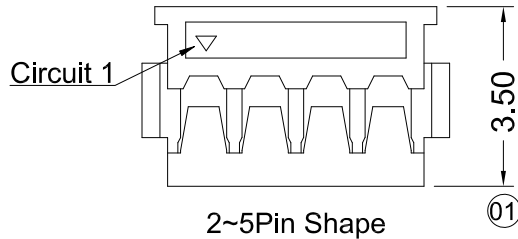
6Pin Shape



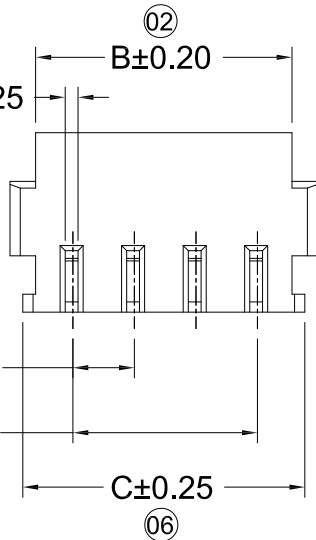
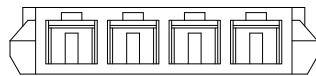
7Pin Shape



8~10Pin Shape



2~5Pin Shape



⑦ 1.30



GENERAL TOLERANCE

.X ±0.35

.XX ±0.25

.XXX ±0.15

X.° ±2°

PROJECT

⊕ ⊖



东莞市国亚电子有限公司
Dong Guan Guo Ya Connectors co., Ltd.

APPROVAL

Yangzhengguo

CHECK

Yangzhengyi

DRAWN

Lvtiansheng

DATE

2016/08/26

PART NO.

1224H-XX-LP

TITLE 1.20 mm Crimp Style Connectors

UNIT	SCALE	SHEET	REV	NUMBER
mm	1:1	1/1	A0	A-022

DATE	REV	ECN NO.	DESCRIPTION	MODIFY	APPROVAL
1					
2					

RoHS



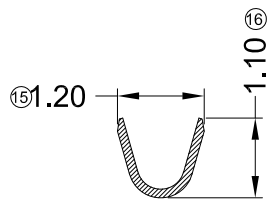
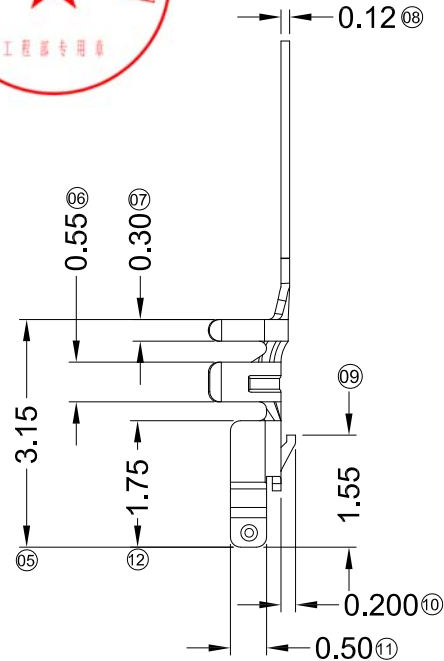
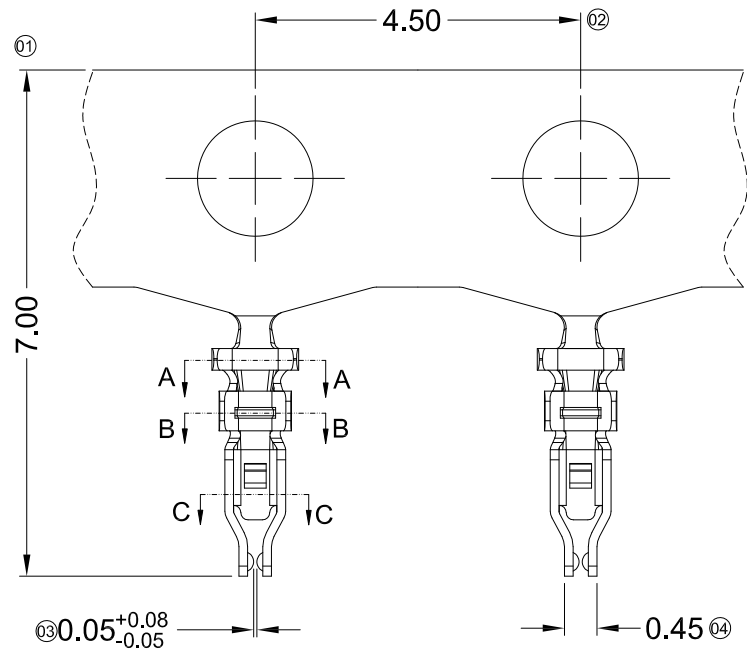
■ Specifications :

- Voltage rating: 50V AC / DC
- Current rating: 2A AC / DC
- Withstanding voltage: 500V AC/minute
- Temperature range: -40° ~+105°
- Insulation resistance: ≥100MΩ
- Contact resistance: ≤20mΩ
- After environmental testing: ≤40mΩ
- Material(Pin): Phosphor bronze
- Mates With GYA Housing : 1224H
- Wire Range: AWG#28-30
- Insulation O.D. : 0.70mm (Max.)

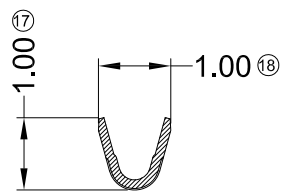
1224 T X - P V01 X

- ① ② ③ ④ ⑤ ⑥

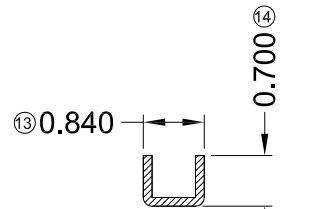
- ① Series Number
- ② Category: T-terminal
- ③ Shape: Blank-ordinary
- ④ Material: P-Phosphor bronze
- ⑤ Plating style: V01- All Gold Flash
- ⑥ Plating code:
Blank-Stamping before plating



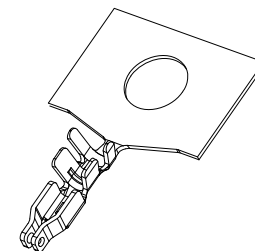
SECTION A-A
SCALE 1:1



SECTION B-B
SCALE 1:1



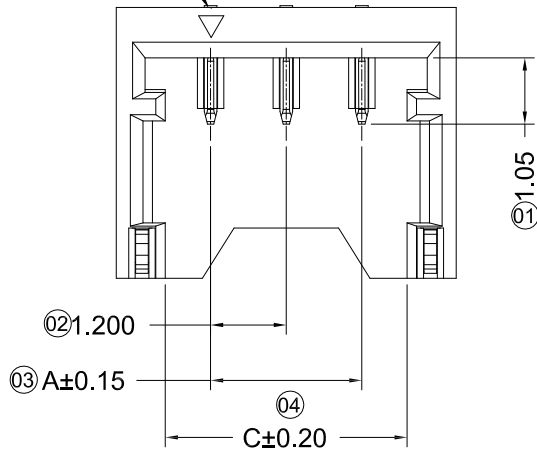
SECTION C-C
SCALE 1:1



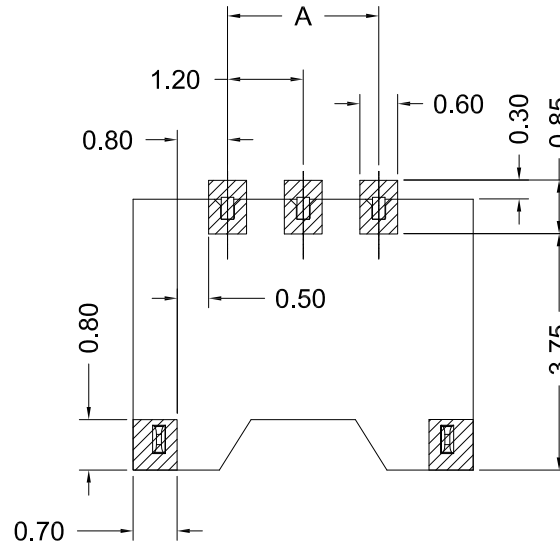
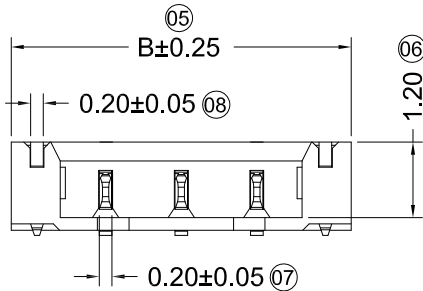
				GENERAL TOLERANCE .X ±0.30 .XX ±0.20 .XXX ±0.10 X.° ±2°		GYA 东莞市国亚电子有限公司 Connectors Dong Guan Guo Ya Connectors co., Ltd.				PART NO. 1224T-PV01				
				PROJECT		APPROVAL	CHECK	DRAWN	DATE	TITLE 1.20mm Crimp Style Connectors				
DATE	REV	ECN NO.	DESCRIPTION	MODIFY	APPROVAL	Yangzhengguo	Yangzhengyi	Lvtiansheng	2016/08/26	UNIT	SCALE	SHEET	REV	NUMBER
1										mm	1:1	1/1	A0	A-014

RoHS

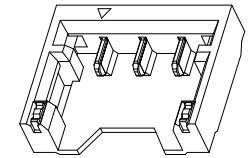
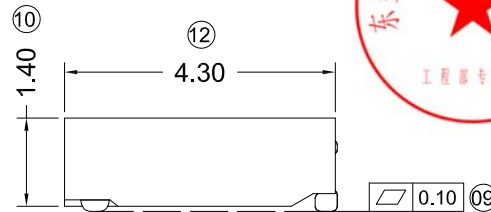
Circuit 1



2-3 Pin
Without Sticking Point



RECOMMENDED PCB LAYOUT
GENERAL TOLERANCE ±0.05



3D View

Specifications :

- Voltage rating: 50V AC / DC
- Current rating: 2A AC / DC
- Withstanding voltage: 500V AC/minute
- Temperature range: -40° ~+105°
- Insulation resistance: ≥100MΩ
- Contact resistance: ≤20mΩ
- After environmental testing: ≤40mΩ
- Material(Solder Tabs):Phosphor Bronze
- Finish(Solder Tabs):Matte Tin Plating
- Mates With GYA Housing : 1224H

1224 W R S-XX X- XX V01 XX -X
① ② ③ ④ ⑤ ⑥ ⑦ ⑧ ⑨ ⑩

- ① Series No.
- ② Category: W-wafer
- ③ Connector type: R-Right Angle 90°
- ④ Mounting type: S-SMT
- ⑤ Row No.-Pin No per row: XX-02P~03P
- ⑥ Special No:
- ⑦ Material: LP-LCP 94V-0 ; 4T-PA4T
- ⑧ Planting Code: V01: All Gold Flash
V03: All Gold 3μ"
- ⑨ Color: Blank- Black Color
- ⑩ Pin Material: Blank-Phosphor Bronze
H-High conductivity copper

Poles	Dimensions(mm)			Poles	Dimensions(mm)		
	A	B	C		A	B	C
02	1.20	4.20	2.64	03	2.40	5.40	3.84

GENERAL TOLERANCE

- .X ±0.30
- .XX ±0.20
- .XXX ±0.10
- X.° ±2°



东莞市国亚电子有限公司
Dong Guan Guo Ya Connectors co., Ltd.

APPROVAL CHECK DRAWN DATE

PROJECT: Yangzhengguo Yangzhengyi Lviliansheng 2016/08/26

PART NO.

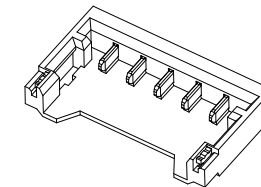
1224WRS-XX-XXVXXX-X

TITLE 1.20mm Crimp Style Connectors

UNIT	SCALE	SHEET	REV	NUMBER
mm	1:1	1/1	A0	A-000

DATE	REV	ECN NO.	DESCRIPTION	MODIFY	APPROVAL
1					
2					

RoHS



3D View

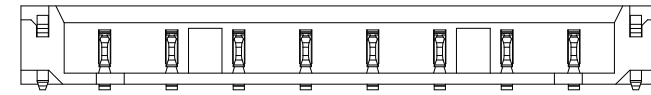
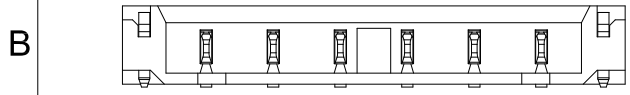
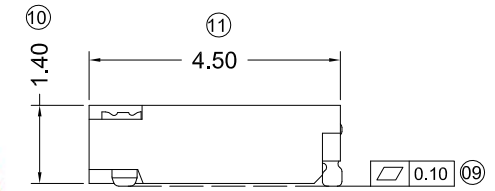
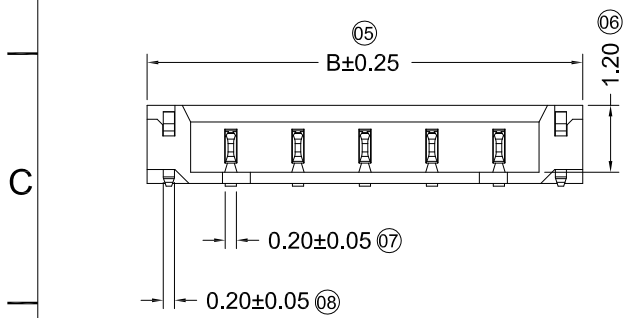
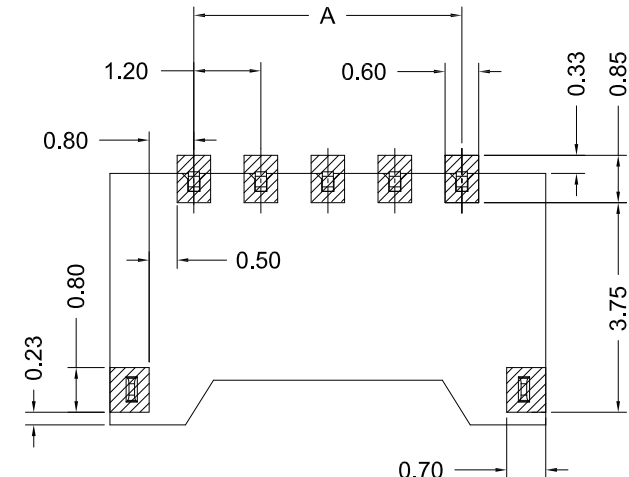
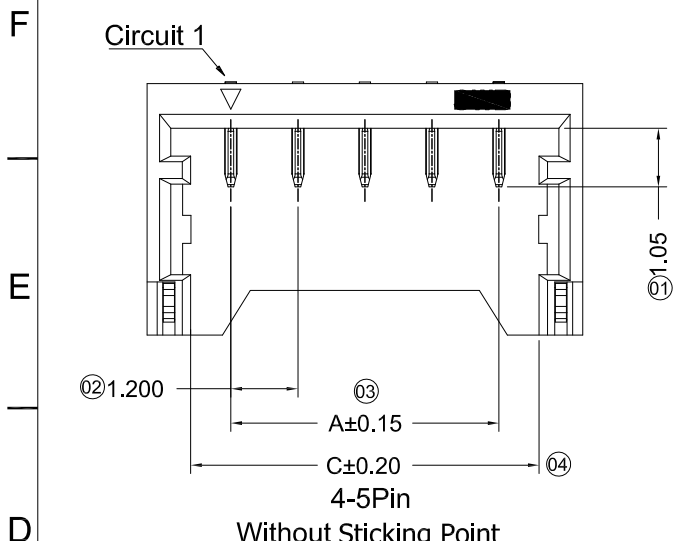
Specifications :

- Voltage rating: 50V AC / DC
- Current rating: 2A AC / DC
- Withstanding voltage: 500V AC/minute
- Temperature range: 40° ~+105°
- Insulation resistance: ≥100MΩ
- Contact resistance: ≤20mΩ
- After environmental testing: ≤40mΩ
- Material(Solder Tabs): Phosphor Bronze
- Finish(Solder Tabs): Matte Tin Plating
- Mates With GYA Housing : 1224H

1224 W R S - XX L - XX V01 XX - X
 ① ② ③ ④ ⑤ ⑥ ⑦ ⑧ ⑨ ⑩

- ① Series No.
- ② Category: W-wafer
- ③ Connector type: R-Right Angle 90°
- ④ Mouting type: S-SMT
- ⑤ Row No.-Pin No per row: XX-04P~10P
- ⑥ Special No.: L-36 Edition
- ⑦ Material: 4T-PA4T 94V-0; LP-LCP 94V-0
- ⑧ Planting Code: V01: All Gold Flash
V03: All Gold 3μ"
- ⑨ Color: Blank-Black Color
- ⑩ Pin Material :Blank-Phosphor Bronze
H-High conductivity copper

Poles	Dimensions(mm)			Poles	Dimensions(mm)		
	A	B	C		A	B	C
04	3.60	6.60	5.04	08	8.40	11.40	9.84
05	4.80	7.80	6.24	09	9.60	12.60	11.04
06	6.00	9.00	7.44	10	10.80	13.80	12.24
07	7.20	10.20	8.64				



DATE	REV	ECN NO.	DESCRIPTION	MODIFY	APPROVAL

GENERAL TOLERANCE		东莞市国亚电子有限公司 Dong Guan Guo Ya Connectors co., Ltd.	APPROVAL	CHECK	DRAWN	DATE
.X	±0.30					
.XX	±0.20					
.XXX	±0.10					
X.°	±2°	PROJECT	Yangzhengguo	Yangzhengyi	Lvtiansheng	2016/08/26

PART NO.		1224WRS-XXL-XXV01XX-X	
TITLE 1.20mm Crimp Style Connectors			
UNIT	SCALE	SHEET	REV
mm	1:1	1/1	A0
NUMBER		A-000	