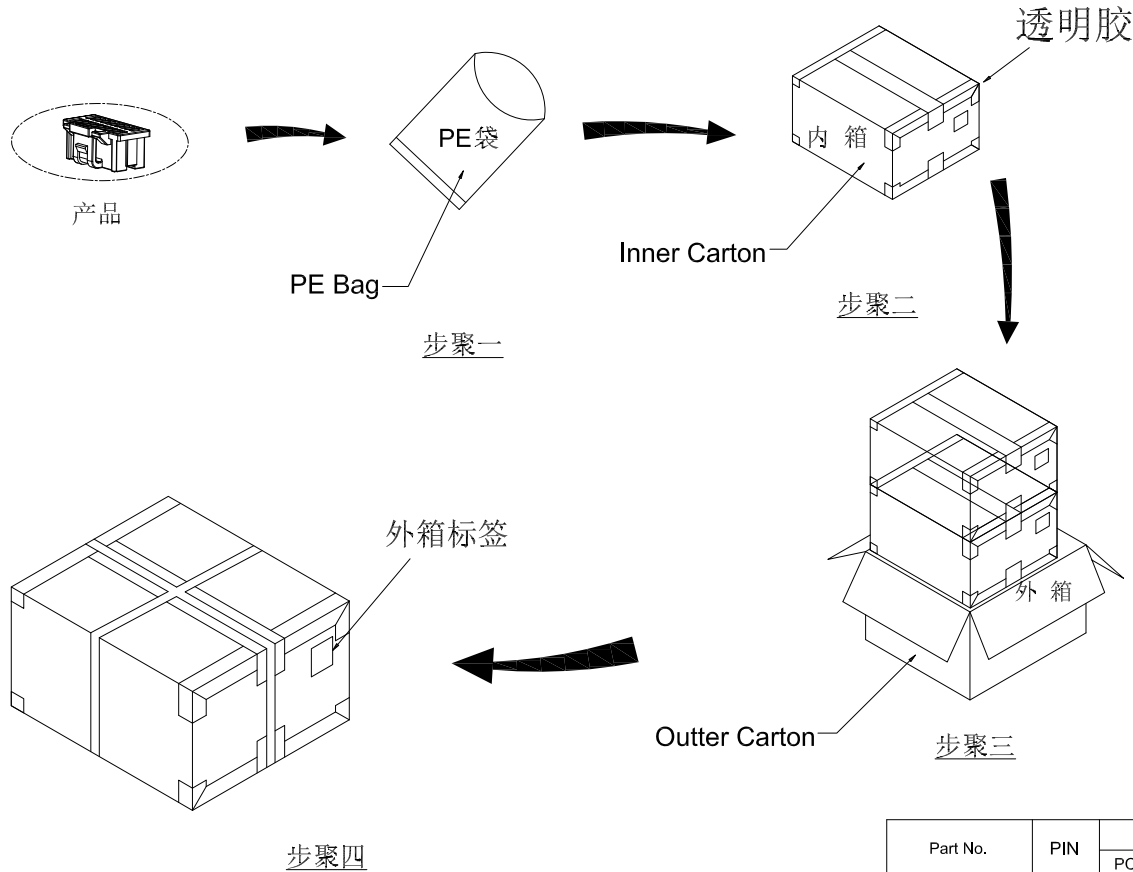


RoHS

包装图



包装说明:

- 步骤1: 将检验好之产品依包装数量装入PE袋中, 并放入一包干燥剂, 并将PE袋封好. 贴上标签.
  - 步骤2: 将装好产品的PE袋依包装数量, 装入内箱并用透明胶四周封好. 贴上标签.
  - 步骤3: 将装好产品的内箱套入外箱. (一大箱装二小箱)
  - 步骤4: 用透明胶把外箱封好并在外箱上贴上标签. 再用包扎带包扎好.
- 注: 尾数可用填充物填充.



| Part No.        | PIN  | PE Bag |            | Inner Carton         |            | Outer Carton                  |              | Total                       |
|-----------------|------|--------|------------|----------------------|------------|-------------------------------|--------------|-----------------------------|
|                 |      | PCS/PE | SIZE (CM)  | BAG/<br>Inner Carton | SIZE (CM)  | Inner Carton/<br>Outer Carton | SIZE (CM)    | 2 Inner Carton/Outer Carton |
| 1004H-2*10-N0HF | 2*10 | 1000   | 30*25*0.08 | 15                   | 34*34*15.5 | 2                             | 35.5*35.5*34 | 30,000                      |
| 1004H-2*12-N0HF | 2*12 | 1000   |            | 13                   |            |                               |              | 26,000                      |
| 1004H-2*15-N0HF | 2*15 | 1000   |            | 12                   |            |                               |              | 24,000                      |
| 1004H-2*20-N0HF | 2*20 | 1000   |            | 10                   |            |                               |              | 20,000                      |
| 1004H-2*25-N0HF | 2*25 | 1000   |            | 8                    |            |                               |              | 16,000                      |

GENERAL TOLERANCE

- .X ±0.35
- .XX ±0.25
- .XXX ±0.15
- X° ±0.2°



东莞市国亚电子有限公司  
Dong Guan Guo Ya Connectors co., Ltd.

PARTNO.

1004H-2\*XX-N0HF

TITLE

1.00mm Housing Packing

APPROVAL

CHECK

DRAWN

DATE

Yangzhengguo

Yangzhengyi

Lvtiansheng

2016/08/26

UNIT

SCALE

SHEET

REV

NUMBER

MM

1 : 1

1/1

A0

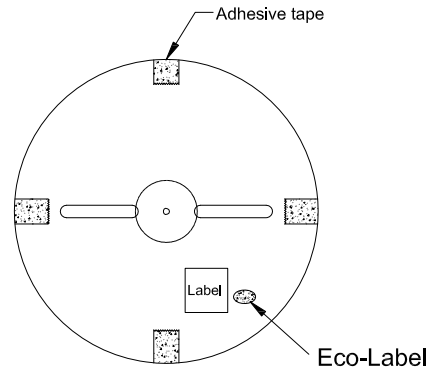
A-000

| DATE | REV | ECN NO | DESCRIPTION | MODIFY | APPROVAL |
|------|-----|--------|-------------|--------|----------|
|      |     |        |             |        |          |



RoHS

包装图



Note 注解:

1.Quantity 数量:

△ 15K PCS/REEL 一卷15K/PCS  
10REEL/BOX 一箱10卷

△ 150K PCS/BOX 一箱150K/PCS

2.Each reel and outer box must be labeled and Eco-Label Respectively labeled

每盘和外箱都必须有标签及环保标签分别标示

3.Terminal winding direction as shown

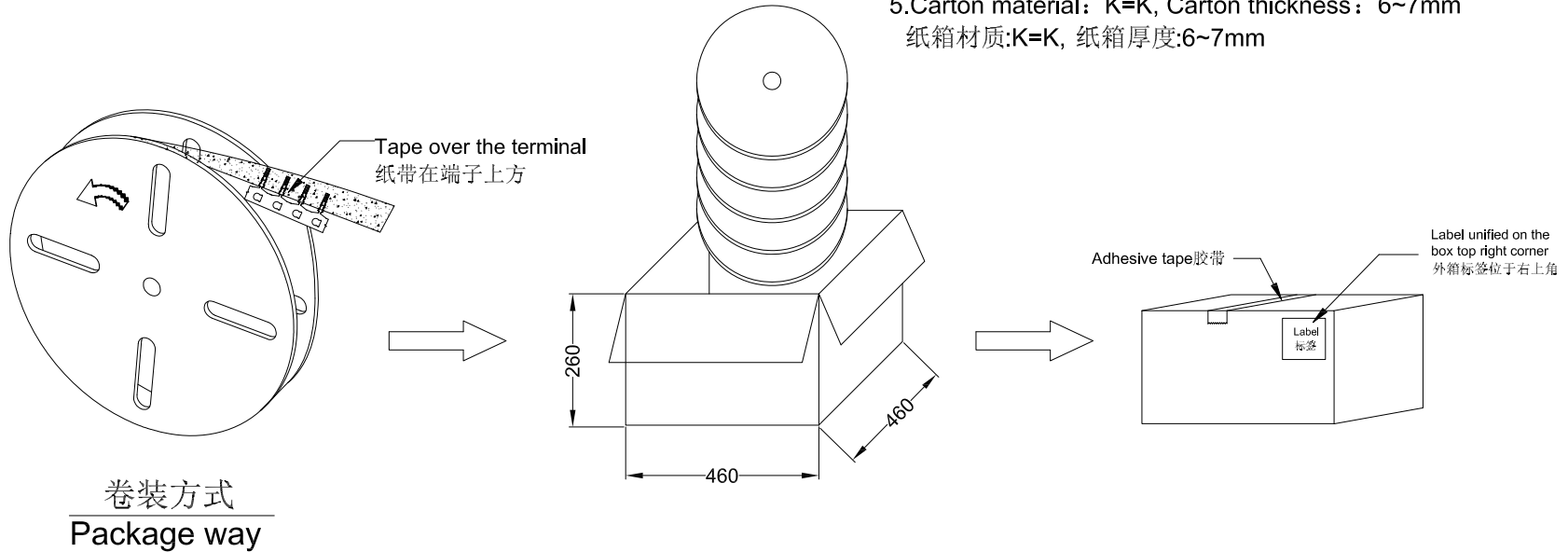
端子缠绕方向如左图所示

4.There shall be no dirt such as deformation phenomenon, Mantissa box fillers must be used

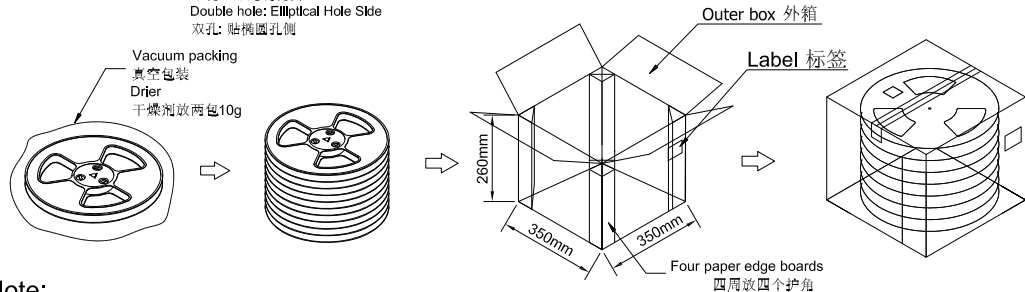
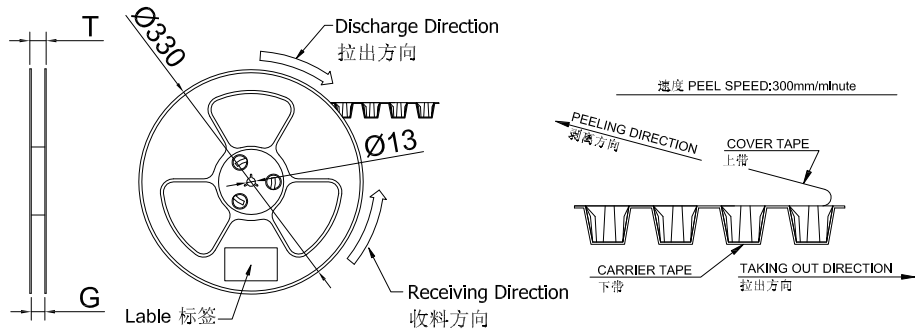
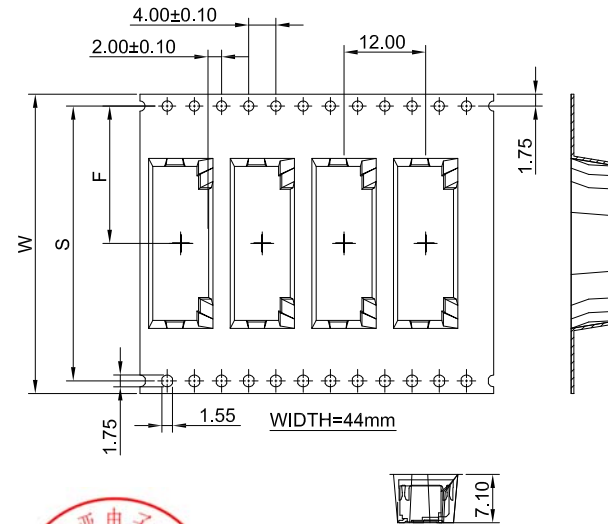
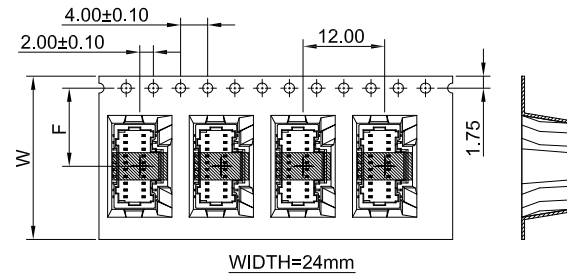
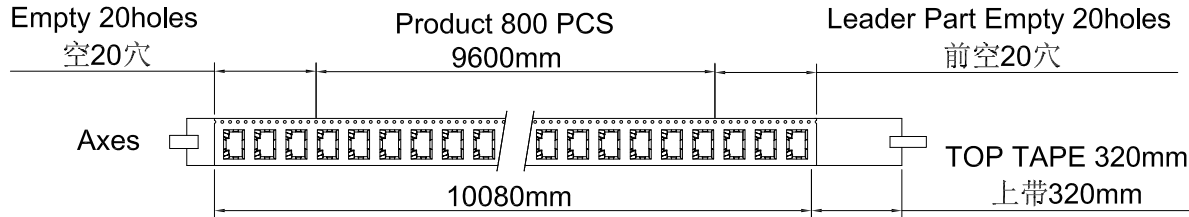
每箱不可有脏污, 变形现象, 尾数箱必须用填充物

5.Carton material: K=K, Carton thickness: 6~7mm

纸箱材质:K=K, 纸箱厚度:6~7mm



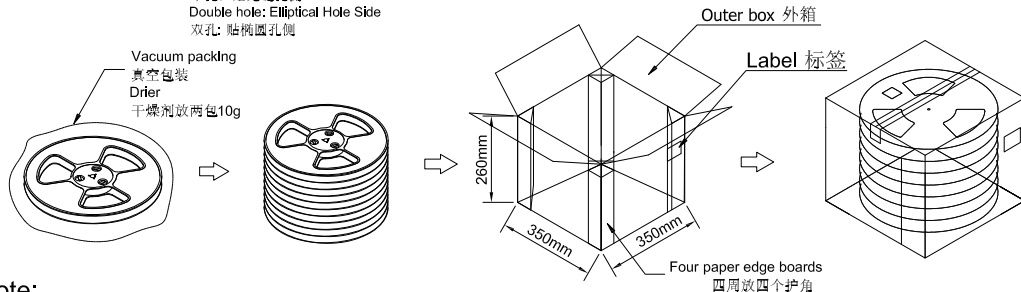
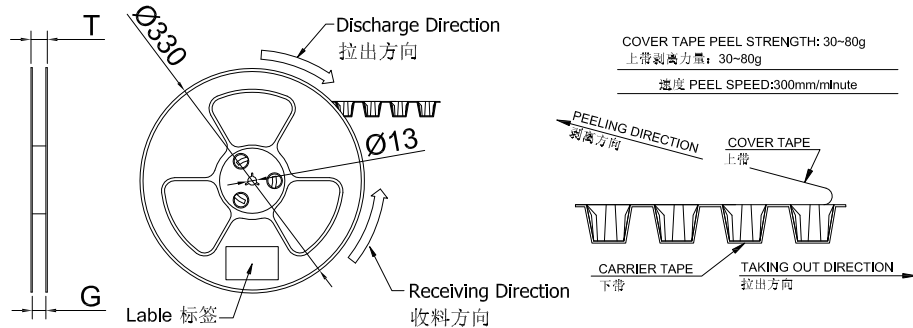
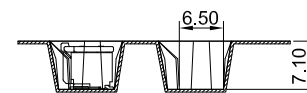
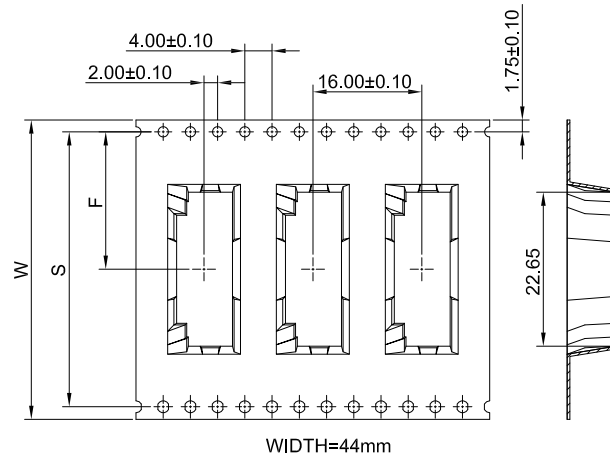
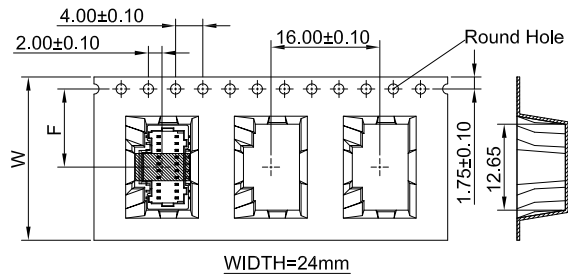
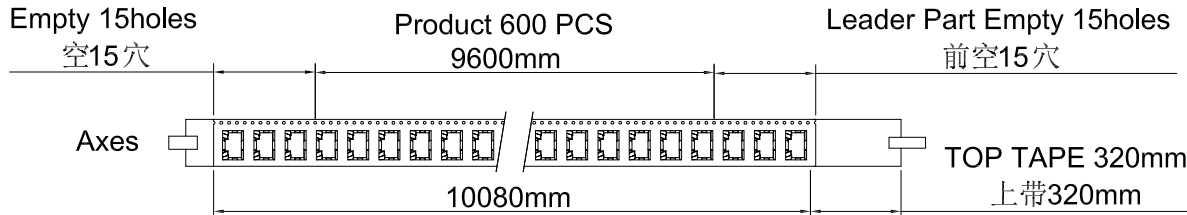
|      |  |  |  |  |   |  |  |  |  |        |  |  |                                  |  |             |  |                    |  |  |        |  |  |  |  |          |  |  |  |  |   |  |  |  |  |   |  |  |  |  |
|------|--|--|--|--|---|--|--|--|--|--------|--|--|----------------------------------|--|-------------|--|--------------------|--|--|--------|--|--|--|--|----------|--|--|--|--|---|--|--|--|--|---|--|--|--|--|
|      |  |  |  |  | <b>GENERAL TOLERANCE</b><br>.X ±0.35<br>.XX ±0.25<br>.XXX ±0.15<br>X° ±0.2°<br>视图<br> |  |  |  | <b>GYA</b> 东莞市国亚电子有限公司<br>Connectors Dong Guan Guo Ya Connectors co., Ltd. |        |  |  | PARTNO.<br>1004T-PXXX-X          |  |             |  |                    |  |  |        |  |  |  |  |          |  |  |  |  |   |  |  |  |  |   |  |  |  |  |
|      |  |  |  |  | APPROVAL<br>Yangzhengguo  |  |  |  | CHECK<br>Yangzhengyi   |        |  |  | DRAWN<br>Lviansheng              |  |             |  | DATE<br>2016/08/26 |  |  |        |  |  |  |  |          |  |  |  |  |   |  |  |  |  |   |  |  |  |  |
|      |  |  |  |  |   |  |  |  |  |        |  |  | TITLE<br>1.00mm Terminal Packing |  |             |  |                    |  |  |        |  |  |  |  |          |  |  |  |  |   |  |  |  |  |   |  |  |  |  |
| DATE |  |  |  |  | REV   |  |  |  |  | ECN NO |  |  |                                  |  | DESCRIPTION |  |                    |  |  | MODIFY |  |  |  |  | APPROVAL |  |  |  |  |   |  |  |  |  |   |  |  |  |  |
| 1    |  |  |  |  | 2   |  |  |  |  | 3      |  |  |                                  |  | 4           |  |                    |  |  | 5      |  |  |  |  | 6        |  |  |  |  | 7 |  |  |  |  | 8 |  |  |  |  |
| MM   |  |  |  |  | 1 : 1   |  |  |  |  | 1/1    |  |  |                                  |  | A0          |  |                    |  |  | A-000  |  |  |  |  |          |  |  |  |  |   |  |  |  |  |   |  |  |  |  |



- Note:**
- Carrier Camber Is Within 1mm In 100mm ; 带长100mm内容许弯曲度1mm
  - 10 Sprocket Hole Pitch Cumulative Tolerance±0.2MM ; 圆孔十个孔距离累计允许公差为±0.2mm
  - Material for PS ; 材质为PS材质; Color 颜色:透明色
  - bracer保护带: Color 颜色:Nature 透明;厚度0.40mm最小
  - Thickness=0.40±0.05 ; 材料厚度为0.40±0.05mm
  - Cover Tape上带: 冷封
  - Carton material 纸箱材质:K=K; Carton Thickness 纸箱厚度: 6~7mm

|  | Pin No.           | W  | S    | F     | T    | G    | REEL /PCS | CARTON /R | CARTON /PCS |
|--|-------------------|----|------|-------|------|------|-----------|-----------|-------------|
| ZD1004WVS-2*XXAHF<br>1004WVS-2*XXA-4TVXXXX | ZD1004WVS-2*10AHF | 24 | /    | 11.50 | 29.5 | 25.4 | 800       | 8         | 6400        |
|  | ZD1004WVS-2*12AHF | 32 | 28.4 | 14.20 | 36.5 | 32.4 | 800       | 6         | 4800        |
|  | ZD1004WVS-2*15AHF |    |      |       |      |      |           |           |             |
|  | ZD1004WVS-2*20AHF | 44 | 40.4 | 20.20 | 47.0 | 45.5 | 800       | 5         | 4000        |
|  | ZD1004WVS-2*25AHF |    |      |       |      |      |           |           |             |

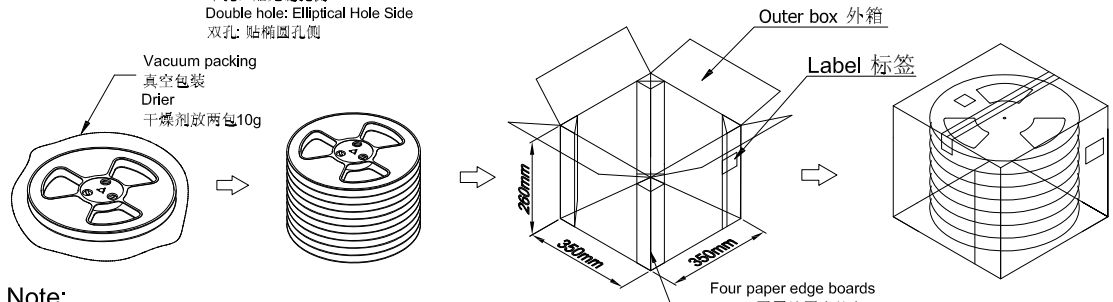
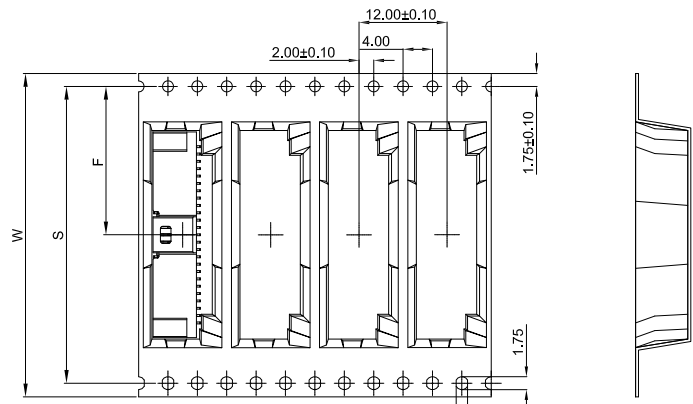
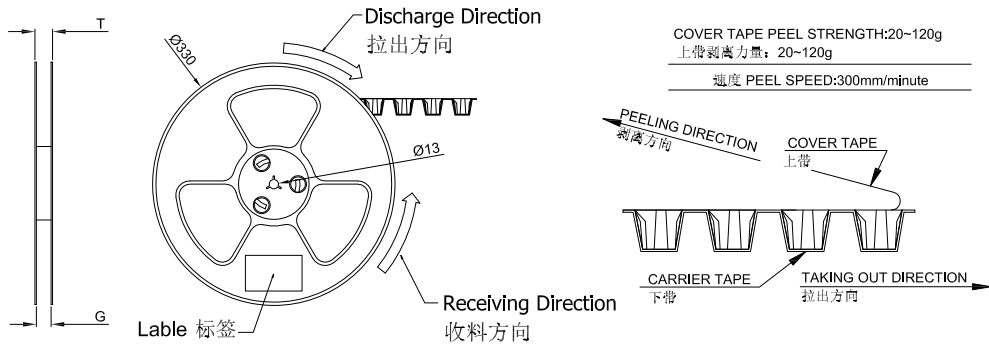
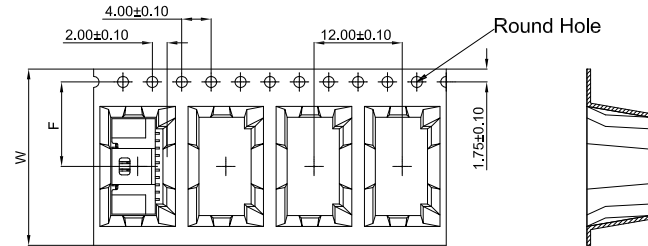
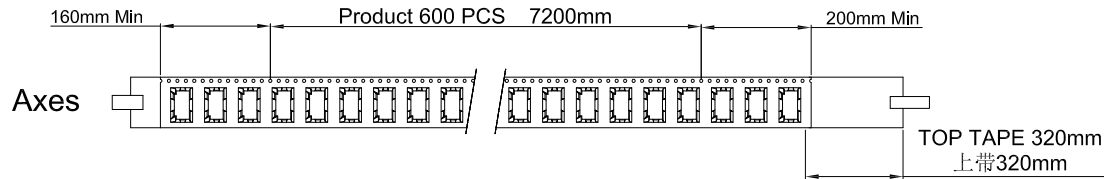
|      |     |        |             |        |          | GENERAL TOLERANCE |       |       |     | PARTNO. PPN: 1004WVS-2*XXA-4TVXXXX<br>CPN: ZD1004WVS-2*XXAHF   |    |       |     |    |       |
|------|-----|--------|-------------|--------|----------|-------------------|-------|-------|-----|--|----|-------|-----|----|-------|
|      |     |        |             |        |          | .X                | ±0.35 |       |     | <b>GYA</b> 东莞市国亚电子有限公司<br>Dong Guan Guo Ya Connectors co., ltd.<br>APPROVAL CHECK DRAWN DATE<br>Yangzhengguo Yangzhengyi Lviansheng 2016/08/26 |    |       |     |    |       |
|      |     |        |             |        |          | .XX               | ±0.25 |       |     |  |    |       |     |    |       |
|      |     |        |             |        |          | .XXX              | ±0.15 |       |     |  |    |       |     |    |       |
|      |     |        |             |        |          | X°                | ±0.2° |       |     |  |    |       |     |    |       |
| DATE | REV | ECN NO | DESCRIPTION | MODIFY | APPROVAL | 视图<br>            |       |       |     | TITLE<br>1.00mm Connectors 180° Package  |    |       |     |    |       |
|      |     |        |             |        |          | UNIT              | SCALE | SHEET | REV | NUMBER   | MM | 1 : 1 | 1/1 | A0 | A-000 |



- Note:**
- Carrier Camber Is Within 1mm In 100mm ; 带长100mm 内容许弯曲度1mm
  - 10 Sprocket Hole Pitch Cumulative Tolerance±0.2MM ; 圆孔十个孔距离累计允许公差为±0.2mm
  - Materiaal for PS ; 材质为PS材质; Color 颜色: 透明色
  - bracer保护带: Color 颜色:Nature 透明; 厚度0.40mm 最小
  - Thinkess=0.40±0.05 ; 材料厚度为0.40±0.05mm
  - Cover Tape上带: 冷封
  - Carton material 纸箱材质:K=K; Carton Thickness 纸箱厚度: 6~7mm

|  | Pln No.          | W  | S    | F     | T    | G    | B0    | REEL /PCS | CARTON /R | CARTON /PCS |
|--|------------------|----|------|-------|------|------|-------|-----------|-----------|-------------|
| ZD1004WVS-2*XXHF<br>1004WVS-2*XX-4TVXXXX | ZD1004WVS-2*10HF | 24 | /    | 11.50 | 29.5 | 25.4 | 12.65 | 600       | 8         | 4800        |
|  | ZD1004WVS-2*12HF | 32 | 28.4 | 14.20 | 36.5 | 32.4 | 14.65 | 600       | 6         | 3600        |
|  | ZD1004WVS-2*15HF |    |      |       |      |      | 17.65 |           |           |             |
|  | ZD1004WVS-2*20HF | 44 | 40.4 | 20.20 | 47.0 | 45.5 | 22.65 | 600       | 5         | 3000        |
|  | ZD1004WVS-2*25HF |    |      |       |      |      | 27.65 |           |           |             |

|      |     |        |             |        | GENERAL TOLERANCE |       | PARTNO. PPN: 1004WVS-2*XX-4TVXXXX<br>CTN: ZD1004WVS-2*XXHF   |      |       |       |   |        |
|------|-----|--------|-------------|--------|-------------------|-------|--|------|-------|-------|---|--------|
|      |     |        |             |        | .X                | ±0.35 | <b>GYA</b> 东莞市国亚电子有限公司<br>Dong Guan Guo Ya Connectors co., Ltd.<br>APPROVAL CHECK DRAWN DATE<br>Yangzhengguo Yangzhengyi Lviansheng 2016/08/26 |      |       |       |   |        |
|      |     |        |             |        | .XX               | ±0.25 |  |      |       |       |   |        |
|      |     |        |             |        | .XXX              | ±0.15 |  |      |       |       |   |        |
|      |     |        |             |        | X°                | ±0.2° |  |      |       |       |   |        |
| DATE | REV | ECN NO | DESCRIPTION | MODIFY | APPROVAL          |       |  | UNIT | SCALE | SHEET | REV                                     | NUMBER |
|      |     |        |             |        |                   | MM    | 1:1  | 1/1  | A0    | A-000 | TITLE<br>1.00mm Connectors 180° Package |        |



- Note:**
- Carrier Camber Is Within 1mm In 100mm ; 带长100mm 内容许弯曲度1mm
  - 10 Sprocket Hole Pitch Cumulative Tolerance±0.2MM ; 圆孔十个孔距离累计允许公差为±0.2mm
  - Material for PS ; 材质为PS材质; Color 颜色:透明色
  - bracer保护带: Color 颜色:Nature 透明; 厚度0.40mm 最小
  - Thickness=0.50±0.05 ; 材料厚度为0.50±0.05mm
  - Cover Tape上带: 冷封
  - Carton material 纸箱材质:K=K; Carton Thickness 纸箱厚度: 6~7mm

| Pin No.           | W  | S    | F     | T    | G    | REEL /PCS | CARTON /R | CARTON /PCS |
|-------------------|----|------|-------|------|------|-----------|-----------|-------------|
| ZD1004WRS-2*10AHF | 24 | /    | 11.50 | 29.5 | 24.4 | 600       | 8         | 4800        |
| ZD1004WRS-2*12AHF | 32 | 28.4 | 14.2  | 37.5 | 32.4 | 600       | 6         | 3600        |
| ZD1004WRS-2*15AHF |    |      |       |      |      |           |           |             |
| ZD1004WRS-2*20AHF | 44 | 40.4 | 20.20 | 49.5 | 44.4 | 600       | 5         | 3000        |
| ZD1004WRS-2*25AHF |    |      |       |      |      |           |           |             |

| GENERAL TOLERANCE |       |
|-------------------|-------|
| .X                | ±0.35 |
| .XX               | ±0.25 |
| .XXX              | ±0.15 |
| X°                | ±0.2° |

**GYA** 东莞市国亚电子有限公司  
Connectors Dong Guan Guo Ya Connectors co., Ltd.

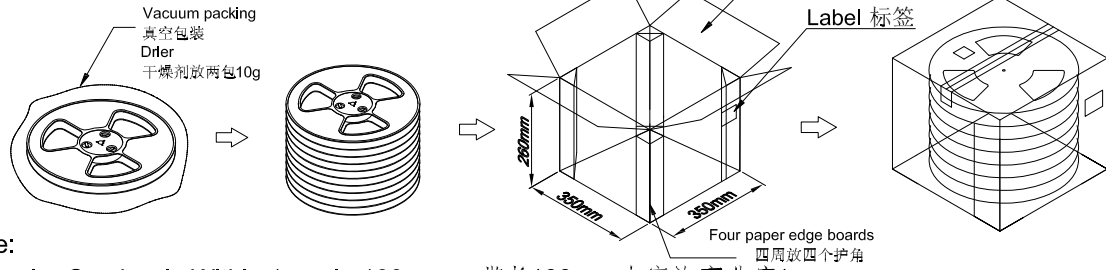
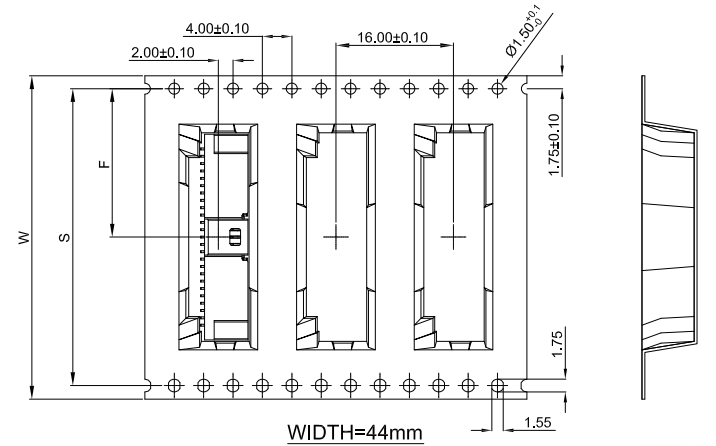
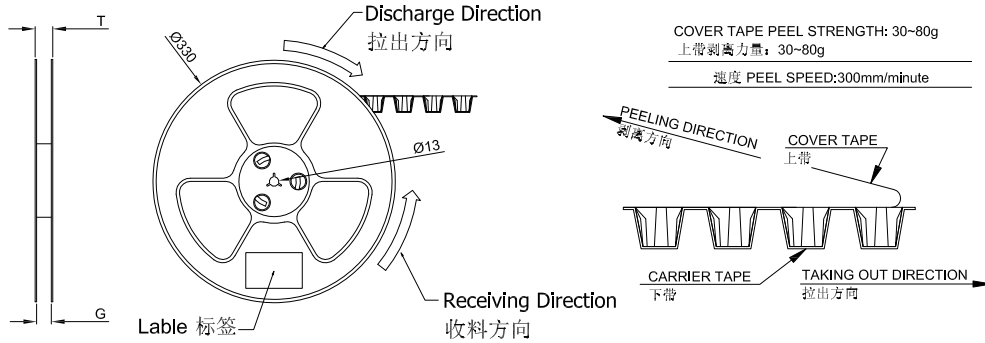
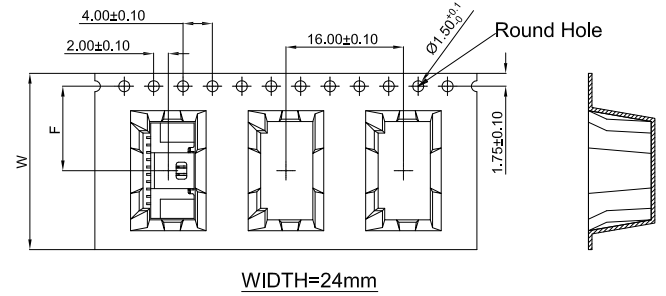
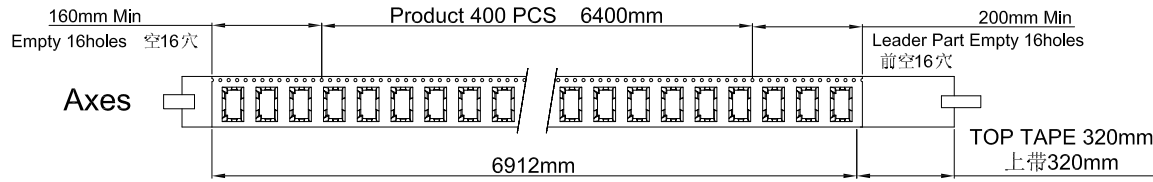
| APPROVAL     | CHECK       | DRAWN       | DATE       |
|--------------|-------------|-------------|------------|
| Yangzhengguo | Yangzhengyi | Lvtiansheng | 2016/08/26 |

**PART NO.** PPN: 1004WRS-2\*XXA-4TVXXXX  
CPN: ZD1004WRS-2\*XXAHF

**TITLE** 1.00mm Connectors 90° Packing

| DATE | REV | ECN NO | DESCRIPTION | MODIFY | APPROVAL |
|------|-----|--------|-------------|--------|----------|
|      |     |        |             |        |          |

| UNIT | SCALE | SHEET | REV | NUMBER |
|------|-------|-------|-----|--------|
| MM   | 1:1   | 1/1   | A0  | A-000  |



- Note:**
- Carrier Camber Is Within 1mm In 100mm ; 带长100mm 内容许弯曲度1mm
  - 10 Sprocket Hole Pitch Cumulative Tolerance±0.2MM ; 圆孔十个孔距离累计允许公差为±0.2mm
  - Material for PS ; 材质为PS材质; Color 颜色:透明色
  - bracer保护带: Color 颜色:Nature 透明; 厚度0.40mm 最小
  - Thickness=0.50±0.05 ; 材料厚度为0.50±0.05mm
  - Cover Tape上带: 冷封
  - Carton material 纸箱材质:K=K; Carton Thickness 纸箱厚度: 6~7mm

| Pin No.          | W  | S    | F     | T    | G    | B0    | REEL /PCS | CARTON /R | CARTON /PCS |
|------------------|----|------|-------|------|------|-------|-----------|-----------|-------------|
|                  |    |      |       |      |      |       |           |           |             |
| ZD1004WRS-2*12HF | 32 | 28.4 | 14.2  | 37.5 | 32.4 | 14.65 | 400       | 6         | 2400        |
| ZD1004WRS-2*15HF |    |      |       |      |      | 17.65 |           |           |             |
| ZD1004WRS-2*20HF | 44 | 40.4 | 20.20 | 49.5 | 44.4 | 22.65 | 400       | 5         | 2000        |
| ZD1004WRS-2*25HF |    |      |       |      |      | 27.65 |           |           |             |

| GENERAL TOLERANCE |       |          |             |        | PART NO. |  |       |       |     |        |
|-------------------|-------|----------|-------------|--------|----------|--|-------|-------|-----|--------|
| .X                | ±0.35 | APPROVAL | CHECK       | DRAWN  | DATE     | PPN: 1004WRS-2*XX-4TVXXXX<br>CTN: ZD1004WRS-2*XXHF |       |       |     |        |
| .XX               | ±0.25 |          |             |        |          | TITLE  |       |       |     |        |
| .XXX              | ±0.15 |          |             |        |          | 1.00mm Connectors 90° Packing                      |       |       |     |        |
| X°                | ±0.2° |          |             |        |          | UNIT   | SCALE | SHEET | REV | NUMBER |
| DATE              | REV   | ECN NO   | DESCRIPTION | MODIFY | APPROVAL | MM   | 1:1   | 1/1   | A0  | A-000  |

**GYA** 东莞市国亚电子有限公司  
Connectors Dong Guan Guo Ya Connectors co., Ltd.

Yangzhengguo Yangzhengyi Lviansheng 2016/08/26