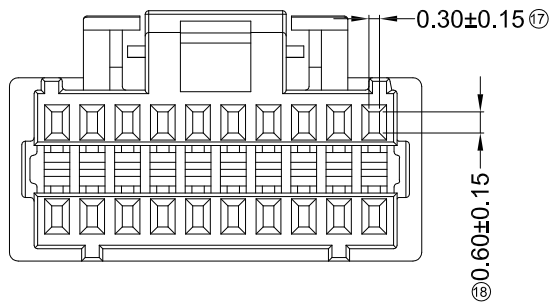
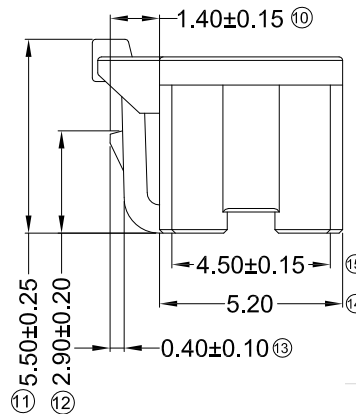
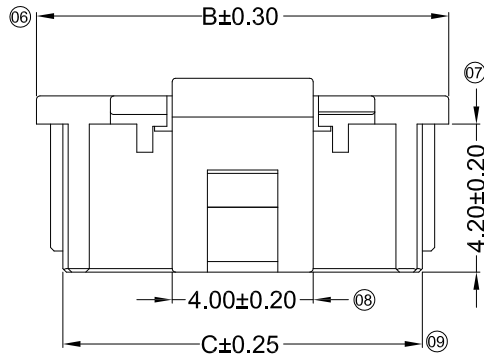
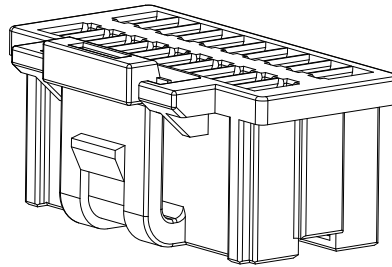
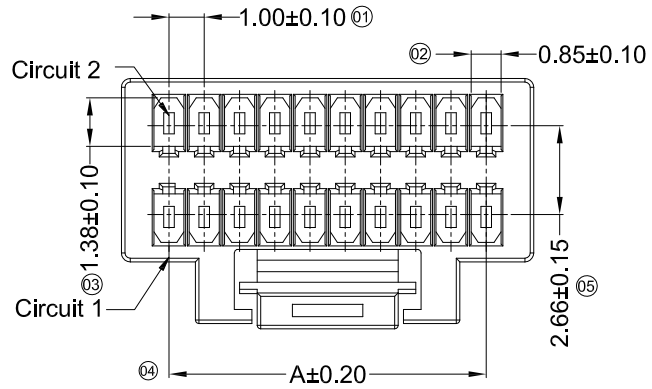


RoHS



Specifications :

- Voltage rating: 50V AC / DC
- Current rating: 1A AC / DC
- Withstanding voltage: 250V AC/minute
- Temperature range: -25° ~+85°
- Insulation resistance: ≥100MΩ
- Contact resistance: ≤20mΩ
- After environmental testing: ≤40mΩ
- Mates With GYA Terminal 1004T
- Mates With GYA Wafer 1004W

1004 H X-2\*XX X- N0 HF XX  
 ① ② ③ ④ ⑤ ⑥ ⑦ ⑧

- ① Series No.
- ② Category: H-HSG
- ③ Connector type: Blank-ordinary
- ④ Row No.-Pin No Per Row: 2xXX-Double row
- ⑤ Material: N0-PA66 94V-0
- ⑥ Color: B-Black N-Nature
- ⑦ RoHS/HF: H-Halogen-free R-Rohs
- ⑧ Color: Blank-Natural color BK-black

Poles	Dimensions (mm)		
	AB		C
2x10	9.00	11.70	10.30
2x12	11.00	13.70	12.30
2x15	14.00	16.70	15.30
2x20	19.00	21.70	20.30
2x25	24.00	26.70	25.30



DATE	REV	ECN NO	DESCRIPTION	MODIFY	APPROVAL
1					
2					
3					
4					
5					

GENERAL TOLERANCE	
.X	±0.35
.XX	±0.25
.XXX	±0.15
X.°	±2°
PROJECT	



东莞市国亚电子有限公司  
 Dong Guan Guo Ya Connectors co., Ltd.

APPROVAL	CHECK	DRAWN	DATE
Yangzhengguo	Yangzhengyi	Lvtiansheng	2016/08/26

PART NO. 1004H-2*XX-N0HFXX				
TITLE 1.00mm Crimp Style Connectors				
UNIT	SCALE	SHEET	REV	NUMBER
mm	1:1	1/1	A0	A-000



RoHS

Specifications :

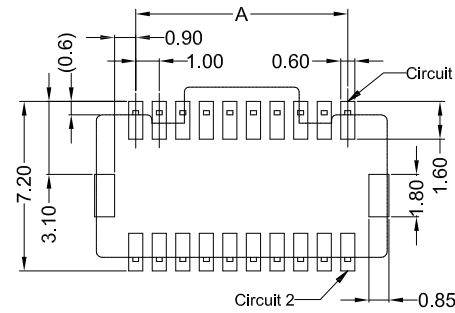
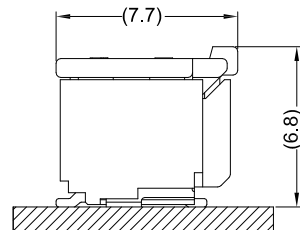
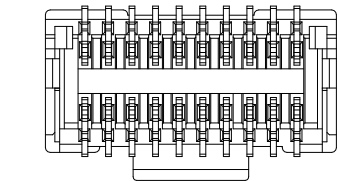
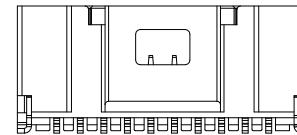
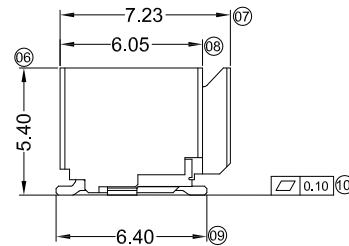
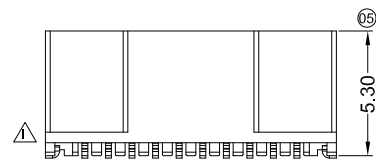
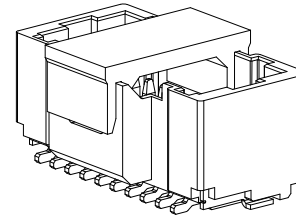
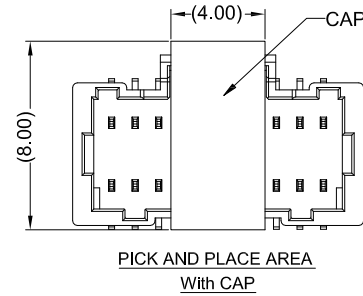
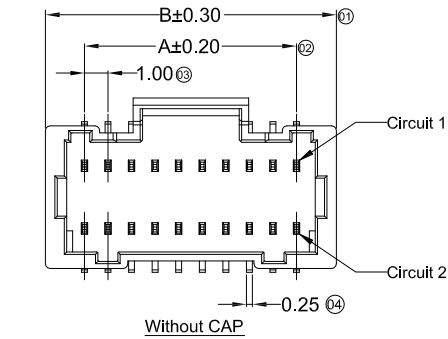
- Voltage rating: 50V AC / DC
- Current rating: 1.0A AC / DC
- Withstanding voltage: 250V AC/minute
- Temperature range: -25° ~+85°
- Insulation resistance: ≥100MΩ
- Contact resistance: ≤20mΩ
- After environmental testing: ≤30mΩ
- Material(Pin): Phosphor Bronze
- Material(Solder Tabs):Brass
- Material(CAP):LCP UL 94V-0 Black
- Finish(Solder Tabs): Matte Tin Plating
- Mates With GYA Housing: 1004H

1004 W V S-2\*XX X-4T VXX XX

① ② ③ ④ ⑤ ⑥ ⑦ ⑧ ⑨

- ① Series No.
- ② Category: W-wafer
- ③ Connector type: V-180°
- ④ Mounting type: S-SMT
- ⑤ Row No.-Pin No per row: 2\*XX-Double Row
- ⑥ Special No: Blank-Carrier Pitch=16mm A-Carrier Pitch=12mm
- ⑦ Material: 4T-PA4T 94V-0
- ⑧ Plating Code:  
V01-Pin Contact Area Gold flash; Solder Area: Gold flash  
V04-Pin Contact Area Gold 4u" Min. ; Solder Area: Gold flash.  
V15-Pin Contact Area Gold 15u" Min. ; Solder Area: Gold flash.  
Underplated Nickel 50u"Min.
- ⑨ Color: Blank-Natural Color ; BK-Black Color

Poles	Dimensions (mm)	
	A	B
2*10	9.00	12.35
2*12	11.00	14.35
2*14	13.00	16.35
2*15	14.00	17.35
2*20	19.00	22.35
2*25	24.00	27.35



Recommended P.C.B Layout  
General Tolerance±0.05

DATE	REV	ECN NO.	DESCRIPTION	MODIFY	APPROVAL
1					
2					
3					
4					

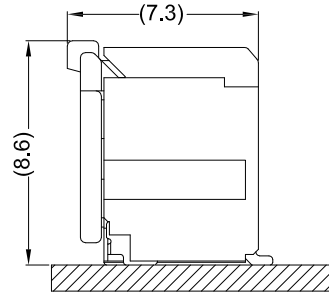
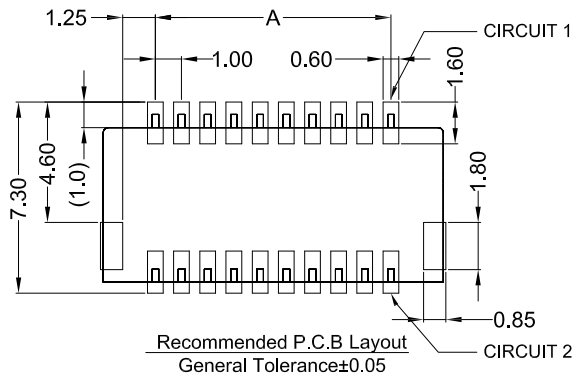
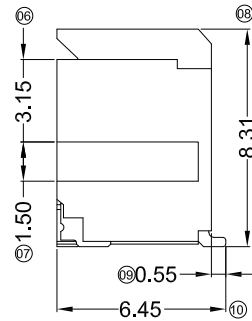
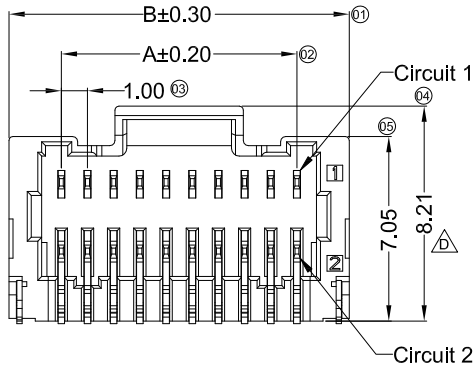
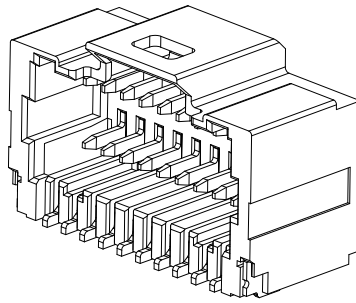
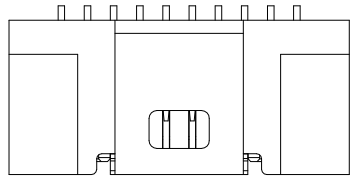
GENERAL TOLERANCE	
.X	±0.30
.XX	±0.20
.XXX	±0.10
X.°	±2°
PROJECT	
①	②

**GYA** 东莞市国亚电子有限公司  
Connectors Dong Guan Guo Ya Connectors co., Ltd.

APPROVAL	CHECK	DRAWN	DATE
Yangzhengguo	Yangzhengyi	Lvliansheng	2016/08/26

PART NO.				
1004WVS-2*XXX-4TVXXXX				
TITLE				
1.00mm Crimp Style Connector				
UNIT	SCALE	SHEET	REV	NUMBER
mm	1:1	1/1	A0	A-000

RoHS



■ Specifications :

- Voltage rating: 50V AC / DC
- Current rating: 1.0A AC / DC
- Withstanding voltage: 250V AC/minute
- Temperature range: -25° ~+85°
- Insulation resistance: ≥100MΩ
- Contact resistance: ≤20mΩ
- After environmental testing: ≤30mΩ
- Material(Pin): Phosphor Bronze
- Material(Solder Tabs):Brass
- Finish(Solder Tabs): Matte Tin Plating
- Mates With GYA Housing: 1004H

1004 W R S-2\*XX X-4T VXX XX

- ① ② ③ ④ ⑤ ⑥ ⑦ ⑧ ⑨
- ① Series No.
  - ② Category: W-wafer
  - ③ Connector type: R-Right Angle 90°
  - ④ Mouting type: S-SMT
  - ⑤ Row No.-Pin No per row: 2\*XX-Double row
  - ⑥ Special No.Blank-Carrier Pitch 16mm A-Carrier Pitch 12mm
  - ⑦ Material: 4T-PA4T 94V-0
  - ⑧ Plating code:  
V01-Pin Contact Area Gold flash. Solder Area: Gold flash.  
V15-Pin Contact Area Gold 15u" Min. Solder Area: Gold flash.  
V30-Pin Contact Area Gold 30u" Min. Solder Area: Gold flash.  
SW-Matte Tin  
Underplated Nickel 50u"Min.
  - ⑨ Color: Blank-Natural color ; BK-black



Poles	Dimensions (mm)	
	AB	
2*10	9.00	13.00
2*12	11.00	15.00
2*15	14.00	18.00
2*20	19.00	23.00
2*25	24.00	28.00

DATE	REV	ECN NO.	DESCRIPTION	MODIFY	APPROVAL	PROJECT	APPROVAL	CHECK	DRAWN	DATE	UNIT	SCALE	SHEET	REV	NUMBER
1						Yangzhengguo	Yangzhengyi	Lvliansheng		2016/08/26	mm	1:1	1/1	A0	GA-000

GENERAL TOLERANCE	
.X	±0.30
.XX	±0.20
.XXX	±0.10
X.°	±2°



东莞市国亚电子有限公司  
Dong Guan Guo Ya Connectors co., Ltd.

PART NO.  
1004WRS-2\*XXX-4TVXXXX

TITLE  
1.00mm Crimp Style Connectors