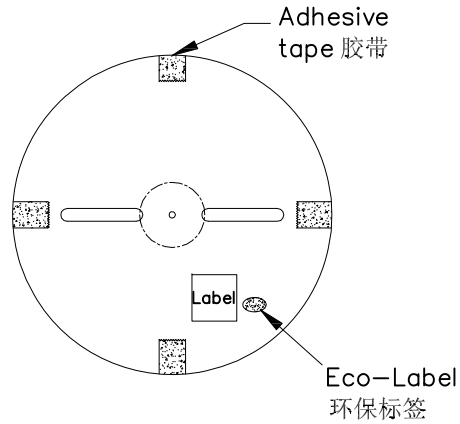


RoHS

包装图



Note 注解:

1.Quantity 数量:

15K PCS/REEL 一卷15K/PCS

10 REEL/BOX 一箱10卷

150K PCS/BOX 一箱150K/PCS

2.Each reel and outer box must be labeled and Eco-Label Respectively labeled

每盘和外箱都必须有标签及环保标签分别标示

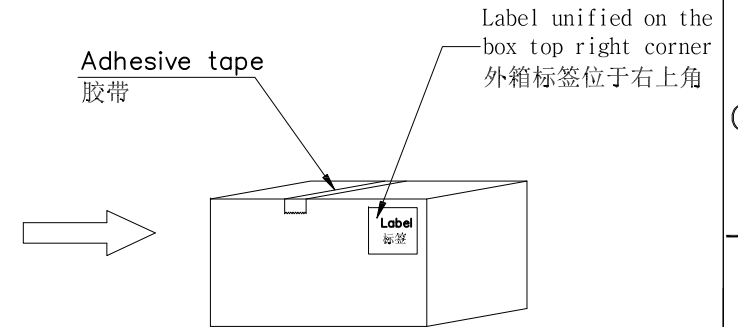
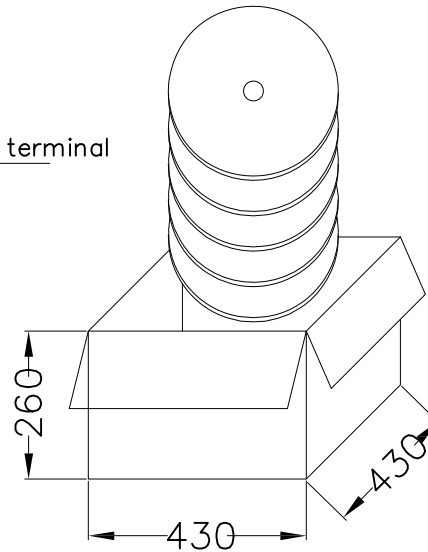
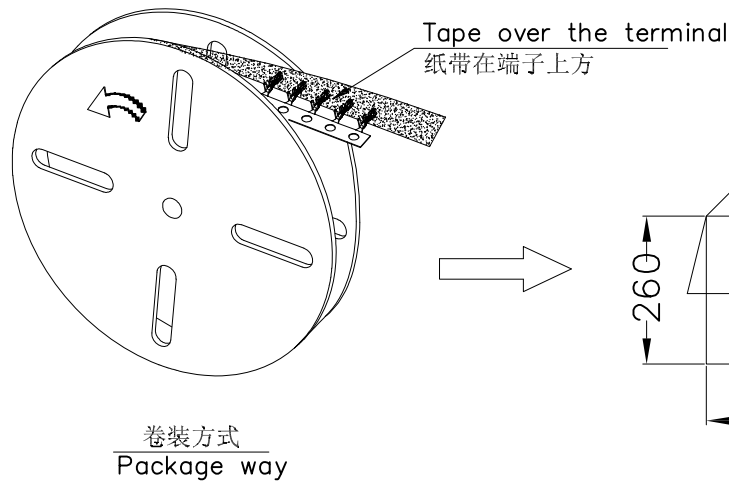
3.Terminal winding direction as shown
端子缠绕方向如左图所示

4.There shall be no dirt such as deformation phenomenon,
Mantissa box fillers must be used

每箱不可有脏污, 变形现象, 尾数箱必须用填充物

5.Cartn material: K=K, Cartn thickness: 6±1mm

纸箱材质: K=K, 纸箱厚度: 6~7mm



DATE	REV	ECN NO	DESCRIPTION	MODIFY	APPROVAL
1					
2					
3					
4					

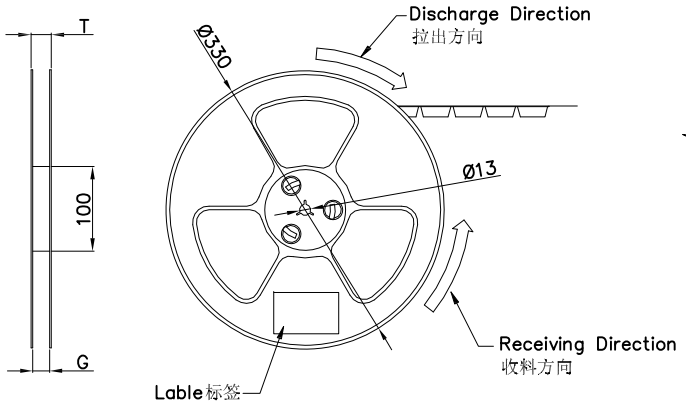
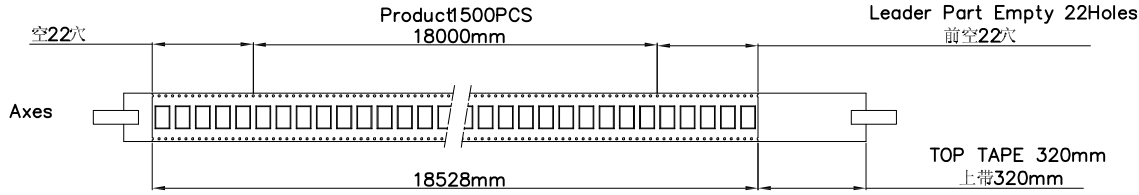
GENERAL TOLERANCE	
.X	±0.30
.XX	±0.20
.XXX	±0.10
X°	±0.2°



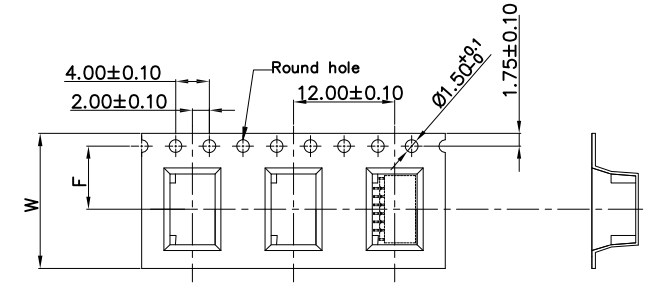
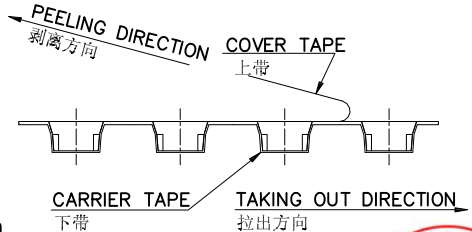
东莞市国亚电子有限公司
Dong Guan Guo Ya Connectors co., Ltd.

APPROVAL	CHECK	DRAWN	DATE
Yangzhengguo	Yangzhengyi	Lvtiansheng	2016/08/26

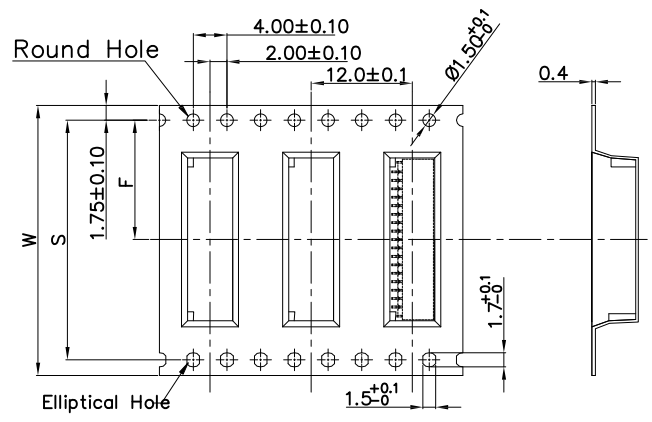
PARTNO. 1002T-PXX				
TITLE 1.00mm Terminal Packing				
UNIT	SCALE	SHEET	REV	NUMBER
mm	1:1	1/1	A0	A-014



COVER TAPE PEEL STRENGTH: 20~120g
 上带剥离力量20~120g
 速度 PEEL SPEED: 300mm/minute

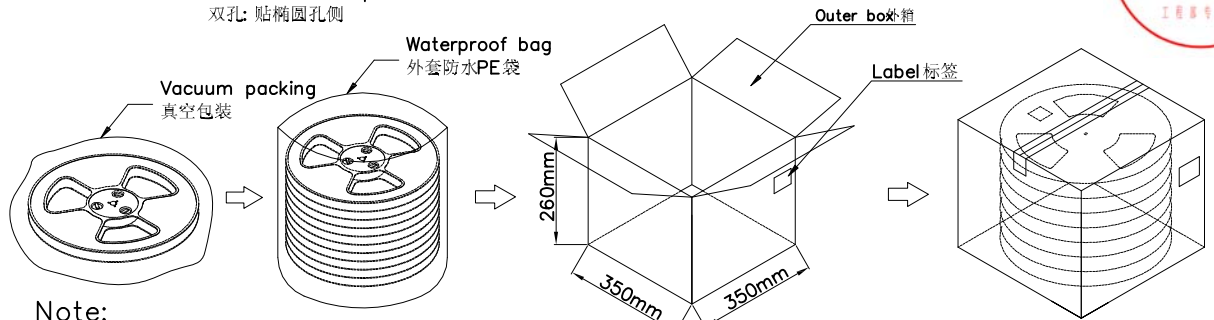


WIDTH=16~24mm



WIDTH=32~44mm

Single hole: None Hole Side
 单孔: 贴无链孔侧
 Double hole: Elliptical Hole Side
 双孔: 贴椭圆孔侧



- Note:**
- Carrier Camber is Within 1mm In 100mm ; 带长100mm 内容许弯曲度1mm
 - 10 Sprocket Hole Pitch Cumulative Tolerance±0.2MM ; 圆孔十个孔距高累计允许公差为±0.2mm
 - Carrier tape material for PS ; 下带材质为PS材质; Color 颜色: Natural 透明色
 - bracer 保护带: Color 颜色: Natural 透明色, 厚度0.40mm 最小
 - Thickness=0.40±0.05 ; 材料厚度为0.40±0.05mm
 - Carton material 纸箱材质: K=K; Carton Thickness 纸箱厚度: 6~7mm

Part No.	W	S	F	T (MAX)	G (MAX)	REEL /PCS	CARTON /R	CARTON /PCS
ZD1002WRS-02EHF	16	/	7.50	22.50	16.50	1500	11R	16500
ZD1002WRS-03EHF								
ZD1002WRS-04EHF								
ZD1002WRS-05EHF								
ZD1002WRS-06EHF								
ZD1002WRS-07EHF	24	/	11.50	30.50	24.50	1500	8R	12000
ZD1002WRS-08EHF								
ZD1002WRS-09EHF								
ZD1002WRS-10EHF								
ZD1002WRS-11EHF								
ZD1002WRS-12EHF	32	28.40	14.20	38.50	32.50	1500	6R	9000
ZD1002WRS-13EHF								
ZD1002WRS-14EHF								
ZD1002WRS-15EHF								
ZD1002WRS-16EHF								

GENERAL TOLERANCE	
.X	±0.30
.XX	±0.20
.XXX	±0.10
X.	±0.2°

GYA 东莞市国亚电子有限公司
 Connectors Dong Guan Guo Ya Connectors co., Ltd.

PARTNO. PPN: 1002WRS-XXE-XXXX
 CTN: ZD1002WRS-XXEHF

APPROVAL	CHECK	DRAWN	DATE
Yangzhengguo	Yangzhengyi	Lvtiansheng	2016/08/26

TITLE: 1.00mm Connectors SMT 90° Packing

UNIT	SCALE	SHEET	REV	NUMBER
mm	1:1	1/1	F	A-106

DATE	REV	ECN NO	DESCRIPTION	MODIFY	APPROVAL
1					
2					
3					
4					