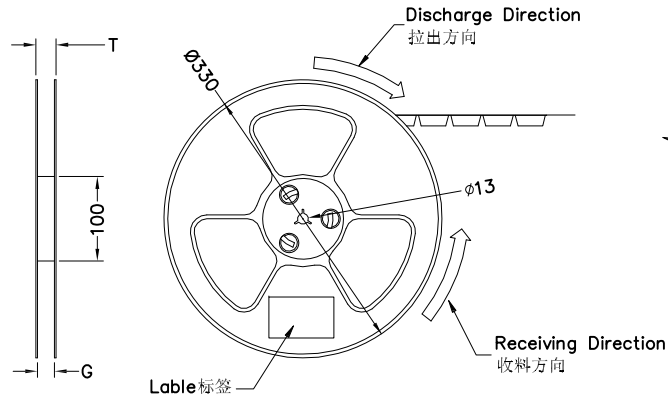
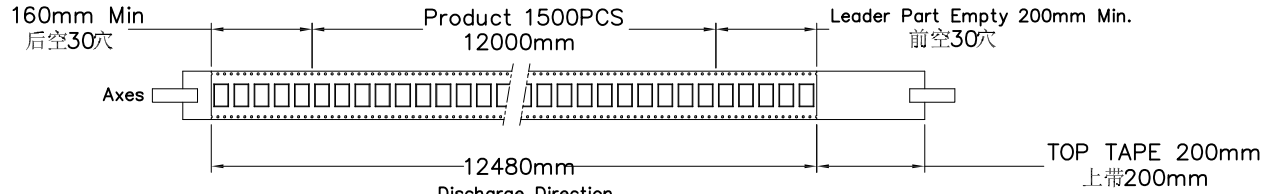
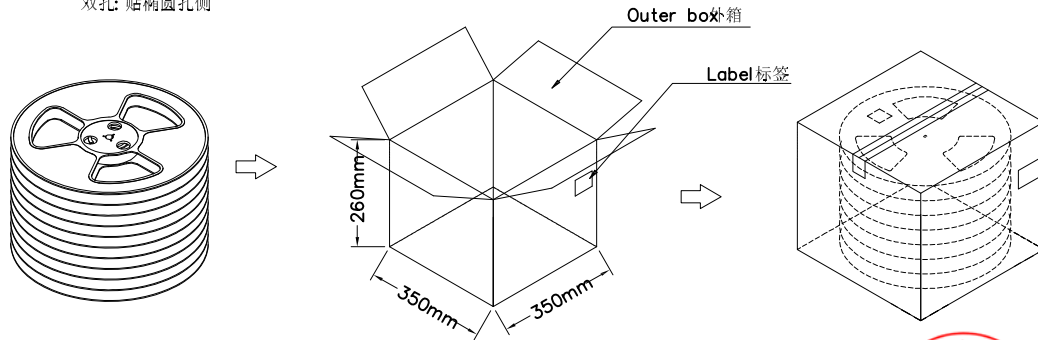


RoHS 包装图

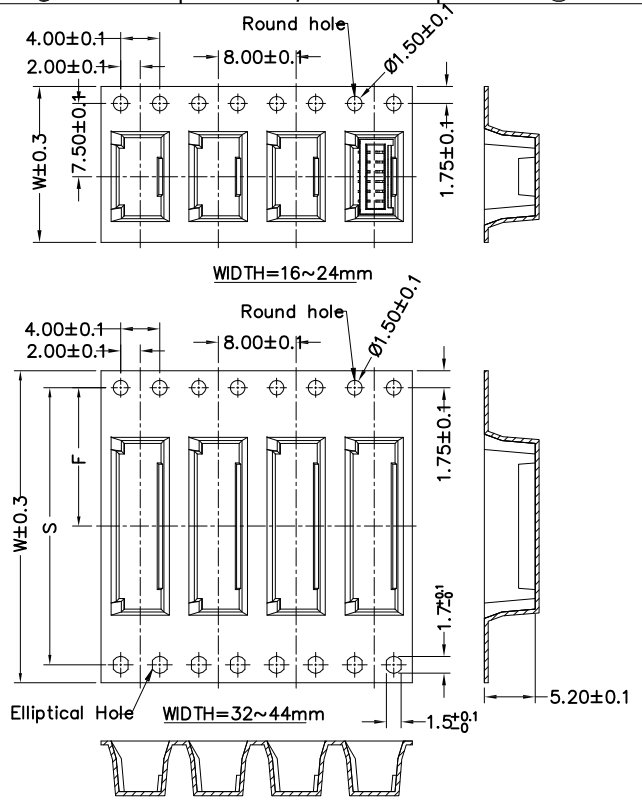


Single hole: None Hole Side  
单孔: 贴无键孔侧  
Double hole: Elliptical Hole Side  
双孔: 贴椭圆孔侧



Note:

- Carrier Camber Is Within 1mm In 100mm ; 带长100mm 内容许弯曲度1mm
- 10 Sprocket Hole Pitch Cumulative Tolerance±0.2MM ; 圆孔十个孔距离累计允许公差为±0.2mm
- Carrier tape material for PS ; 下带材质为PS材质; Color 颜色: Natural 透明色
- bracer 保护带; Color 颜色: Natural 透明色, 厚度0.40mm 最小
- Thickness=0.40±0.05 ; 材料厚度为0.40±0.05mm
- Carton material 纸箱材质: K=K; Carton Thickness 纸箱厚度: 6~7mm



Part No.	W	S	F	T (MAX)	G(MAX)	REEL /PCS	CARTON /R	CARTON /PCS
ZD1002WVS-02BHF	16	/	7.50	20.50	16.40	1500	11R	16.5K
ZD1002WVS-03BHF								
ZD1002WVS-04BHF								
ZD1002WVS-05BHF								
ZD1002WVS-06BHF								
ZD1002WVS-07BHF								
ZD1002WVS-08BHF	24	/	11.50	28.50	24.40	1500	8R	12K
ZD1002WVS-09BHF								
ZD1002WVS-10BHF								
ZD1002WVS-11BHF								
ZD1002WVS-12BHF								
ZD1002WVS-13BHF								
ZD1002WVS-14BHF	32	28.40	14.20	36.50	32.40	1500	6R	9K
ZD1002WVS-15BHF								
ZD1002WVS-16BHF								
ZD1002WVS-17BHF								
ZD1002WVS-18BHF								
ZD1002WVS-19BHF								
ZD1002WVS-20BHF	44	40.40	20.20	48.50	44.40	1500	5R	7.5K
ZD1002WVS-19BHF								
ZD1002WVS-20BHF								

DATE	REV	ECN NO.	DESCRIPTION	MODIFY	APPROVAL
1					
2					
3					
4					

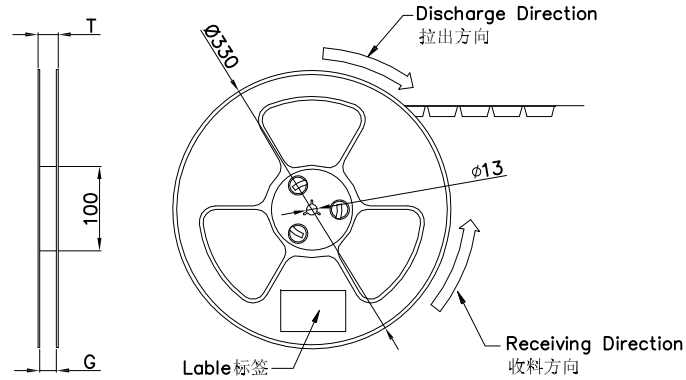
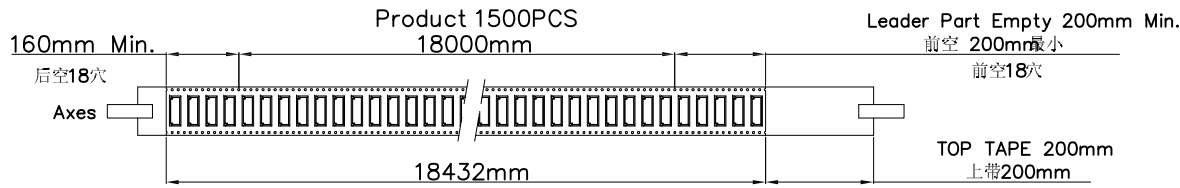
GENERAL TOLERANCE	
.X	±0.30
.XX	±0.20
.XXX	±0.10
X.	±0.2°



东莞市国亚电子有限公司  
Dong Guan Guo Ya Connectors co., Ltd.

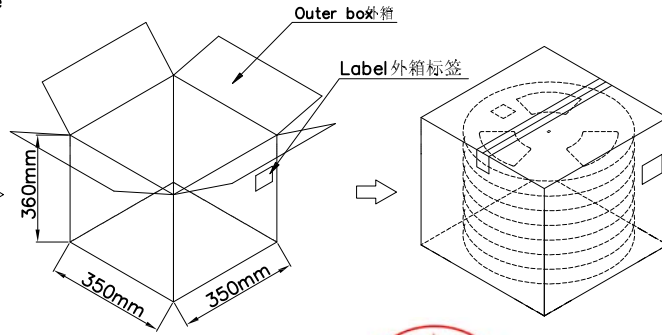
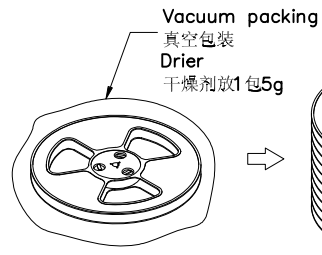
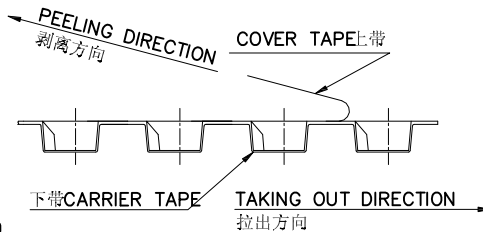
APPROVAL	CHECK	DRAWN	DATE
Yangzhengguo	Yangzhengyi	Lvtiansheng	2016/08/26

PART NO. :				
PPN: 1002WVS-XXBX-XXXX CTN: ZD1002WVS-XXBHF				
TITLE :				
1.00mm Connectors SMT 180° Package				
UNIT	SCALE	SHEET	REV	NUMBER
mm	1:1	1/1	A0	A-106

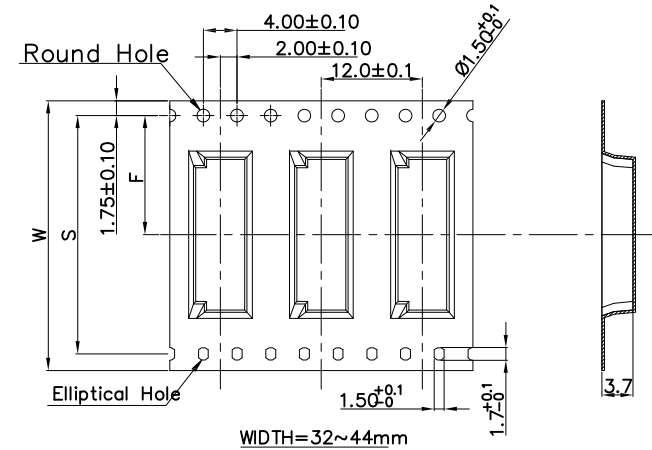
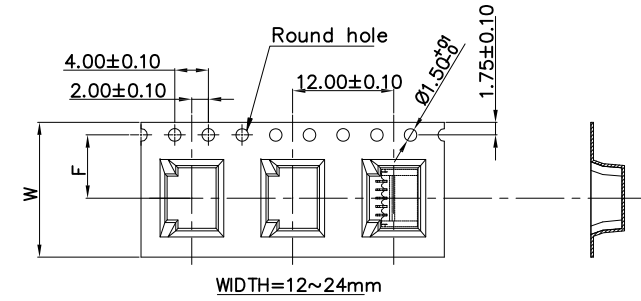


Single hole: None Hole Side  
 单孔: 贴无链孔侧  
 Double hole: Elliptical Hole Side  
 双孔: 贴椭圆孔侧

COVER TAPE PEEL STRENGTH: 20~120g  
 上带剥离力量: 20~120g  
 速度 PEEL SPEED: 300mm/minute



- Note:**
- Carrier Camber Is Within 1mm In 100mm ; 带长100mm 内容许弯曲度1mm
  - 10 Sprocket Hole Pitch Cumulative Tolerance±0.2MM ; 圆孔十个孔距距离累计允许公差为±0.2mm
  - Material for PS ; 材质为PS材质 ; Color 颜色: Natural 透明色
  - bracer 保护带; Color 颜色: Natural 透明色
  - Thickness=0.30±0.05 ; 材料厚度为 0.30±0.05mm
  - Carton material 纸箱材质: K=K; Carton Thickness 纸箱厚度: 6~7mm



Part No.	W	S	F	T (MAX)	G(MAX)	Cover Tape (Color) (上带(W))	Carrier Tape (Color) (下带(颜色))	REEL /PCS	CARTON /R	CARTON /PCS
ZD1002WRS-02HF	12	/	4.50	16.50	12.40	9.3		1500	21R	31.5K
ZD1002WRS-03HF										
ZD1002WRS-04HF										
ZD1002WRS-05HF	16	/	7.50	20.50	16.40	13.3		1500	17R	25.5K
ZD1002WRS-06HF										
ZD1002WRS-07HF										
ZD1002WRS-08HF										
ZD1002WRS-09HF										
ZD1002WRS-XXBX 1002WRS-XXBX-XXXX	24	/	11.50	28.50	24.40	21.3	透明色	1500	12R	18K
ZD1002WRS-10HF										
ZD1002WRS-11HF										
ZD1002WRS-12HF										
ZD1002WRS-13HF										
ZD1002WRS-14HF										
ZD1002WRS-15HF										
ZD1002WRS-16HF	32	28.40	14.20	36.50	32.40	25.5		1500	9R	13.5K
ZD1002WRS-17HF										
ZD1002WRS-18HF										
ZD1002WRS-19HF										
ZD1002WRS-20HF	44	40.40	20.20	48.50	44.40	37.5		1500	7R	10.5K

DATE	REV	ECN NO.	DESCRIPTION	MODIFY	APPROVAL
1					
2					
3					
4					
5					

GENERAL TOLERANCE	
.X	±0.30
.XX	±0.20
.XXX	±0.10
X.	±0.2°



东莞市国亚电子有限公司  
 Dong Guan Guo Ya Connectors co., Ltd.

APPROVAL	CHECK	DRAWN	DATE
Yangzhengguo	Yangzhengyi	Lvtiansheng	2016/08/26

PART NO. : PPN: 1002WRS-XXBX-XXXX  
 CTN: ZD1002WRS-XXBXHF

TITLE :				
1.00mm Connectors SMT 90° Packing				
UNIT	SCALE	SHEET	REV	NUMBER
mm	1:1	1/1	A0	A-000