

RoHS

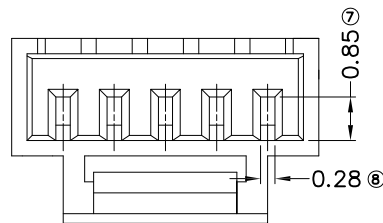
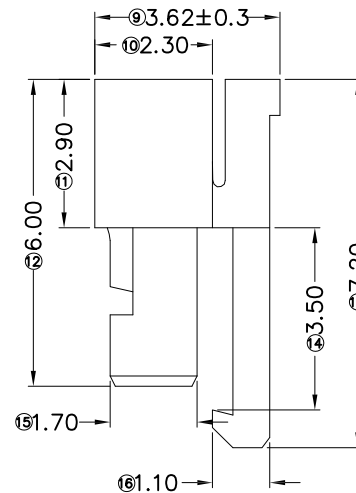
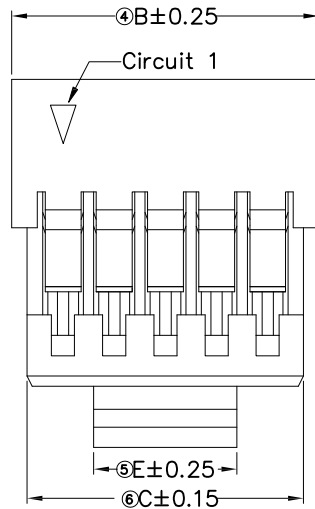
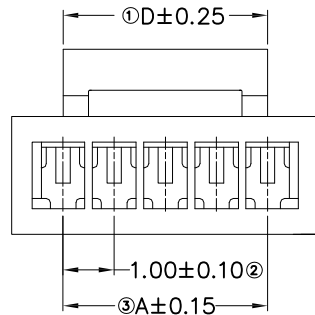


■ Specifications :

- Voltage rating: 125 AC / DC
- Current rating: 1A AC / DC
- Withstanding voltage: 500V AC/minute
- Temperature range: -25° ~ +85°
- Insulation resistance: ≥100MΩ
- Contact resistance: ≤20mΩ
- After environmental testing: ≤40mΩ
- Suitable GYA Terminal: 1002T-A
- Suitable GYA Wafer: 1002W-B

1002 H -1xXX-N0 N B H 01 F
 ① ② ③ ④ ⑤ ⑥ ⑦ ⑧ ⑨

- ① SeriesNo.
- ② Category: H-HSG
- ③ Row No.-Pin No per row: XX-02P~20P
- ④ Plastic material: N0-PA66 94V-0
- ⑤ Color: N-Natural Color
- ⑥ Packing: B-Bag
- ⑦ RoHS/HF Code: H-Halogen-free
- ⑧ Water code: 01
- ⑨ Special code: F-Other Connectors

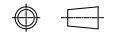


Poles	Dimensions(mm)					Poles	Dimensions(mm)				
	A	B	C	D	E		A	B	C	D	E
02	1.00	3.00	2.40	3.00	1.80	10	9.00	11.00	10.40	6.00	4.80
03	2.00	4.00	3.40	3.00	1.80	11	10.00	12.00	11.40	6.00	4.80
04	3.00	5.00	4.40	4.00	2.80	12	11.00	13.00	12.40	6.00	4.80
05	4.00	6.00	5.40	4.00	2.80	13	12.00	14.00	13.40	6.00	4.80
06	5.00	7.00	6.40	4.00	2.80	14	13.00	15.00	14.40	6.00	4.80
07	6.00	8.00	7.40	4.00	2.80	15	14.00	16.00	15.40	6.00	4.80
08	7.00	9.00	8.40	4.00	2.80	16	15.00	17.00	16.40	6.00	4.80
09	8.00	10.00	9.40	4.00	2.80						

GENERAL TOLERANCE

.X	±0.30
.XX	±0.20
.XXX	±0.10
X.*	±2°

PROJECT



东莞市国亚电子有限公司
 Dong Guan Guo Ya Connectors co., Ltd.

PARTNO.

1002H-1xXX-NONBH01F

TITLE

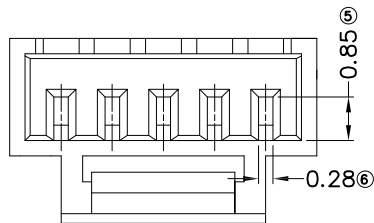
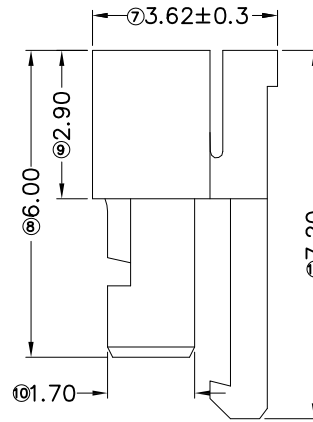
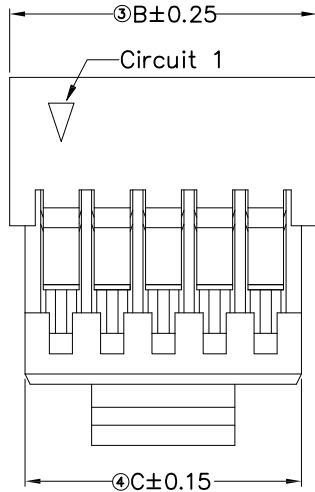
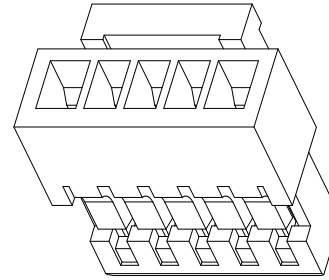
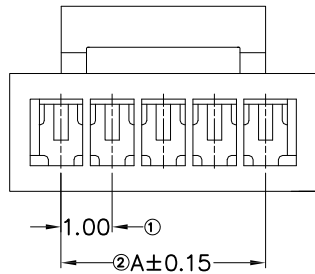
1.00 mm Crimp Style Connectors

APPROVAL	CHECK	DRAWN	DATE
Yangzhengguo	Yangzhengyi	Lvtiansheng	2016/08/26

UNIT	SCALE	SHEET	REV	NUMBER
mm	1:1	1/1	A0	A-241

DATE	REV	ECN NO	DESCRIPTION	MODIFY	APPROVAL
1					
2					
3					
4					
5					

RoHS



Specifications

- Voltage rating: 125 AC / DC
- Current rating: 1A AC / DC
- Withstanding voltage: 500V AC/minute
- Temperature range: -25° ~ +85°
- Insulation resistance: ≥100MΩ
- Contact resistance: ≤20mΩ
- After environmental testing: ≤40mΩ
- Suitable GYA Terminal: 1002T-A
- Mates GYA Wafer: 1002T-B

1002 H -XX B2-N0 XX HF

① ② ③ ④ ⑤ ⑥ ⑦

- ① SeriesNo.
- ② Category: H-HSG
- ③ RowNo.-Pin No per row: XX-02P~20P
- ④ SpecialNo.: B2-Ultra-thin hook
- ⑤ Material N0-PA66 94V-0
- ⑥ Color: Blank-Natural Color
- ⑦ RoHS/HF Code: HF-Halogen Free

Poles	Dimensions(mm)			Poles	Dimensions(mm)		
	A	B	C		A	B	C
02	1.00	3.00	2.40	12	11.00	13.00	12.40
03	2.00	4.00	3.40	13	12.00	14.00	13.40
04	3.00	5.00	4.40	14	13.00	15.00	14.40
05	4.00	6.00	5.40	15	14.00	16.00	15.40
06	5.00	7.00	6.40	16	15.00	17.00	16.40
07	6.00	8.00	7.40	17	16.00	18.00	17.40
08	7.00	9.00	8.40	18	17.00	19.00	18.40
09	8.00	10.00	9.40	19	18.00	20.00	19.40
10	9.00	11.00	10.40	20	19.00	21.00	20.40
11	10.00	12.00	11.40				



GENERAL TOLERANCE

.X ±0.30

.XX ±0.20

.XXX ±0.10

X.* ±2°

PROJECT

⊕ ⊖



东莞市国亚电子有限公司

Dong Guan Guo Ya Connectors co., Ltd.

APPROVAL

CHECK

DRAWN

DATE

Yangzhengguo

Yangzhengyi

Lvtiansheng

2016/08/26

PARTNO.

1002H-XXB2-N0HF

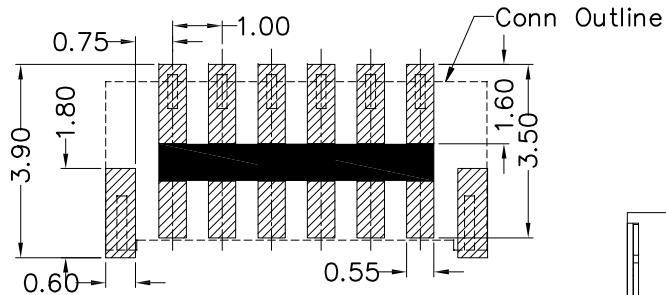
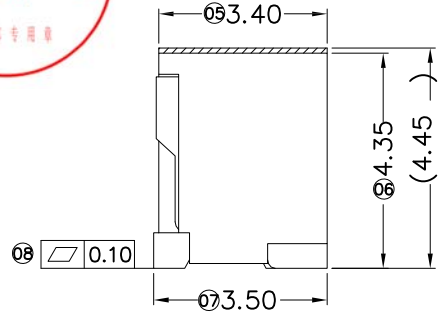
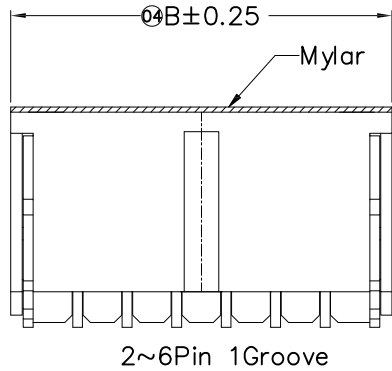
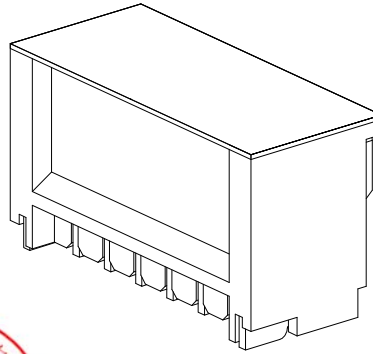
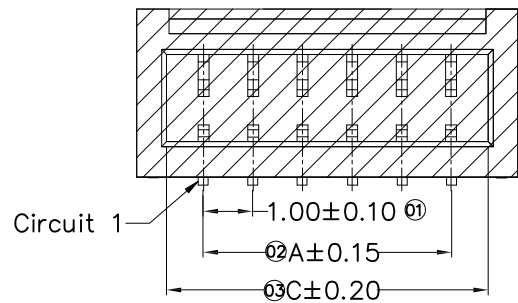
TITLE

1.00 mm Crimp Style Connectors

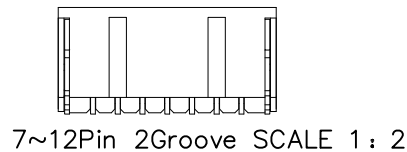
UNIT	SCALE	SHEET	REV	NUMBER
mm	1:1	1/1	A0	A-000

DATE	REV	ECN NO	DESCRIPTION	MODIFY	APPROVAL
1					
2					
3					
4					
5					

RoHS



Recommended P.C.B Layout
General Tolerance±0.05



■ Specifications :

- Voltage rating: 125V AC / DC
- Current rating: 1A AC / DC
- Withstanding voltage: 500V AC/minute
- Temperature range: -25° ~+85°
- Insulation resistance: ≥100MΩ
- Contact resistance: ≤20mΩ
- After environmental testing: ≤40mΩ
- Material(Pin And Solder Tabs): Phosphor bronze
- Finish(Solder Tabs): Matte Tin Plating
- Mates With GYA Housing:1002H-B

1002 W V S-XX B HF-9T SW XX W
① ② ③ ④ ⑤ ⑥ ⑦ ⑧ ⑨ ⑩

- ① Series No.
- ② Category : W-wafer
- ③ Connector type: V-Stright Angle 180°
- ④ Mounting type: S-SMT
- ⑤ Row No.-Pin No per row: XX-02P~20P
- ⑥ Special No:
B-With ultra-thin and With Lock;
HF-Halgen Free
- ⑦ Plastic Material : 9T-PA9T 94V-0
- ⑧ Planting Code: SW-Matte Tin plating
- ⑨ Color: Blank-Natural color
- ⑩ Packing : W-Reel with Mylar

Poles	Dimensions(mm)			Poles	Dimensions(mm)		
	A	B	C		A	B	C
02	1.00	3.70	2.50	12	11.00	13.70	12.50
03	2.00	4.70	3.50	13	12.00	14.70	13.50
04	3.00	5.70	4.50	14	13.00	15.70	14.50
05	4.00	6.70	5.50	15	14.00	16.70	15.50
06	5.00	7.70	6.50	16	15.00	17.70	16.50
07	6.00	8.70	7.50	17	16.00	18.70	17.50
08	7.00	9.70	8.50	18	17.00	19.70	18.50
09	8.00	10.70	9.50	19	18.00	20.70	19.50
10	9.00	11.70	10.50	20	19.00	21.70	20.50
11	10.00	12.70	11.50				

DATE	REV	ECN NO	DESCRIPTION	MODIFY	APPROVAL
1					
2					
3					
4					
5					

GENERAL TOLERANCE	
.X	±0.30
.XX	±0.20
.XXX	±0.10
X.*	±2°
PROJECT	
⊕	⊖

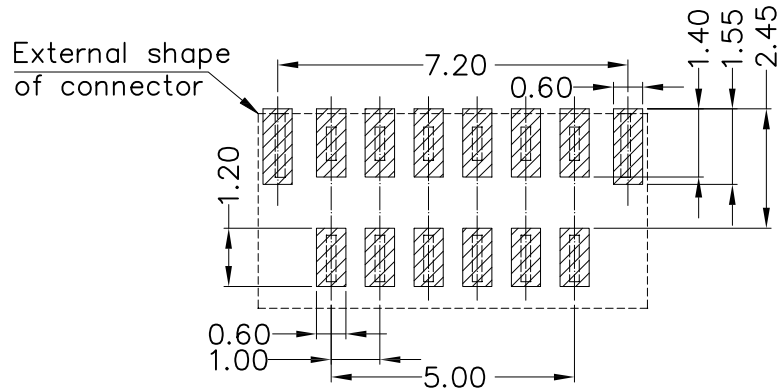
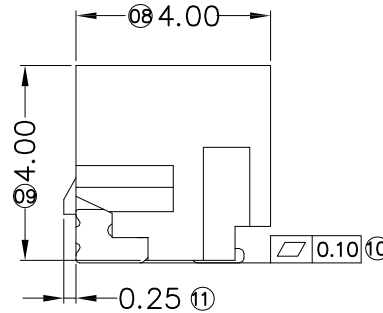
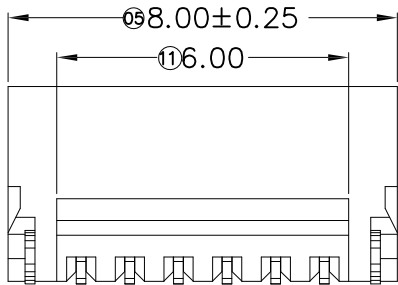
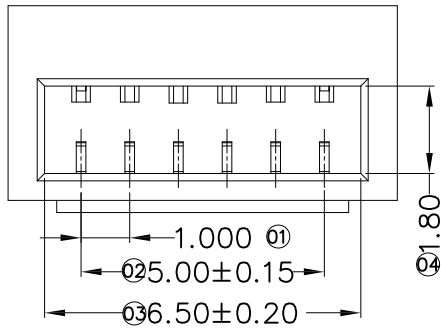


东莞市国亚电子有限公司
Dong Guan Guo Ya Connectors co., Ltd.

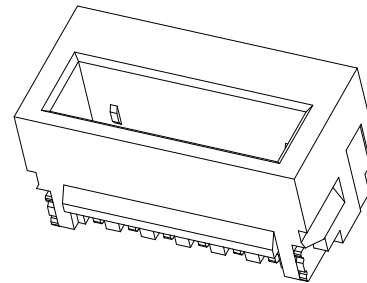
APPROVAL	CHECK	DRAWN	DATE
Yangzhengguo	Yangzhengyi	Lvtiansheng	2016/08/26

PARTNO.				
1002WVS-XXBHF-9TSWW				
TITLE				
1.00 mm Crimp Style Connectors				
UNIT	SCALE	SHEET	REV	NUMBER
mm	1:1	1/1	A0	A-229

RoHS



Recommended P.C.B Layout
General Tolerance±0.05



■ Specifications :

- Voltage rating: 125V AC / DC
- Current rating: 1A AC / DC
- Withstanding voltage: 500V AC/minute
- Temperature range: -25° ~+85°
- Insulation resistance: ≥100MΩ
- Contact resistance: ≤20mΩ
- After environmental testing : ≤40mΩ
- Material(Pin):Phosphor Bronze
- Material(Solder Tabs):Brass
- Finish(Solder Tabs):Matte Tin plating
- Mates With GYA Housing:1002H-B

1002 W V S-06 J -6T SW XX
① ② ③ ④ ⑤ ⑥ ⑦ ⑧ ⑨

- ① Series No.
- ② Category : W-wafer
- ③ Connector type: V-Stright Angle 180°
- ④ Mouting type: S-SMT
- ⑤ Row No.-Pin No per row: 06-06P
- ⑥ Special No: J-With Lock
- ⑦ Material : 6T-PA6T UL 94V-0;
- ⑧ Planting Code:
SW-Matte Tin plating 70u"Min. ;30u" Ni Min.
- ⑨ Color: Blank-Natural color

					GENERAL TOLERANCE .X ±0.30 .XX ±0.20 .XXX ±0.10 X.* ±2° PROJECT 		GYA 东莞市国亚电子有限公司 Connectors Dong Guan Guo Ya Connectors co., Ltd.		PARTNO. 1002WVS-06J-6TSW TITLE 1.00mm Crimp Style Connectors					
DATE	REV	ECN NO	DESCRIPTION	MODIFY	APPROVAL	APPROVAL	CHECK	DRAWN	DATE	UNIT	SCALE	SHEET	REV	NUMBER
1						Yangzhengguo	Yangzhengyi	Lvtiansheng	2016/08/26	mm	1:1	1/1	A0	A-000