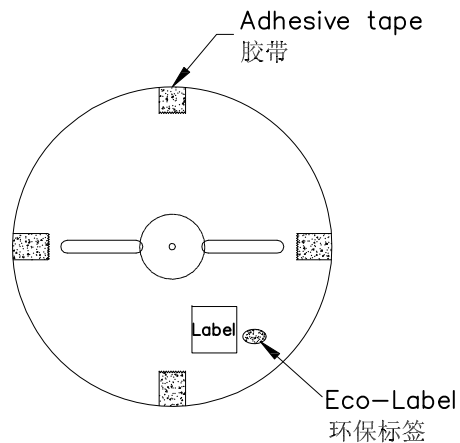


RoHS

包装图



Note 注解:

1.Quantity 数量:

20K PCS/REEL 一卷20K/PCS

10 REEL/BOX 一箱10卷

200K PCS/BOX 一箱200K/PCS

2.Each reel and outer box must be labeled and Eco-Label Respectively labeled

每盘和外箱都必须有标签及环保标签分别标示

3.Terminal winding direction as shown

端子缠绕方向如左图所示

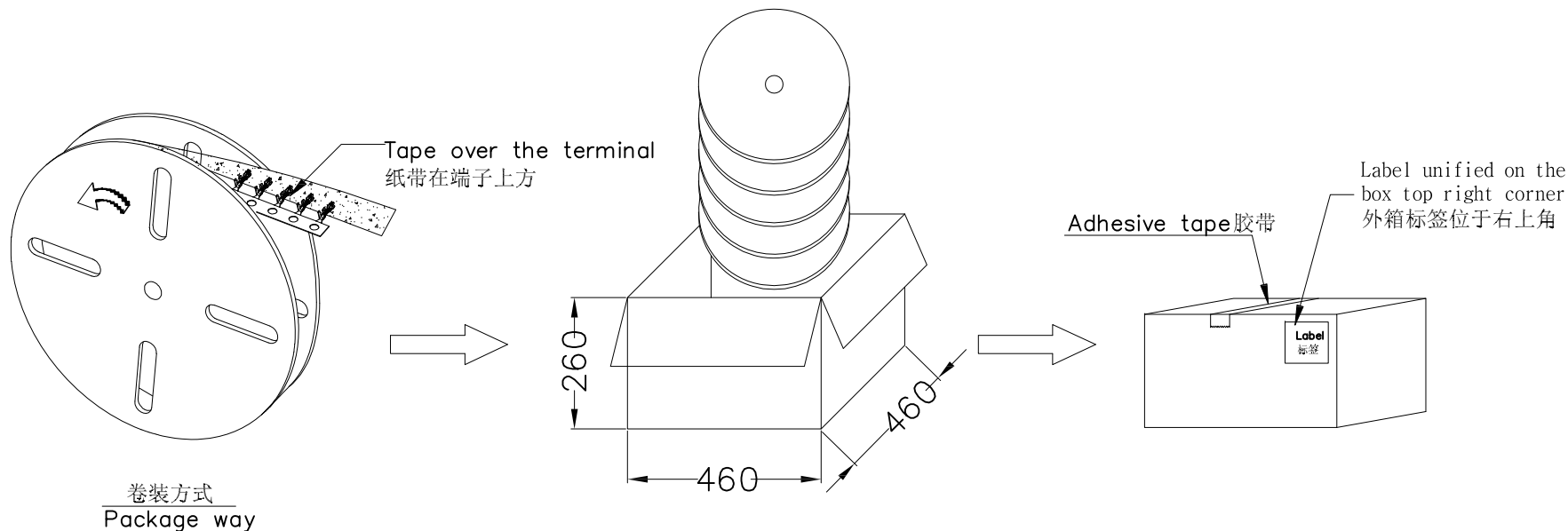
4.There shall be no dirt such as deformation phenomenon,

Mantissa box fillers must be used

每箱不可有脏污, 变形现象, 尾数箱必须用填充物

5.Carton material : K=K, Carton thickness : 6±1mm

纸箱材质: K=K 纸箱厚度: 6~7mm



DATE	REV	ECN NO.	DESCRIPTION	MODIFY	APPROVAL
1					
2					
3					
4					

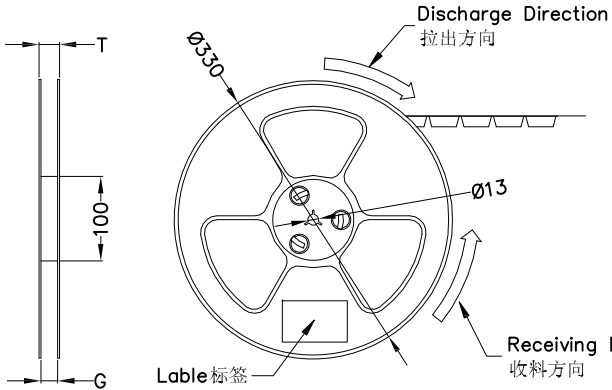
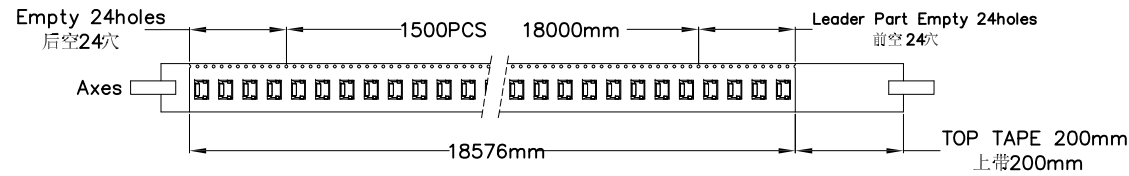
GENERAL TOLERANCE	
.X	±0.30
.XX	±0.20
.XXX	±0.10
X°	±0.2°



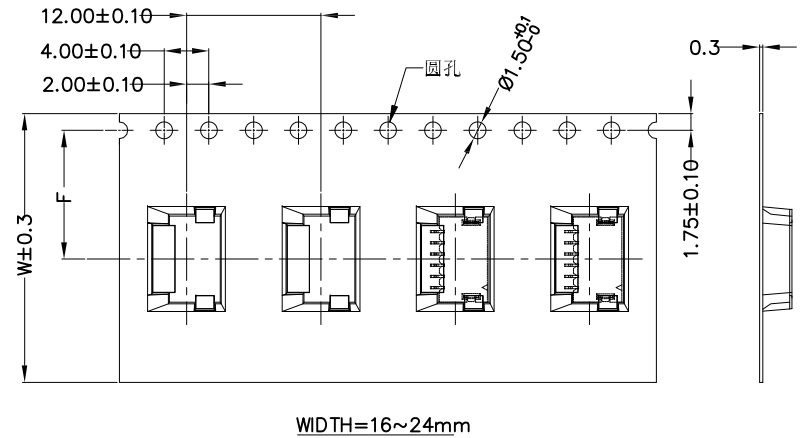
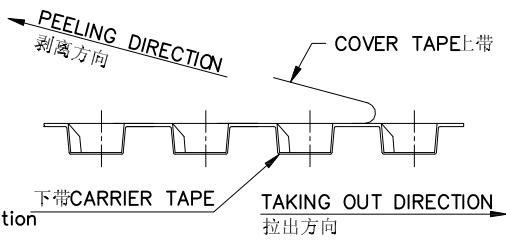
东莞市国亚电子有限公司
Dong Guan Guo Ya Connectors co., Ltd.

APPROVAL	CHECK	DRAWN	DATE
Yangzhengguo	Yangzhengyi	Lvtiansheng	2016/08/26

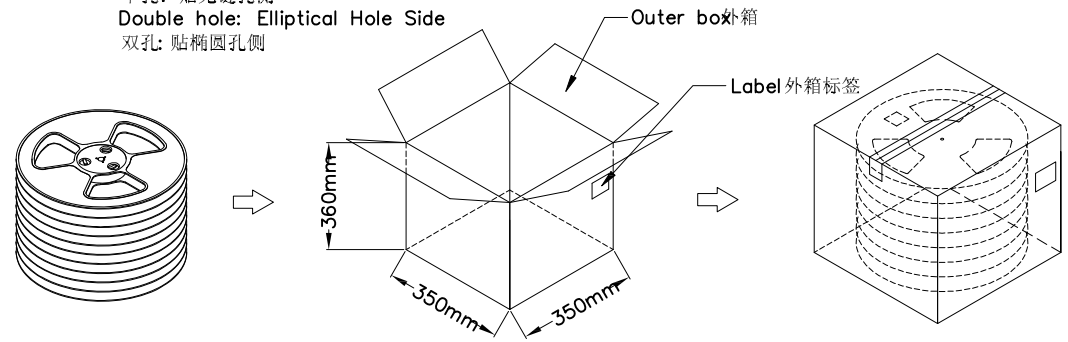
PART NO. : 1002T-PXX-A				
TITLE : 1.00 mm Terminal Packing				
UNIT	SCALE	SHEET	REV	NUMBER
mm	1:1	1/1	A0	A-014



COVER TAPE PEEL STRENGTH: 20~120g
 上带剥离力量: 20~120g
 速度 PEEL SPEED: 300mm/minute



Single hole: None Hole Side
 单孔: 贴无链孔侧
 Double hole: Elliptical Hole Side
 双孔: 贴椭圆孔侧



- Note:
- Carrier Camber Is Within 1mm In 100mm ; 带长100mm 内容许弯曲度1mm
 - 10 Sprocket Hole Pitch Cumulative Tolerance±0.2MM ; 圆孔十个孔距离累计允许公差为±0.2mm
 - Material for PS ; 材质为PS材质 ; Color 颜色: Natural 透明色
 - bracer 保护带: Color 颜色: Natural 透明色
 - Thickness=0.30±0.05 ; 材料厚度为0.30±0.05mm
 - Carton material 纸箱材质: K=K; Carton Thickness 纸箱厚度: 6~7mm

	Part No.	W	S	F	T (MAX)	G(MAX)	REEL	CARTON	CARTON
							/PCS	/R	/PCS
ZD1002WRS-XXAHF 1002WRS-XXA-9TSN	ZD1002WRS-02AHF	16	/	7.50	20.50	16.40	1500	17R	25.5K
	ZD1002WRS-03AHF								
	ZD1002WRS-04AHF								
	ZD1002WRS-05AHF	24	/	11.50	28.50	24.40	1500	12R	18K
ZD1002WRS-06AHF									

						GENERAL TOLERANCE				PART NO. : PPN: 1002WRS-XXA-9TSN CTN: ZD1002WRS-XXAHF			
						.X	±0.30			TITLE : 1.00mm Connectors SMT 90° Packing			
						.XX	±0.20			UNIT SCALE SHEET REV NUMBER			
						.XXX	±0.10			mm 1:1 1/1 A0 A-229			
						X°	±0.2°			APPROVAL CHECK DRAWN DATE			
DATE	REV	ECN NO.	DESCRIPTION	MODIFY	APPROVAL	Yangzhengguo Yangzhengyi Lviansheng 2016/08/26							
1	2	3	4	5	6	7	8	9	10	11	12	13	14